



T&S BRASS AND BRONZE WORKS, INC.

2 Saddleback Cove / P.O. Box 1088
Travelers Rest, SC 29690



REG. #A2601
ISO #9001

Model No.

B-1121

Item No.

Travelers Rest, SC: 800-476-4103 Simi Valley, CA: 800-423-0150 Fax: 864-834-3518 www.tsbrass.com

This Space for Architect/Engineer Approval

Job Name _____ Date _____

Model Specified _____ Quantity _____

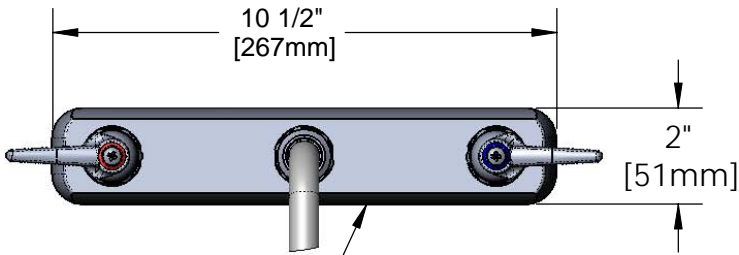
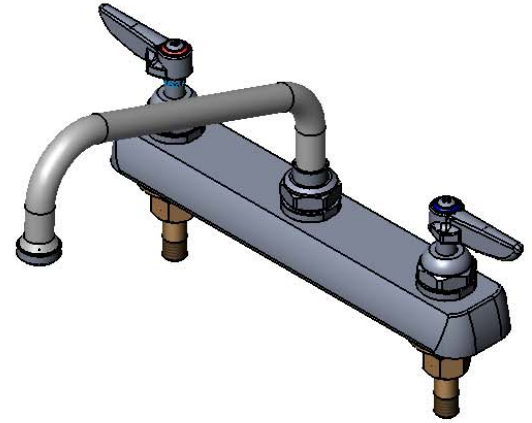
Customer/Wholesaler _____

Contractor _____

Architect/Engineer _____



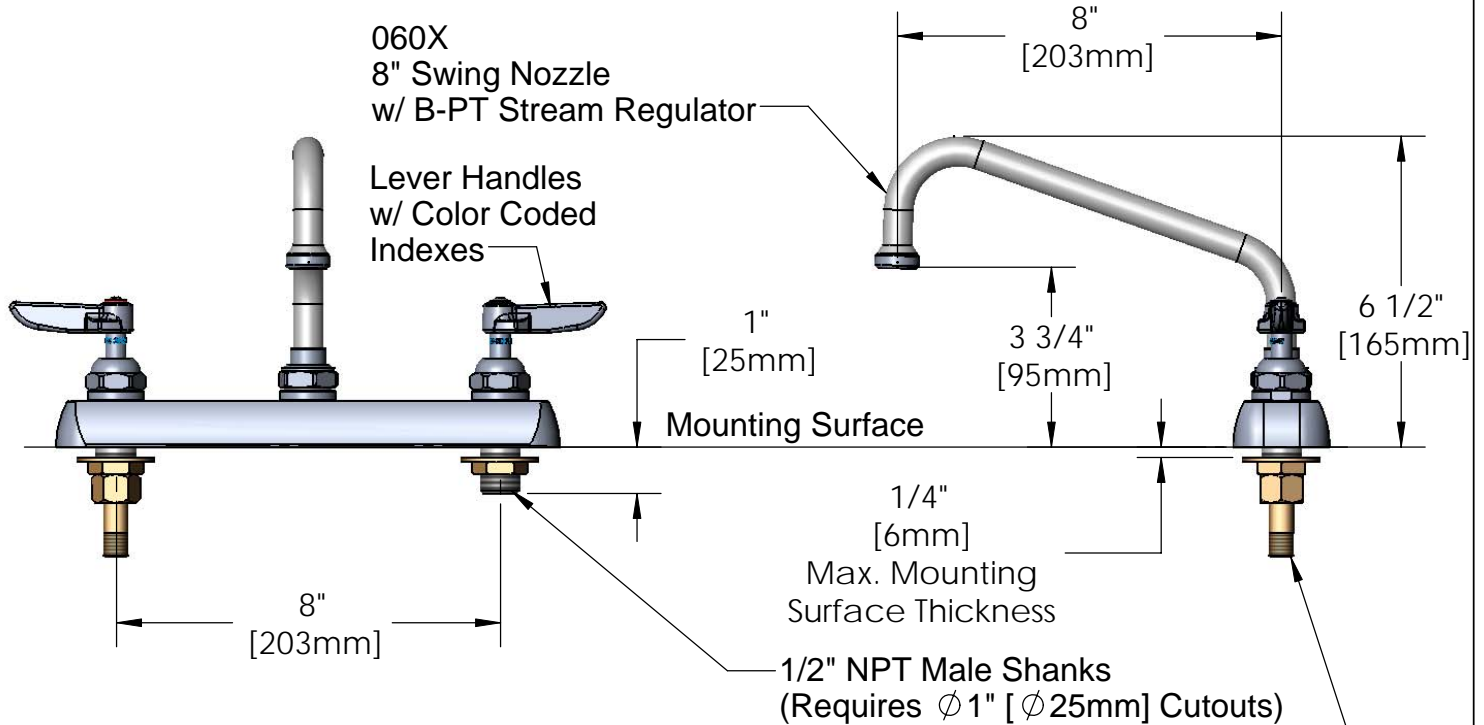
ADA Compliant



Polished Chrome Plated Escutcheon

060X
8" Swing Nozzle
w/ B-PT Stream Regulator

Lever Handles
w/ Color Coded
Indexes



150A Tailpiece and Nut
Furnished for 1/4" NPT
Connection

Product Specifications:

**8" Inlet Centers Workboard Faucet w/ Lever Handles,
8" Swing Nozzle, B-PT Stream Regulator & 1/2" NPT
Male Shanks**

Drawn KJG	Checked DHL	Approved JHB
Scale: 1:4		Date: 09/229/08



T&S BRASS AND BRONZE WORKS, INC.

2 Saddleback Cove / P.O. Box 1088
Travelers Rest, SC 29690

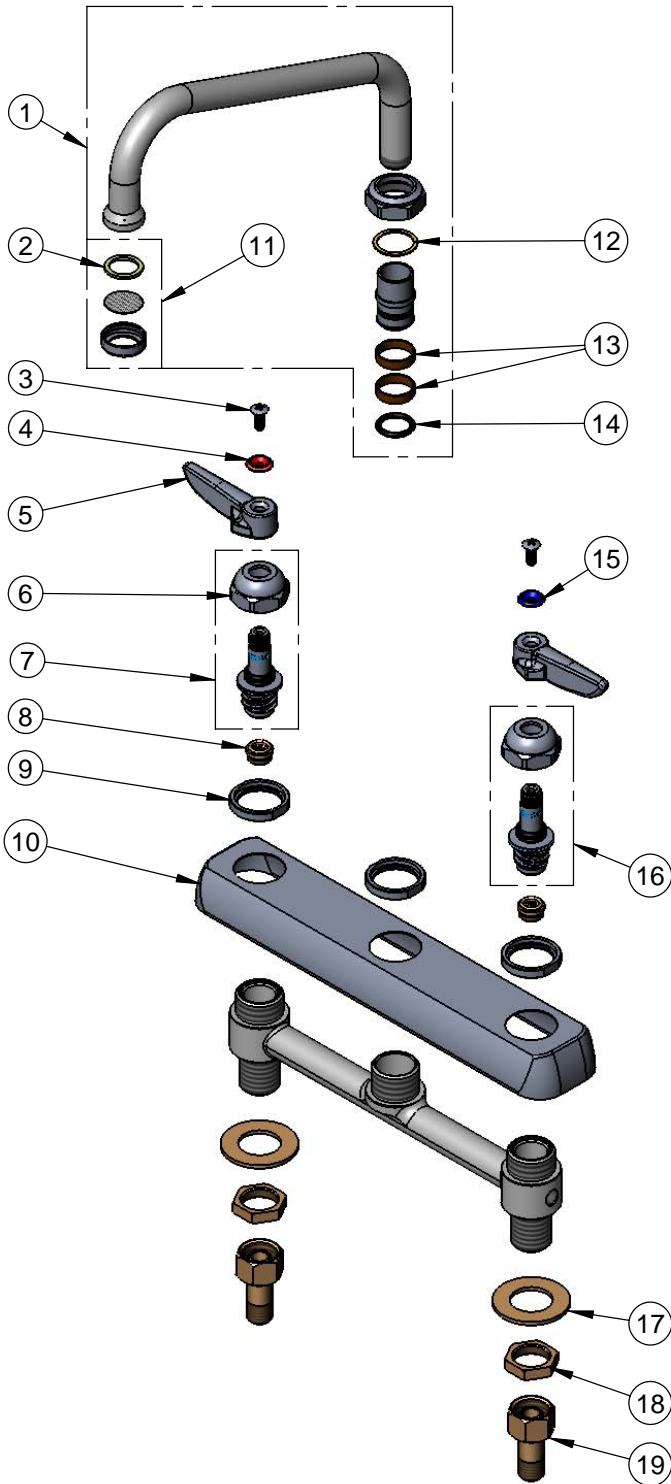


REG. #A2601
ISO #9001

Model No.
B-1121

Item No.

Travelers Rest, SC: 800-476-4103 Simi Valley, CA: 800-423-0150 Fax: 864-834-3518 www.tsbrass.com



ITEM NO.	SALES NO.	DESCRIPTION
1	060X	8" Swing Nozzle Assembly
2	001048-45	Nozzle Tip Washer
3	000922-45	Lever Handle Screw
4	001661-45	Red Index-HW
5	001638-45	Lever Handle
6	009749-25	Bonnet Nut
7	009753-25	B-1100 RH Spindle Assembly
8	000763-20	Seat
9	000712-25	Escutcheon Lock Nut
10	001259-40	Escutcheon
11	B-PT	Stream Regulator Outlet
12	009538-45	Swivel Washer
13	011429-45	Swivel Sleeves (2)
14	001074-45	O-Ring
15	001660-45	Blue Index-CW
16	009754-25	B-1100 LH Spindle Assembly
17	000999-45	Brass Lock Washer
18	002954-45	Shank Lock Nut
19	150A	Bag of (1) Nut & (1) Tailpiece

Product Specifications:

8" Inlet Centers Workboard Faucet w/ Lever Handles,
8" Swing Nozzle, B-PT Stream Regulator & 1/2" NPT
Male Shanks

Drawn KJG	Checked DHL	Approved JHB
Scale: 1:4		Date: 09/229/08