



**NITROPRO™ MINI**  
SPECIALTY BEVERAGE DISPENSER



Capture the  
*Power* of  
the Cascade

**nitropro™ mini**

## FEATURES

**Onboard Gas Generator**

No need to source nitrogen or extra equipment

**Bag-in-box Technology**

No brewing or manual mixing, just connect bag and serve

**Programmed Mixing Ratios**

Save time and ensure accuracy

**LED Illuminate Merchandiser**

Easily change graphic without tools

**Narrow Footprint**

Simple self-contained design conserves counter space

**Dual Tap Design**

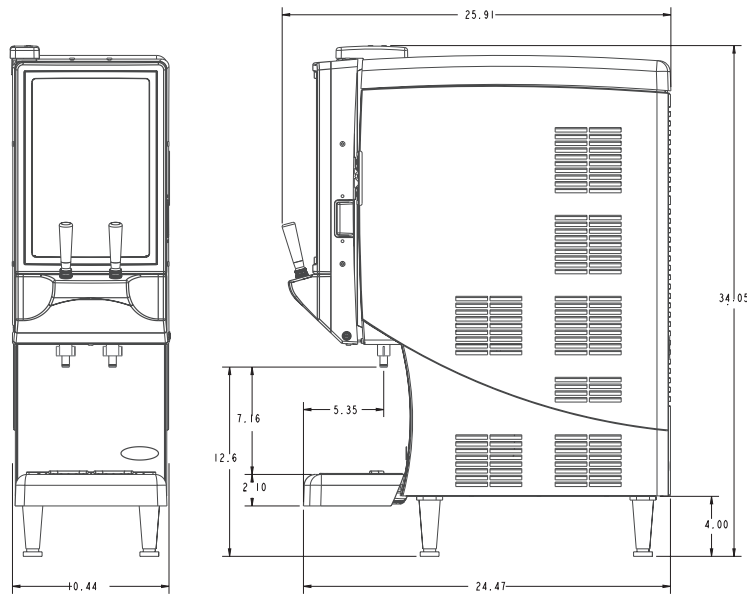
Dispense chilled nitro and still product using one BIB

**Easy to Remove Tap Handles**

Replace to align with your brand

**Frost-Free Refrigeration Compartment**

Accommodates ambient or aseptic concentrate BIB



PART NUMBER	DESCRIPTION
621058753	NitroPro Mini Counter Top Dispenser 115V/60Hz/5.0 Amps
621058755	NitroPro Mini Counter Top Dispenser 230V/50Hz/5.0 Amps
620068154	Optional 90psi Water Booster Pump 115V/60Hz
629097835	Annual Preventative Maintenance Kit
629097834	Replacement Nozzle, Mixing Cap, and O-ring Kit
620067410	Product Delivery Hose Assembly (Scholle 1910L)
MOD1-CB12C	Single head 0.2 micron water filter. 20,000 at 1.7ppm

## TECHNICAL SPECIFICATIONS

REFRIGERATION . . . . . Hermetically sealed system,  
R-134a refrigerant 6.2 oz (175 g)

ICE BANK SIZE . . . . . 6-8 lbs.

SHIPPING DIMENSIONS . . . . . 29.5”L x 17”W x 40”H  
(74.9 cm x 43.2 cm x 101.6 cm)

WEIGHT . . . . . 140 lbs (63.5 kg)

RECOMMENDED CLEARANCE . . Back: 4”  
Top: 12”  
Sides: 4”

### AMBIENT OPERATING

TEMPERATURE . . . . . 40°F to 100°F (4.4° C to 37.8°C)

BAG IN BOX CONNECTOR . . . . . Scholle 1910L

MERCHANDISER GRAPHIC SIZE. Entire Area: 8.763”x 12.927”  
. . . . . Visible Area: 7.949”x 12.051”

TAP HANDLE THREAD SIZE . . . . . 3/8” - 16

WATER CONNECTION . . . . . 3/8” SAE male  
flare fitting on dispenser

### WATER SUPPLY REQUIREMENTS

MAXIMUM DYNAMIC PRESSURE 90psi (6.2 bar)

MINIMUM DYNAMIC PRESSURE. 35psi (2.4 bar)

### PROGRAMMED POST-MIX

RATIOS . . . . . 3:1, 4:1, 5:1, 7:1. Micro  
adjustments available

REQUIRED OUTLET QUANTITY . . 1-15 amp outlet for dispenser

FLOW RATE . . . . . Finished beverage pour rate  
1-1.2oz/per second

AGENCY LISTINGS . . . . . 