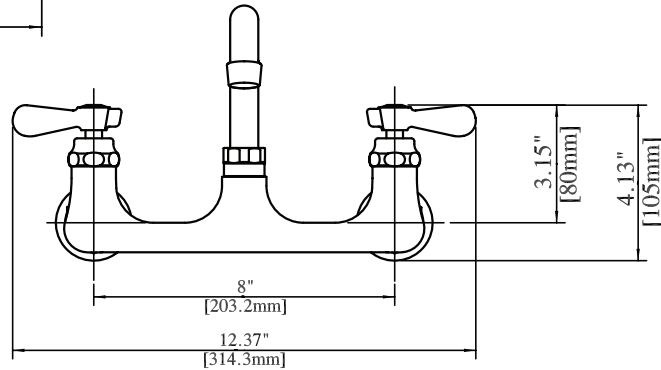
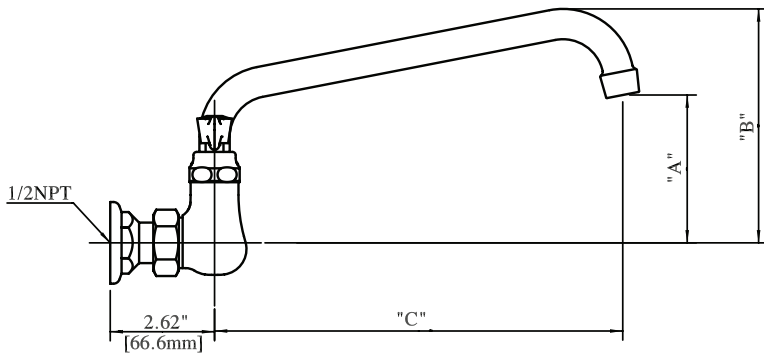
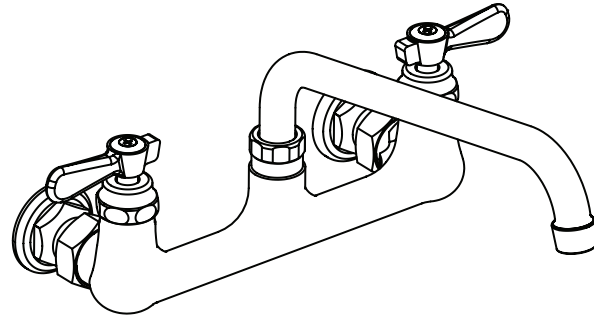




Use your smart phone to scan the above QR code to visit our website: www.bk-resources.com

8" Splash Mount Heavy Duty Faucet with Swing Spout

Model: BKF-G, Lead Free



Options:



BKF-C414-VR
Vandal Resistant Aerator - .5 GPM



BKF-WBH
ADA Compliant
Wrist Blade Handles

BK-DMMK-90

Faucet Mounting Kit - *SOLD SEPARATELY*

Product Specifications:

- Heavy Duty Double Seat 1/4 Turn Ceramic Cartridges
- Color Coded Hot & Cold Indicators
- Double O-Ring Spout Seal
- Chrome Plated Brass
- Integral Check Valve
- Lead Free Compliant
- 2.0 GPM Flow Rate
- Full Replacement Parts Available

Product Detail:

Model Number	DIM. A	DIM. B	DIM. C	Product Weight (lbs)
BKF-6-G	2.38" [60.3]	4.63" [117.5]	6" [152.4]	5.00
BKF-8-G	2.75" [69.9]	5" [127]	8" [203.2]	5.00
BKF-10-G	2.69" [68.3]	5.38" [136.5]	10" [254]	5.00
BKF-12-G	3.56" [90.5]	5.75" [146]	12" [304.8]	5.00
BKF-14-G	3.38" [98.4]	6.14" [156]	14" [355.6]	5.00
BKF-16-G	4.31" [109.5]	6.56" [166.7]	16" [406.4]	5.00

Certifications:



Certified to NSF/ANSI 61 Section 9-G



ADA Compliant

PRODUCT SPECIFICATION SHEET

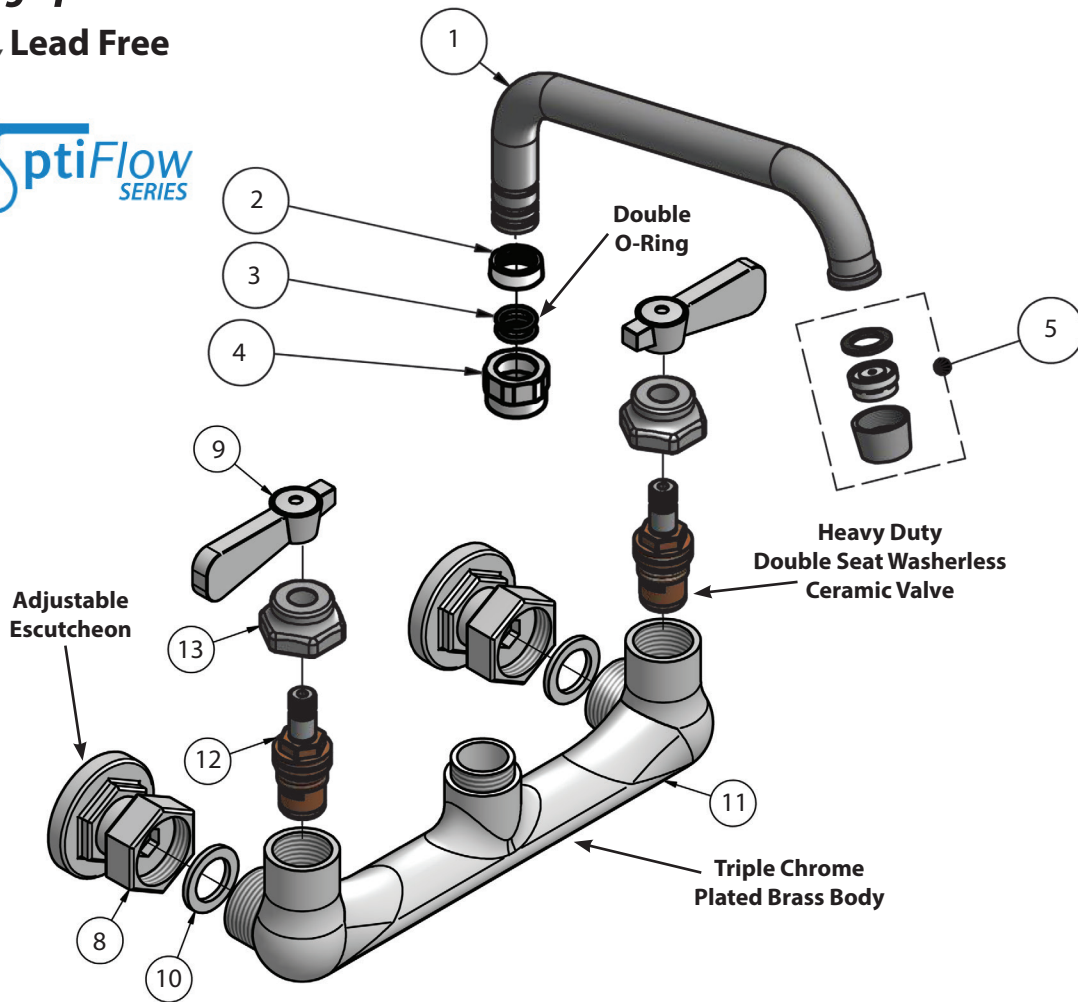
RESOURCES





8" Splash Mount Heavy Duty Faucet with Swing Spout

Model: BKF-G, Lead Free



Exploded Parts Detail:

Diagram #	Quantity	Part Number	Description
1	1	BKF-SPT-XX-G	Spout
2	1	BKF-SPT-SPACER	Spacer
3	2	BKF-SPT-ORING	O-Ring
4	1	BKF-SPT-NUT	Spout Nut
5	1	BKF-AER	Aerator
8	2	BK-ESC	Escutcheon
9	2	BKF-SBH	Handle
10	2	BKF-ESC-WASHER	Washer
11	1	BKF-XX-G	Faucet Body
12	2	(1) BKF-CV-G & (1) BKF-HV-G	Mixing Valve
13	2	BKF-BONNET	Bonnet

Optional Spouts & Parts:

- Heavy Duty Gooseneck Spout**
BKF-HSPT-3G-G, BKF-HSPT-5G-G
BKF-HSPT-8G-G
- Heavy Duty DJ Swing Spout**
BKF-HSPT-18-G
- Heavy Duty Swing Spout**
BKF-HSPT-6-G, BKF-HSPT-8-G
BKF-HSPT-10-G, BKF-HSPT-12-G
BKF-HSPT-14-G, BKF-HSPT-16-G
- BKF-C414-VR**
Vandal Resistant Aerator - .5 GPM
- BKF-WBH**
ADA Compliant
Wrist Blade Handles
- BK-DMMK-90**
Faucet Mounting Kit - *SOLD SEPARATELY*

PRODUCT SPECIFICATION SHEET

RESOURCES

