



STAINLESS STEEL A-7 Drop-In Dipper Well



Item #: _____ Qty #: _____

Model #: _____

Project #: _____

FEATURES:

Stainless steel outer shell with removable inner shell
Includes TA-34 cut out
1-1/2" NPT drain

MATERIAL:

18 gauge, 300 stainless steel
Nickel plated brass tailpiece

Model #	Overall Size	Cut Out	Approx. Weight
A-7	6-7/8" x 5-5/8"	6-1/8" dia.	2 lbs.

OPTIONAL A-33 DIPPER WELL FAUCET

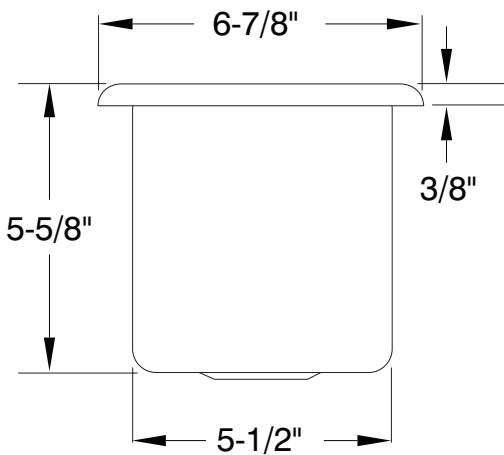


[CLICK HERE](#)
To Visit The A-33
Specification Sheet

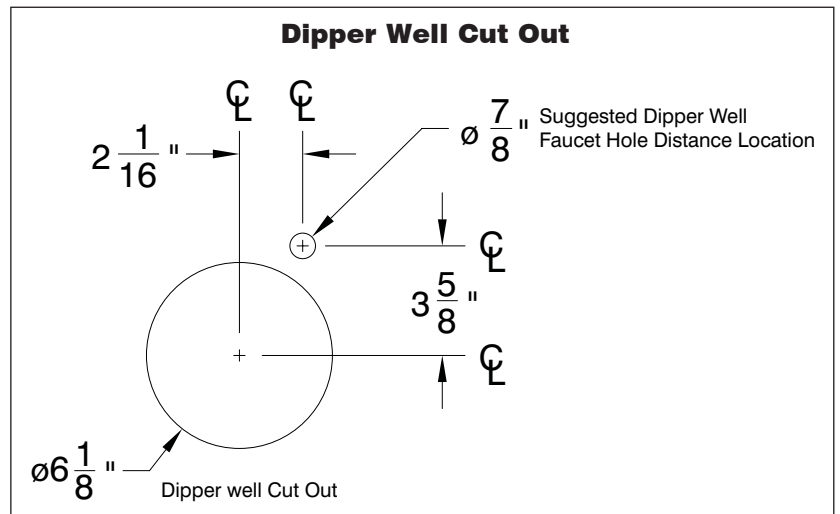
DIMENSIONS and SPECIFICATIONS

TOL ± .500"

ALL DIMENSIONS ARE TYPICAL



**A-7
Dipper Well**



WARNING: Faucets on this page may expose you to chemicals, including lead, that are known to the State of California to cause cancer or birth defects or other reproductive harm. For more info, visit www.p65warnings.ca.gov.



Customer Service Available To Assist You 1-800-645-3166 8:30 am - 7:00 pm E.S.T.

For Orders & Customer Service:

Email: customer@advancetabco.com or Fax: 631-242-6900

For Smart Fabrication™ Quotes:

Email: smartfab@advancetabco.com or Fax: 631-586-2933