

Blueair by BLUENIX

MODEL BLMI-500AD

MODULAR

Perfectly Crafted Cubes Every Time,
Keeping Your Beverages and Events Cool
and Refreshing.



Intertek



Produces up to 530 lbs of ice daily

Units produce individual crescent ice cubes.



Durable stainless steel cabinet and evaporator

with removable air filter.



Easy cleaning system

How to disassemble for cleaning
follow this youtube link:
https://www.youtube.com/watch?v=J_G45cNlfks&t=185s



Digital Self Diagnostic System

Power switch is accessible without
panel removal

3YEAR
WARRANTY

PARTS & LABOR

5YEAR
WARRANTY

COMPRESSOR & EVAPORATOR

Valid in the Continental United States

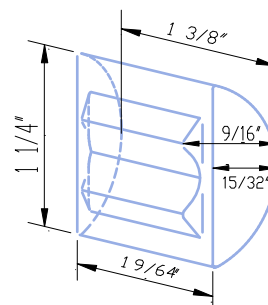
Service

- Panels easily removed and all components accessible for service.
- Removable/cleanable air filters.
- Allow 6" (15cm) clearance at rear, sides, and top for proper air circulation and ease of maintenance/service.

Plumbing

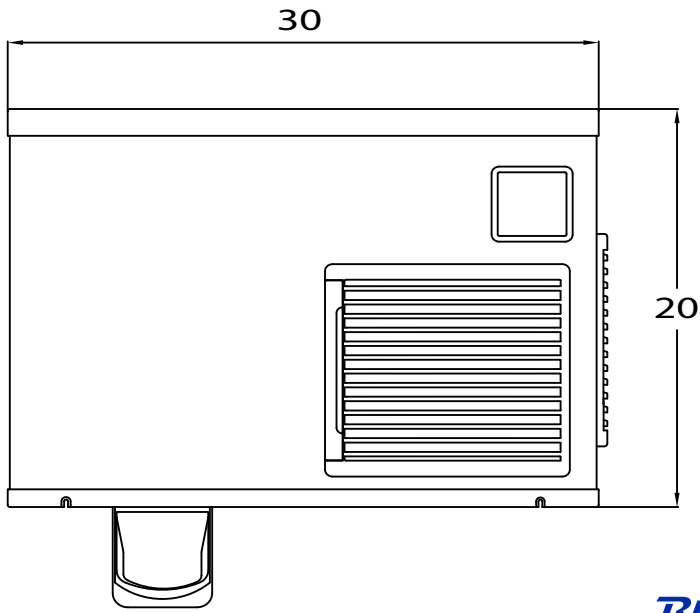
- Icemaker Water Supply Line: Minimum 3/8" Nominal DI Copper Water Tubing or Equivalent
- Icemaker Drain Line: Minimum 3/4" Nominal ID Hard Pipe or Equivalent

Cube Dimensions

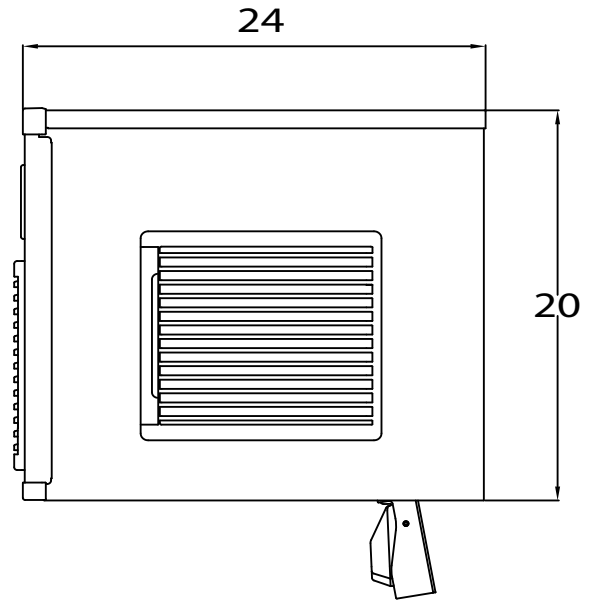


Approximate Size in inches,
image not to scale.

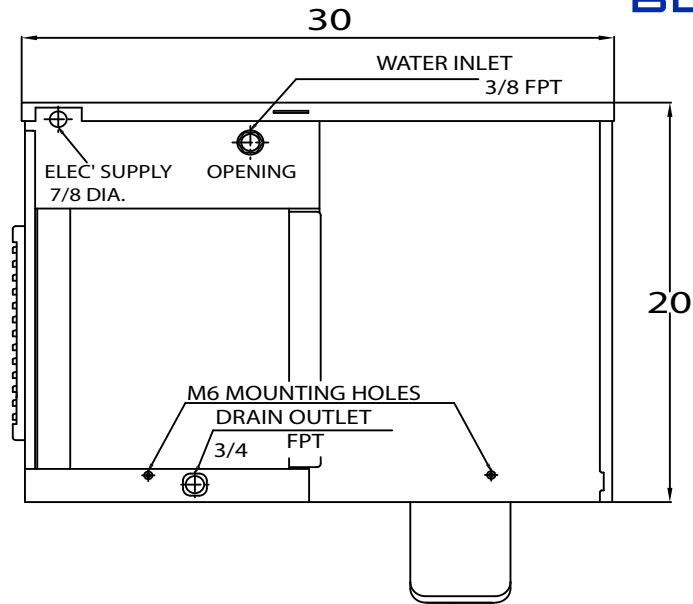
Front view



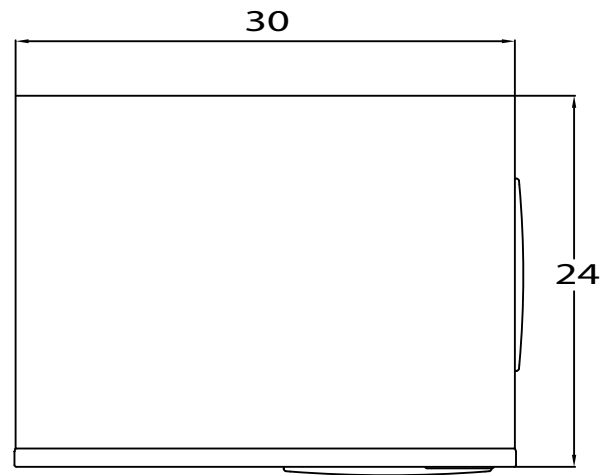
Side view



Blueair by
BLUENIX



Back view



Top view

Ice Production

**Air / Water Temp
Lbs. per 24 hrs**

70°/50°F	90°/70°F
530lbs	417lbs

Per Cycle

Lbs	Cubes
9.18lbs	432

Air 90°F / Water 70°F

KWH
per 100 lbs.
5.97 kWh

Portable Water Gal.
per 100lbs
11.7 gal

Condenser

Air-Cooled

Min. Circuit
Amperage

14

Voltage
V/HZ/PH

115V/60/1

Shipping
Weight

161 lbs / 73 kg

Refrigerant

R-410A

Operating Limits

Ambient Temp Range: 45 - 100° F

Water Temp Range: 45 - 90° F

Water Pressure: 30 - 100 PSIG

Voltage Range: 100 - 130V

BLUE AIR has right to change specifications without further notice.



This product may expose you to chemicals including Diisononyl Phthalate(DINP), which is known to the State of California to cause cancer. For more information go to www.P65Warnings.ca.gov.



blueairfse.com



orders@blueairfse.com



1.886.677.8500



223 W. Rosecrans Ave., CA 90248
T: 310.808.0102

9W. Shelton Terrace #A, Hillside, NJ 07205
T: 908-688-0970