

# "PBF-4SM2" HEAVY DUTY FAUCETS - SHALLOW MOUNT

*Low-Lead, Splashmount w/Gooseneck Spout, 4" O.C.*

**FEATURES:**

- Heavy Duty Double Seat 1/4" Turn Ceramic Cartridges
- Color Coded Hot & Cold Indicators
- Double O-Ring Spout Seal
- High Polished Triple Dipped Chrome Finish
- Integral Check Valve
- Lead Free Compliant
- Full Replacement Parts Available

**CERTIFICATIONS:**



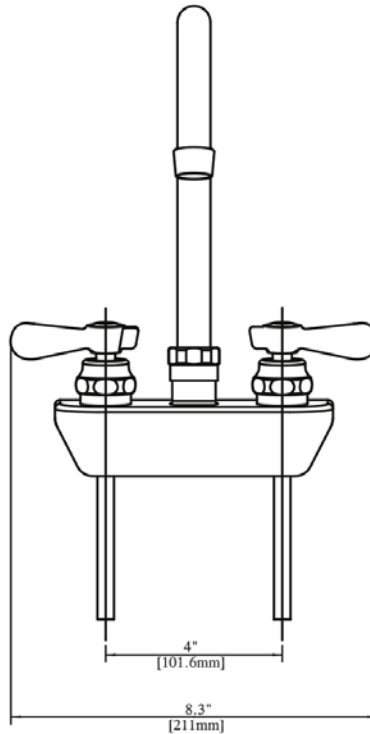
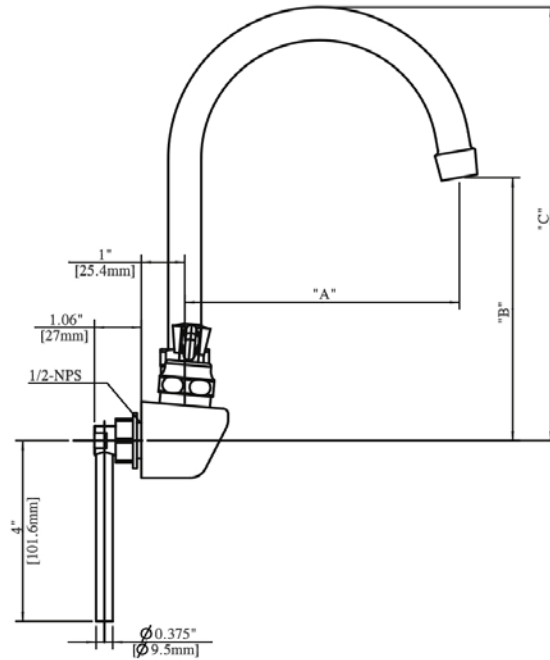
PBF-4SM-3GLF

## "PBF-4SM2" LOW-LEAD HEAVY DUTY FAUCETS

MODEL	DESCRIPTION	A	B	C	WEIGHT (LBS)
PBF-4SM2-3GLF	3" Gooseneck Spout, Shallow Mount	3.5"	5.38"	8.13"	4
PBF-4SM2-5GLF	5" Gooseneck Spout, Shallow Mount	6"	5.13"	9.75"	4

ALL DIMENSIONS ARE TYPICAL. TOLERANCE +/- .500". JOHN BOOS & CO. RESERVES THE RIGHT TO CHANGE SPECIFICATIONS WITHOUT NOTICE.

# DETAILED SPECIFICATIONS



## "PBF-4SM2" LOW-LEAD HEAVY DUTY FAUCETS

MODEL	DESCRIPTION	A	B	C	WEIGHT (LBS)
PBF-4SM2-3GLF	3" Gooseneck Spout, Shallow Mount	3.5"	5.38"	8.13"	4
PBF-4SM2-5GLF	5" Gooseneck Spout, Shallow Mount	6"	5.13"	9.75"	4

ALL DIMENSIONS ARE TYPICAL. TOLERANCE +/- .500". JOHN BOOS & CO. RESERVES THE RIGHT TO CHANGE SPECIFICATIONS WITHOUT NOTICE.