

Glastender®

A family company manufacturing in the USA

www.glastender.com



CS1FB60
Stainless steel doors, and top



Intertek Intertek

4004503

Conforms to NSF/ANSI STD 7 and UL STD 471

Certified to CSA STD C22.2 No. 120

Listed as NSF Standard 7
for open food as a display refrigerator

Standard Features

- Self-contained
- Stainless steel interior
- Locking doors
- LED interior lighting
- Heated mullion to minimize condensation
- Evaporator above compressor compartment to maximize storage capacity
- Three adjustable, coated-wire shelves per door section

Project: _____	AIA# _____
Item #: _____ Qty: _____	SIS# _____
Model #: _____	

Coolers Shallow Depth, One Zone, Front Serviced, Bar Profile	
CS1FB	CS1FB52, CS1FB60, CS1FB72, CS1FB84



Configurable Options

- | | |
|--|---|
| <p>Temperature:</p> <ul style="list-style-type: none"> • Beer/Food - 34°F to 40°F • White wine - 50°F to 55°F • Red wine - 60°F to 65°F <p>Refrigeration Compartment Location:</p> <ul style="list-style-type: none"> • Left or Right <p>Refrigeration Compartment Cover Finish:</p> <ul style="list-style-type: none"> • Black vinyl-clad • Unlaminated • Stainless steel • Jeweled stainless • Laminated <p>Door Style & Finish (specify per door section):</p> <ul style="list-style-type: none"> • Black vinyl-clad • Stainless steel • Jeweled stainless • Laminated • Unlaminated • Glass, black vinyl-clad • Glass, stainless steel • Glass, jeweled stainless • Glass, laminated | <p>Door Hinge Location (specify for each door):</p> <ul style="list-style-type: none"> • Left or Right <p>Door Handle:</p> <ul style="list-style-type: none"> • Signature • Pull-tab • Tube <p>Top Style:</p> <ul style="list-style-type: none"> • No finished top • Stainless top <p>Left and Right Side Finish:</p> <ul style="list-style-type: none"> • Black vinyl-clad • Stainless steel <p>Back Finish:</p> <ul style="list-style-type: none"> • Galvanized steel • Stainless steel <p>LED Lighting Style:</p> <ul style="list-style-type: none"> • Bright white (7,000k) • Warm white (3,500k) • Amber (2,700k) • Blue |
|--|---|

Glastender, Inc. • 5400 N Michigan Rd • Saginaw, MI • 48604-9780 989.752.4275 • 800.748.0423 • Fax 989.752.4444 www.glastender.com	Approval/Notes:
Specifications subject to change without notice. For current specifications please visit our website.	

Coolers - Shallow Depth, One Zone, Front Serviced, Bar Profile

Specifications

		CS1FB52	CS1FB60	CS1FB72	CS1FB84
Dimensions	Length	52"	60"	72"	84"
	Number of Sections	2	2	3	3
	Door Opening	16"	20"	16"	20"
Electrical	Electrical Supply	120V, 1 phase, 60 Hz, dedicated 15A circuit required			
	Full Load Amps	3.5	3.5	3.5	3.5
	Plug Type	8 foot NEMA 5-15P grounded cord and plug which exits the back of refrigeration compartment*			
Refrigeration	Refrigerant	R290 - 125 grams, 4.41 oz., 0.28 pounds			
	Compressor	Reciprocating, 1/6 HP, 1300 BTUH, 0.11 Tons			
	Heat Rejection	1430 BTUH			
Operating Range		34°F (1°C) to 40°F (4°C)			
Plumbing		Automatic condensate evaporator; no drain connection required †			
Weight Bearing Capacity		Countertops and other accessories should not exceed 500 pounds per door			

Materials

- Stainless steel parts include: exterior sub-top, interior, front of cabinet, hinges, hinge and lock brackets, and optional legs
- Black vinyl-clad steel parts include: standard sides, doors and compressor cover
- Galvanized steel parts include: back and bottom
- Zinc plated CR steel parts include: leg sockets



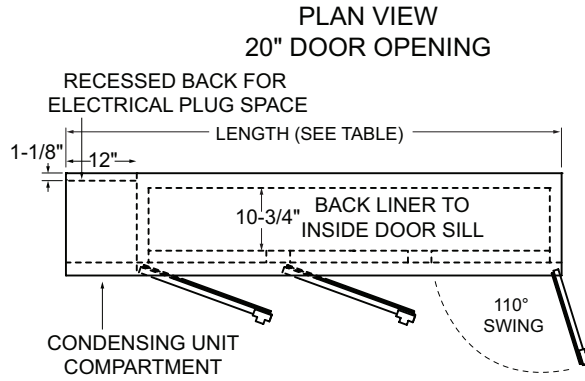
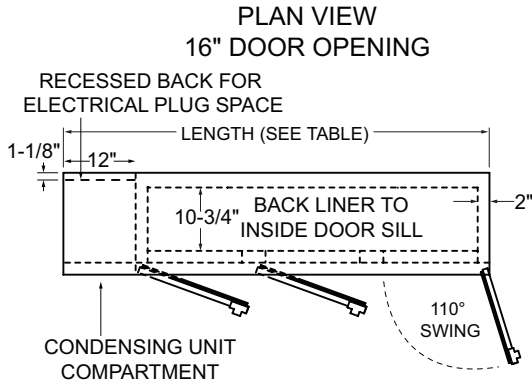
† Building conditions outside the guidelines of ASHRAE 55 and ASHRE 62.1 may need to be plumbed to a drain.

Capacities

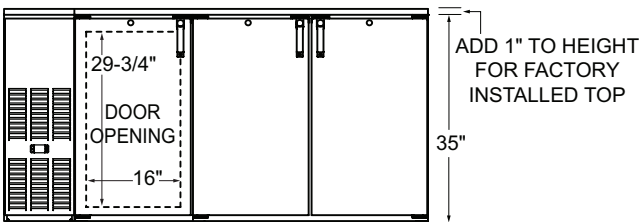
	CS1FB52	CS1FB60	CS1FB72	CS1FB84
12 oz. bottles, cases	8.1	10.6	12.8	16.6
750ml wine bottles	77	102	121	162
1/2 barrel kegs	N/A	N/A	N/A	N/A
1/6 barrel kegs	N/A	N/A	N/A	N/A
Capacity values below are per door/drawer section (750ml wine bottles)				
Drawers	N/A	N/A	N/A	N/A
Upright pull-out	N/A	N/A	N/A	N/A
Horizontal pull-out	N/A	N/A	N/A	N/A
Combo pull-out	N/A	N/A	N/A	N/A

Coolers - Shallow Depth, One Zone, Front Serviced, Bar Profile

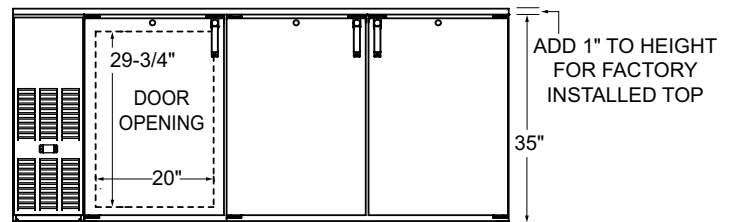
Drawings



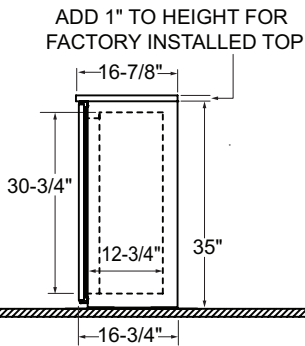
FRONT VIEW 16" DOOR OPENING



FRONT VIEW 20" DOOR OPENING

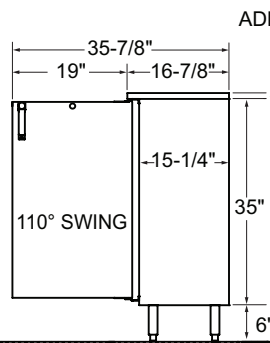


SIDE VIEW

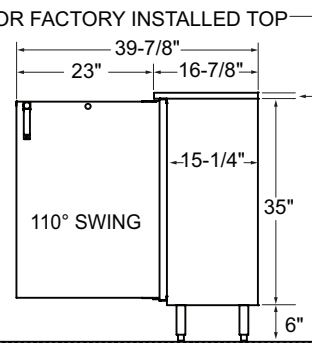


STANDARD CABINET

SIDE VIEW 16" DOOR OPENING



SIDE VIEW 20" DOOR OPENING



SHOWN WITH OPTIONAL 6" LEGS

OPTIONAL LEGS AND CASTERS

