

# ECONOMY 1-BOWL PREP TABLE WITH 5" BACKSPLASH (BOWL ON RIGHT)

WORKTABLES - WITH BOWL

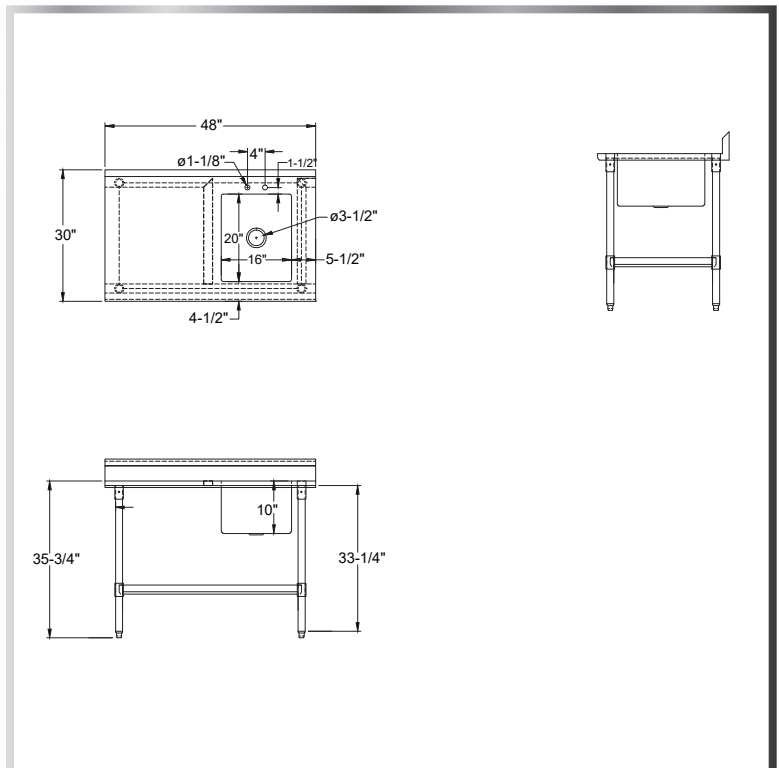


## MATERIALS

- 18 Gauge 300 Series Stainless Steel
- Galvanized Lower Shelf, Legs, and Bullet Feet

## FEATURES

- 4" On-Center Deck-Mounted Faucet Holes
- 10" Deep Sink Bowl (On Right Side)
  - Adjustable Lower Shelf and Bullet Feet
  - Marine Edges
  - Drain Basket Included



MODEL NUMBER	BOWL SIZE L X W X H	LENGTH	WIDTH
PTG-1620R4	16" x 20" x 10"	48"	30"
PTG-1620R5	16" x 20" x 10"	60"	30"
PTG-1620R6	16" x 20" x 10"	72"	30"