

## "4CO6" MODULAR BASE WORK TABLES

### *16GA Stainless Steel Top - Open Front*

#### FEATURES:

- Flat Top With 1-1/2" Stallion Edge On Front And 90 Degree Bend Down Side Edge For Table Line-Up
- Top Is Sound Deadened Reinforced With 2"x3" Channel Running Entire Length Of Top
- Stainless Steel Leg With Adjustable Feet
- Optional Fixed (Suffix "-1S") Or Adjustable (Suffix "-1AS") Intermediate Shelf Available
- 36" Working Height
- Shipped Standard Welded Set-Up

#### SPECIFICATIONS:

- Top: Stainless Steel Cabinet Tops TIG Welded, Exposed Welds Are Polished To Match Adjacent Surface #4 Polished, Satin Finish
- Removable Stainless Steel Legs
- Top: 16GA Type 300 Stainless Steel With #4 Polish, Satin Finish
- Body: 18GA Type 430 Stainless Steel
- Legs: Stainless Steel With Adjustable Feet

#### CERTIFICATIONS:



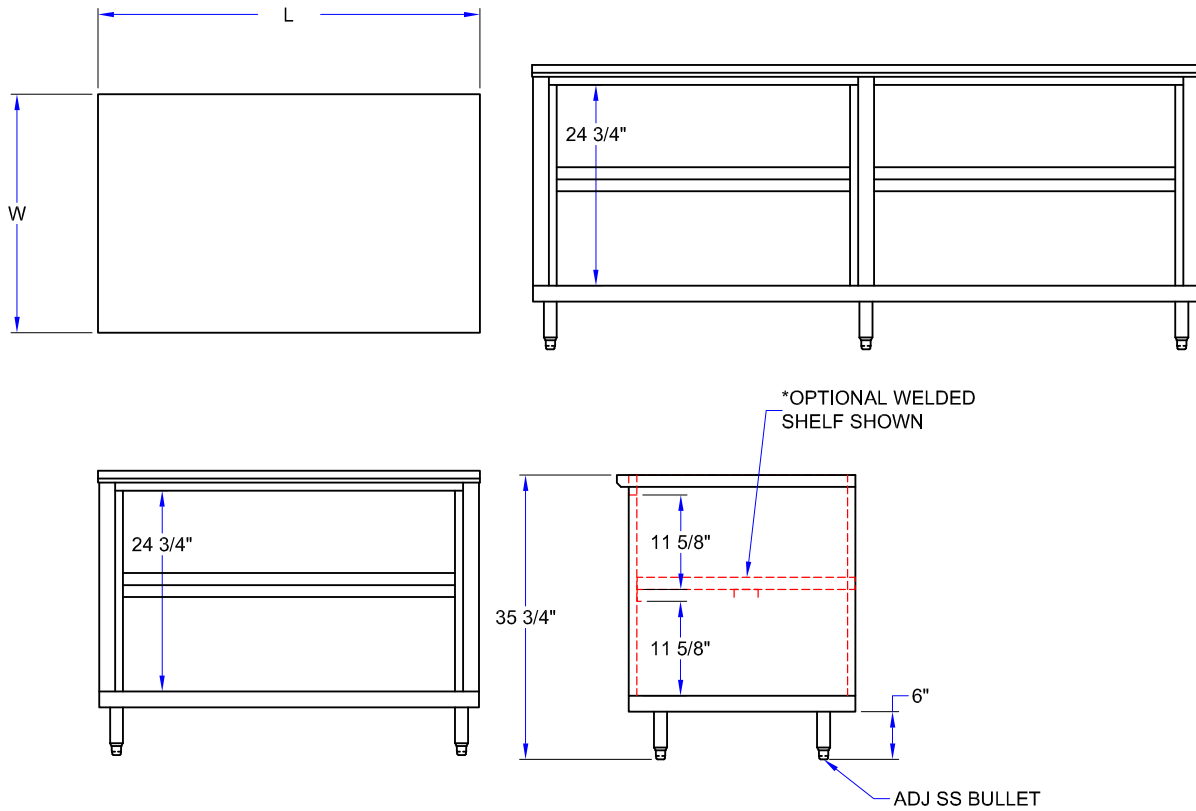
4CO6-3048

## "4CO6" MODULAR BASE WORK TABLES

LENGTH	24" WIDE	WT (LBS)	30" WIDE	WT (LBS)	36" WIDE	WT (LBS)
36"	<b>4CO6-2436</b>	200	<b>4CO6-3036</b>	225	<b>4CO6-3636</b>	250
48"	<b>4CO6-2448</b>	240	<b>4CO6-3048</b>	260	<b>4CO6-3648</b>	290
60"	<b>4CO6-2460</b>	280	<b>4CO6-3060</b>	300	<b>4CO6-3660</b>	330
72"	<b>4CO6-2472</b>	325	<b>4CO6-3072</b>	340	<b>4CO6-3672</b>	375
84"	<b>4CO6-2484</b>	365	<b>4CO6-3084</b>	380	<b>4CO6-3684</b>	415
96"	<b>4CO6-2496</b>	415	<b>4CO6-3096</b>	425	<b>4CO6-3696</b>	460
108"	<b>4CO6-24108</b>	455	<b>4CO6-30108</b>	465	<b>4CO6-36108</b>	460
120"	<b>4CO6-24120</b>	490	<b>4CO6-30120</b>	540	<b>4CO6-36120</b>	540
132"	<b>4CO6-24132</b>	525	<b>4CO6-30132</b>	570	<b>4CO6-36132</b>	583
144"	<b>4CO6-24144</b>	560	<b>4CO6-30144</b>	600	<b>4CO6-36144</b>	625

ALL DIMENSIONS ARE TYPICAL. TOLERANCE +/- .500". JOHN BOOS & CO. RESERVES THE RIGHT TO CHANGE SPECIFICATIONS WITHOUT NOTICE.

# DETAILED SPECIFICATIONS



## MODEL # STRUCTURE

6 = 16GA Top  
 CO = Open Front  
 4 = 430 S.S. Body



### "4CO6" MODULAR BASE WORK TABLES

LENGTH	24" WIDE	WT (LBS)	30" WIDE	WT (LBS)	36" WIDE	WT (LBS)
36"	4CO6-2436	200	4CO6-3036	225	4CO6-3636	250
48"	4CO6-2448	240	4CO6-3048	260	4CO6-3648	290
60"	4CO6-2460	280	4CO6-3060	300	4CO6-3660	330
72"	4CO6-2472	325	4CO6-3072	340	4CO6-3672	375
84"	4CO6-2484	365	4CO6-3084	380	4CO6-3684	415
96"	4CO6-2496	415	4CO6-3096	425	4CO6-3696	460
108"	4CO6-24108	455	4CO6-30108	465	4CO6-36108	460
120"	4CO6-24120	490	4CO6-30120	540	4CO6-36120	540
132"	4CO6-24132	525	4CO6-30132	570	4CO6-36132	583
144"	4CO6-24144	560	4CO6-30144	600	4CO6-36144	625

ALL DIMENSIONS ARE TYPICAL. TOLERANCE +/- .500". JOHN BOOS & CO. RESERVES THE RIGHT TO CHANGE SPECIFICATIONS WITHOUT NOTICE.