



RESOURCES

Top Plate Casters

2-3/8" Top Plate Caster with Gray Rubber Wheel

Certifications:

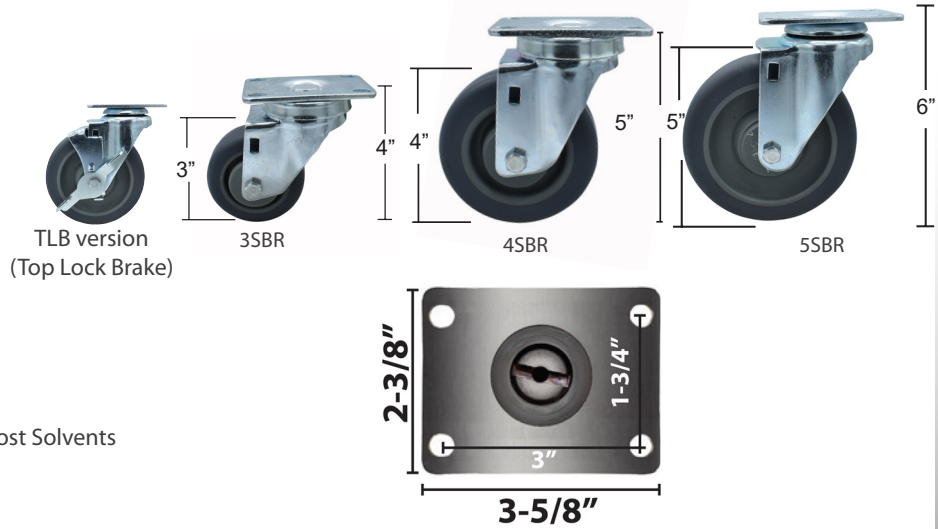


Features:

- Double Ball Bearing Raceway for Long Wear and Added Strength
- With or Without Top Lock Brake
- 1/2" King Pin

Material:

- Resistant to Oil, Grease, Water and Most Solvents
- Temperature Range -45° to 180°F
- Zinc Plated
- Rubber Wheel



Part Number	Brake	Wheel Size	Capacity
3SBR-1PT-GR	-	3"	250 LBS
3SBR-1PT-GR-TLB	TLB	3"	250 LBS
4SBR-1PT-GR	-	4"	250 LBS
4SBR-1PT-GR-TLB	TLB	4"	250 LBS
5SBR-1PT-GR	-	5"	250 LBS
5SBR-1PT-GR-TLB	TLB	5"	250 LBS

PRODUCT DATA SHEET

RESOURCES

