



SIGNATURE SERIES ICE CHEST
24"-42" Wide



TSC36IC
Shown with optional ice covers

JOB
AREA
ITEM NO.
MODEL NO.

MODELS
TSC Series
TSC24IC
TSC30IC
TSC36IC
TSC42IC

MODEL NUMBERS - TSC24IC, TSC30IC, TSC36IC, TSC42IC

KEY PRODUCT FEATURES AND BENEFITS

- Dent-resistant ABS top ledge for longer life
- Optional "clip-on" ice dividers create separated ice storage to keep all your cube sizes right at your finger tips
- Unique design allows the bartender to stand closer to their work counter and guests
- Raised work height improves ergonomics and reduces reaching and bending
- Stainless steel legs install without tools and have adjustable rust-free thermoplastic feet
- Polished Stainless interior for easier cleanability and highest sanitary rating

Quick Features:

- Shallower depth allows the bartender to stand closer to their work counter and guests
- Dent-resistant ABS top ledge for better resilience in a fast paced working bar
- Highest rated foamed-in-place insulated walls

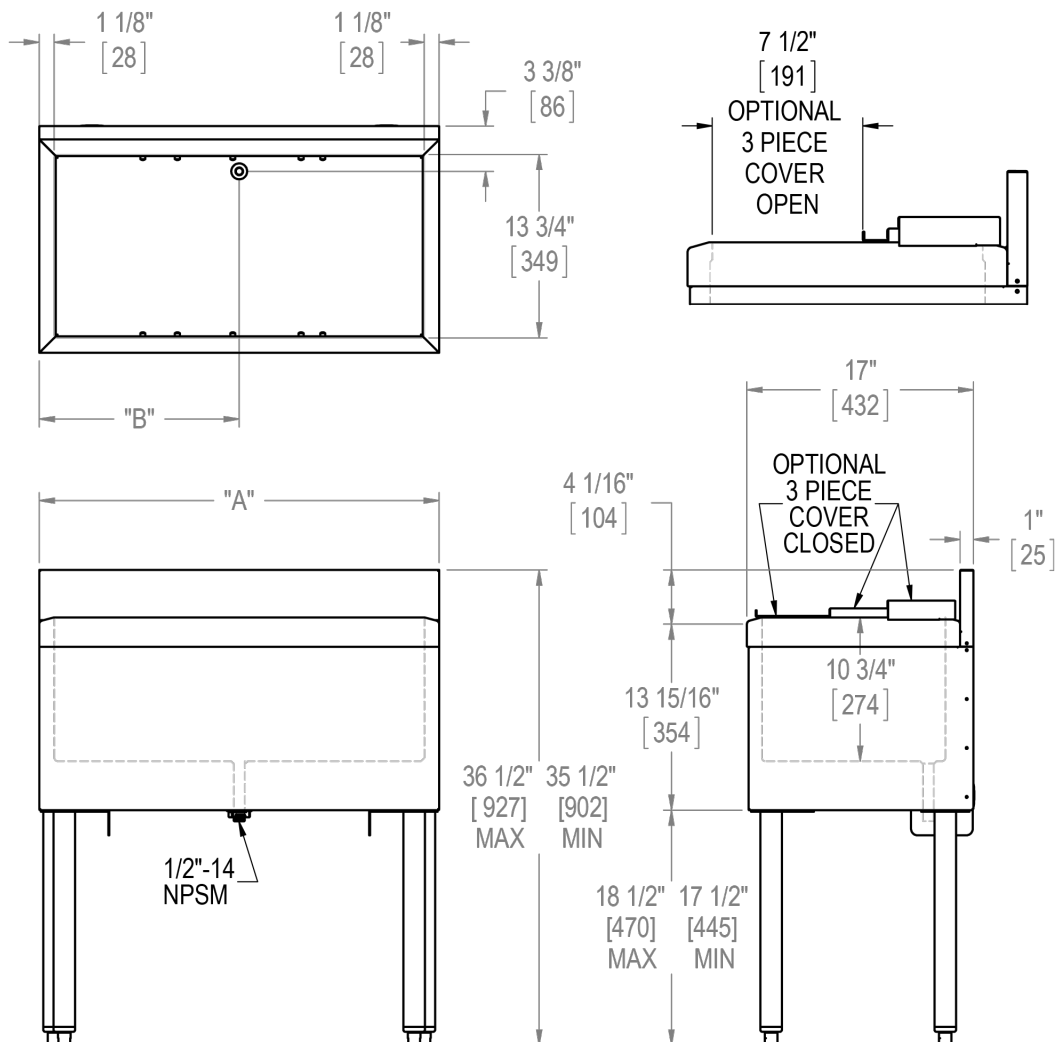


SIGNATURE SERIES ICE CHEST
24"-42" Wide

MODEL NUMBERS - TSC24IC, TSC30IC, TSC36IC, TSC42IC

MODEL NOS.	TSC24IC	TSC30IC	TSC36IC	TSC42IC
DIMENSIONS: EXTERIOR (mm)	LENGTH IN. (mm)	24 (610)	30 (762)	36 (914)
	ICE CAP. lbs. (kg)	50 (22.7)	64 (27.2)	78 (35.4)
	SHIP WT. lbs (kg)	60 (27.2)	70 (31.8)	80 (36.3)
CONSTRUCTION	All Stainless steel with ABS top rim. TSC Series: Stainless steel 6" high (4" optional) with 1" return at top, mechanically fastened and sealed to ice chest top TSD Series: Not applicable			
COVERS*	Stainless steel, three-piece, removable			
INTERIOR	Stainless steel with 1/4" radius corners, welded and sealed with non-exposed cold plate. Interiors can be divided with accessory "clip-on" ice dividers			
INSULATION	Foamed-in-place polyurethane			
LEGS	1-5/8" tubular, stainless steel with 1" adjustable thermoplastic foot (4 legs are standard)			
PLUMBING	Drain connection- 1/2" - 14 NPSM male			
ACCESSORIES	NSF Listed, low lead compliant water faucets, spouts and foot operated pedals			

*Note: Covers not included.



Form No. Z2385
Rev 10.01.21