

# VICTORY<sup>®</sup> ULTRASPEC

PROJECT: \_\_\_\_\_

ITEM # \_\_\_\_\_ QTY: \_\_\_\_\_

MODEL # \_\_\_\_\_

AIA # \_\_\_\_\_ SIS # \_\_\_\_\_

## EXTRA WIDE PASS-THRU SOLID DOOR WARMING CABINET

### HS-1D-1-EW-PT



### EXCLUSIVE WARRANTY

- ▶ 7 Year Parts & Labor Warranty
- ▶ Exclusive 2 Year Warranty On Magnetic Door Gaskets
- ▶ Lifetime Warranty On Handles & Hinges (parts only)

### CABINET CONSTRUCTION

- Stainless Steel Exterior And Interior
- 20 Gauge Stainless Steel Door
- Stainless Steel Interior Door Liner
- Heavy Duty Cam Lift Hinges With 120 Stay-Open Feature
- Proximity Door Switch Activates Interior Incandescent Lighting
- Heavy-Duty Cylinder Locks
- One Piece, Snap-In Magnetic Door Gaskets
- Low Profile Vertical Door Handles
- Hinged Front Shroud
- Stainless Steel Breaker Caps
- 3 Silver Freeze Wire Shelves
- 6" High Adjustable Stainless Steel Legs
- 8' Cord And Plug (see electrical data for details)

### FEATURES

- Full Electronic Control With Touchpoint Interface
- Adjustable Electronic Temp Control From 80°F To 180°F
- Built-In, Adjustable Humidity Control Vent
- Safety Shielded Strip Type Heating Elements
- Externally Mounted Blower Maintains Even Temperatures
- Manager's Lockout Feature



EXTRA WIDE PASS-THRU SOLID DOOR WARMING CABINET



Please Verify Qualifying Units By Visiting:  
[www.energystar.gov/cfs](http://www.energystar.gov/cfs)

### OPTIONS & ACCESSORIES

- Stainless Steel Back And Shroud
- Stainless Steel Kick Plate
- Exterior Door Laminate
- Additional Shelves
- Tray Slides (type A & A/C)
- Door Swing Orientation (at time of order)
- Correctional Package
- 6" Seismic Legs
- 3" Or 6" Casters

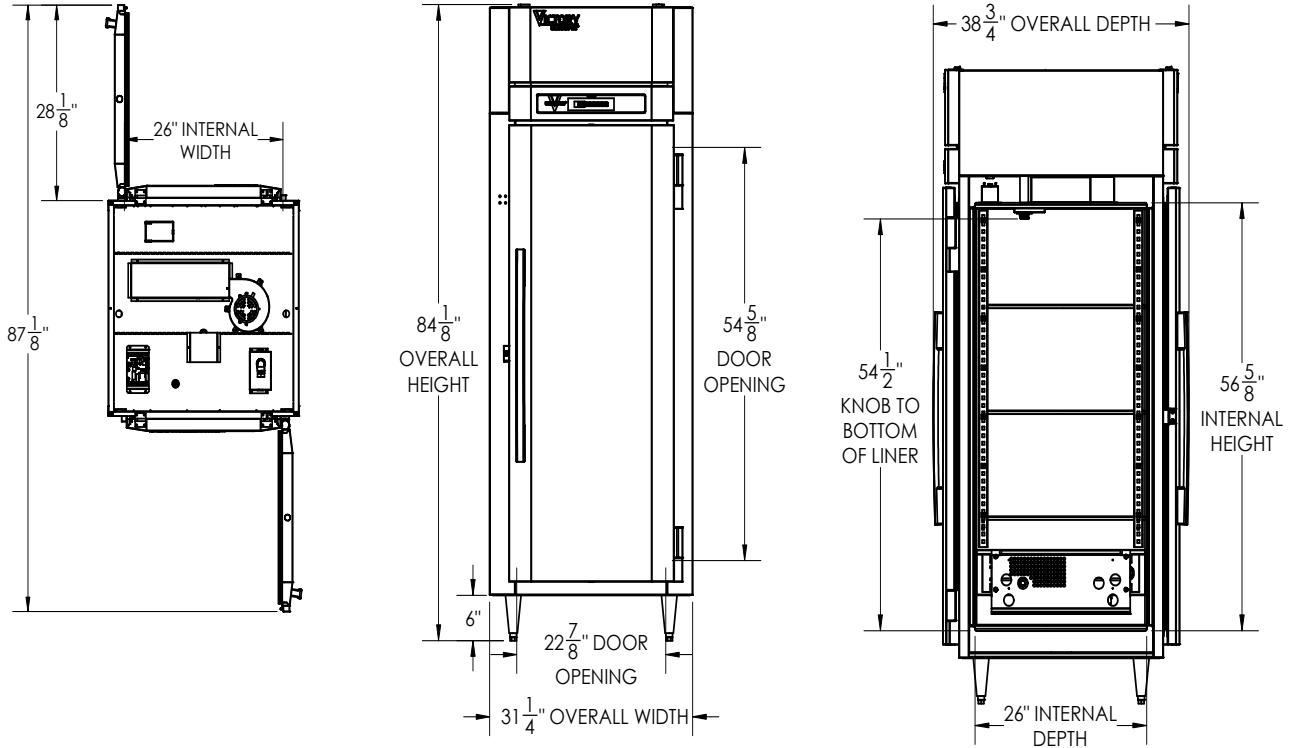
3779 Champion Blvd, Winston-Salem, NC 27105

ph: (888) 845-9800 | fax: (800) 253-5168

Sales@VictoryRefrigeration.com | VictoryRefrigeration.com

Rev. 7/1/24 Printed in U.S.A.

APPROVAL: \_\_\_\_\_ DATE: \_\_\_\_\_



We reserve the right to change specifications and product design without notice. Such revisions do not entitle the buyer to corresponding changes, improvements, additions or replacements for previously purchased equipment. Dimensional tolerances +/- 1/4". Metric dimensions (MM)

12" Top clearance is required

CHARACTERISTICS		ELECTRICAL DATA		SHIPPING DETAILS	
Net Capacity (cubic ft.)	26.2	Cabinet Voltage	208-240/60/1	Height	88"
Width, Overall (in.)	31 1/4"	Total Amperes	6.8	Width	39"
Depth, Overall (with handle)	38 3/4"	NEMA Plug (8' cord)	6-20P	Depth	45"
Height Overall (6" legs)	84 1/8"	Heater Watts	1500	Crated Weight	537 lbs
Depth, Door Open 90°	87 1/8"				
Door Openings (in.)	22 7/8" x 54 5/8"				
No. Of Doors/Shelves	2/3				

3779 Champion Blvd, Winston-Salem, NC 27105 | ph: (888) 845-9800 | fax: (800) 253-5168

Sales@VictoryRefrigeration.com | VictoryRefrigeration.com

Rev. 7/1/24 Printed in U.S.A.