

## Drop-in Self-Leveling Dispensers

### Adjust-a-Fit® - Open, Shielded and Heated, ADA Height

#### Models

90225, 91225, 92225, 93225, 194225  
90325, 91325, 92325, 93325, 193225  
91425, 92425, 93425, 194425



Model 92225  
Open



Model 92325  
Shielded



Model 92425  
Heated

#### Adjustable Diameter And Dispensing Height Adjustments Without Tools

#### Features

- Overall height to ring of 25"
- Five tube sizes, each with a 3¼" diameter adjustment range.
- Thermostatic control with minimum 100°F (38°C) - maximum 175°F (79°C).
- All models have a 22" plate stacking capacity.

#### Benefits

- Overall height allows for fit into ADA height-compliant counters
- Field-adjustability for spring tension and plate diameter allows for use with multiple size plates



#### Specifications

Unit is of welded stainless steel construction. Dispenser is designed to hang from counter surface opening by an 18-gauge flange ring and feature three each 22-gauge vertical side supports welded to 20-gauge bottom plate. Overall height from flange ring to base of 25" (635 mm) allows for fit into ADA height-compliant counters. Self-leveling dish carriage is of welded stainless steel construction and travels vertically in dispenser tube with 3 sets of nylon roller guides for smooth operation. Carriage has 22-gauge removable dish platform. Unit features flange mounted perimeter extension springs, which are detachable from the dish carriage to provide adjustment without tools for various dish weights. Unit also features three stainless steel dish guides running the entire height of the dispenser. Dish guides pivot to provide diameter adjustability of 3-1/4" (83 mm) without tools or removing components to accommodate various dish diameters. Unit has a vertical plate stacking capacity of 22" (589 mm). Unit is NSF and UL listed.

*Specifications continued on back.*

Lakeside Manufacturing, Inc.

4900 West Electric Avenue • West Milwaukee, WI 53219 U.S.A.

800-558-8565 • 414-902-6400 • Fax 414-902-6446 • info@eLakeside.com • www.eLakesideFoodservice.com

# Drop-in Self-Leveling Dispensers

Adjust-a-Fit® - Open, Shielded and Heated

## Models

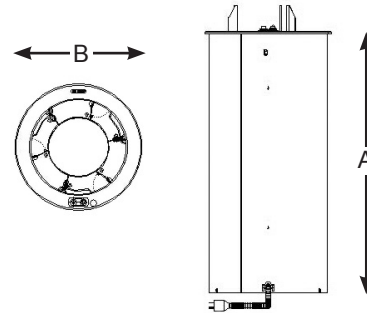
90225, 91225, 92225, 93225, 194225  
 90325, 91325, 92325, 93325, 193225  
 91425, 92425, 93425, 194425

## Specifications Continued

Heated Models Only: Unit is 120 VAC 60 Hz and has 5' (1524 mm) power supply cable with L5-15P NEMA twist lock plug for 120 VAC. Dispenser tubes are fully enclosed in 22 gauge stainless steel, and have a circular bottom mounted 300 or 450 watt heater element to provide convection heat. Heating system features thermostatic control in a tamper protective location with safe high-end shut off. Control has infinite settings between low and high temperature cut-outs. Thermostat is field adjustable for average interior air temperature between 100° F (38° C) and 175° F (79° C) at middle adjustable thermostatic setting. On-off switch and power indicator light are mounted on top flange of dispenser. Average dish temperature rise of 40° F (22° C) above ambient is achieved within one hour of initial heating cycle at middle adjustable thermostatic setting. Unit is UL listed.

## OPTIONAL ACCESSORIES

- Stainless steel dispenser covers
- 208/240 VAC 60Hz (heated models)
- 220 VAC 50 Hz (heated models)



AutoCAD drawings available through KCL CADalog

## Model Information

Model	Accommodates Plate Size		Height To Ring (A)		Top Ring Diameter (B)		Counter Cut-Out		Electrical		lbs.	(kg.)
									Watts	Amps		
<b>Open Models</b>												
90225	2-3/4" to 6"	(970 to 152)	24 3/4"	(635)	10"	(254)	9-1/8"	(232)	-	-	13	(5.9)
91225	4-1/4" to 7-1/2"	(108 to 191)	24 3/4"	(635)	11-1/2"	(292)	10-5/8"	(270)	-	-	15	(6.8)
92225	6-1/2" to 9-3/4"	(165 to 248)	24 3/4"	(635)	13-3/4"	(349)	12-7/8"	(327)	-	-	18	(8.2)
93225	8-3/4" to 12"	(222 to 305)	24 3/4"	(635)	16"	(406)	15-1/8"	(384)	-	-	20	(9.1)
194225	10" to 13-1/4"	(254 to 337)	24 3/4"	(635)	17-1/16"	(432)	16-1/4"	(413)	-	-	21	(9.6)
<b>Shielded Models</b>												
90325	2-3/4" to 6"	(970 to 152)	25"	(635)	10"	(254)	9-1/8"	(232)	-	-	20	(9.1)
91325	4-1/4" to 7-1/2"	(108 to 191)	25"	(635)	11-1/2"	(292)	10-5/8"	(270)	-	-	22	(10)
92325	6-1/2" to 9-3/4"	(165 to 248)	25"	(635)	13-3/4"	(349)	12-7/8"	(327)	-	-	27	(12.2)
93325	8-3/4" to 12"	(222 to 305)	25"	(635)	16"	(406)	15-1/8"	(384)	-	-	31	(14.1)
194325	10" to 13-1/4"	(254 to 337)	25"	(635)	17-1/16"	(432)	16-1/4"	(413)	-	-	32	(14.5)
<b>Heated Models</b>												
91425	4-1/4" to 7-1/2"	(108 to 191)	25"	(635)	11-1/2"	(292)	10-5/8"	(270)	300	2.5	25	(11.3)
92425	6-1/2" to 9-3/4"	(165 to 248)	25"	(635)	13-3/4"	(349)	12-7/8"	(327)	450	3.8	30	(13.6)
93425	8-3/4" to 12"	(222 to 305)	25"	(635)	16"	(406)	15-1/8"	(384)	450	3.8	34	(15.4)
194425	10" to 13-1/4"	(254 to 337)	25"	(635)	17-1/16"	(432)	16-1/4"	(413)	450	3.8	35	(15.9)

Measurements in ( ) denote metric millimeters, unless otherwise specified.



Lakeside Manufacturing, Inc.  
 4900 West Electric Avenue • West Milwaukee, WI 53219 U.S.A.  
 800-558-8565 • 414-902-6400 • Fax 414-902-6446  
 info@eLakeside.com • www.eLakesideFooservice.com