



**FOOD EQUIPMENT**

**SERVING THE FOOD INDUSTRY SINCE 1951**

# 12 L DOUBLE SLUSH MACHINE

Items: 47082 | Model: DI-CN-0024-X



## COOL DOWN WITH A REFRESHING SLUSHIE

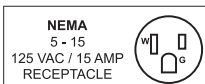
What is better than serving an icy slushie on a hot summer day? With Omcan's efficient and reliable double slush machine, you can make the perfectly chilled slushie at all times. It is perfect for any size business.



**WARRANTY**  
PARTS AND LABOR



Intertek Intertek



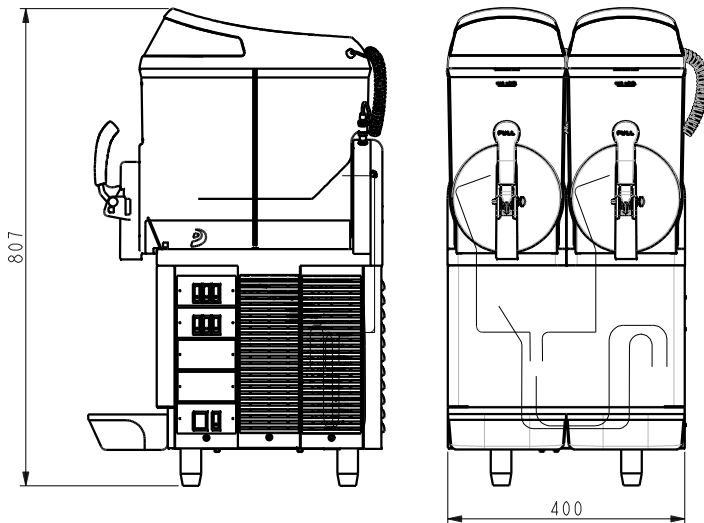
Authorized Dealer

### TECHNICAL SPECIFICATIONS

<b>Item</b>	47082
<b>Model</b>	DI-CN-0024-X
<b>Power</b>	580 W
<b>Electrical</b>	115V / 60Hz / 1Ph
<b>Capacity</b>	12 L (x2)   3.2 Gallons
<b>Temperature</b>	-2°C   28.4°F
<b>Refrigerant</b>	R404A
<b>Current</b>	5.5 Amps
<b>Weight</b>	101.4 lbs   46 kg
<b>Gross Weight</b>	119.1 lbs   54 kg
<b>Dimensions (WDH)</b>	15.7" x 19.6" x 31.8" 400 x 497 x 807 mm
<b>Gross Dimensions</b>	19.3" x 22.4" x 34.3" 490 x 570 x 870 mm

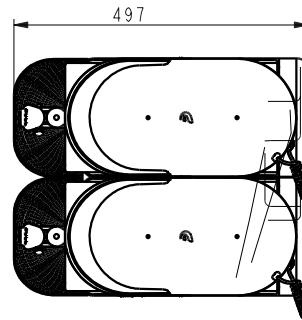


### TECHNICAL DRAWINGS & DIMENSIONS



### FEATURES:

- Front made from stainless steel, with illuminated top lenses
- Total of 24L capacity, each bowl capacity is 12L
- On/off switch for refrigeration,
- Rotating auger, independently controlled
- Adjustable thermostat to change from slushy to chilled drink mode



\*measurements in diagrams are in mm

## OMCAN INC.

Telephone: 1-800-465-0234  
 Fax: (905) 607-0234  
 Email: sales@omcan.com  
 Website: www.omcan.com



Follow us to keep up to date with the latest news and offers

