



**IMPORTANT FOR FUTURE REFERENCE**

Please complete this information and retain this manual for the life of the equipment:

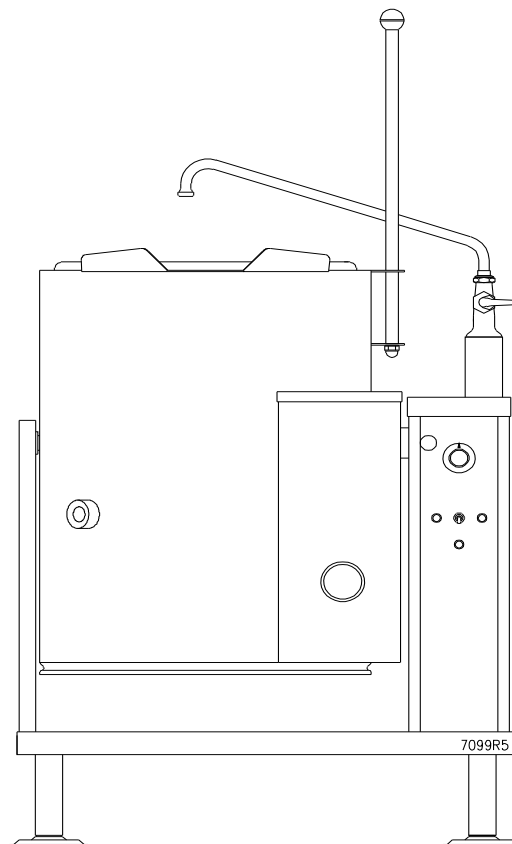
Model #: \_\_\_\_\_

Serial #: \_\_\_\_\_

Date Purchased: \_\_\_\_\_

## PARTS LIST


### Gas Fired Steam Jacketed Tilting Kettle GC-12



### WARNING

Improper installation, adjustment, alteration, service or maintenance can cause property damage, injury or death. Read the installation, operating and maintenance instructions thoroughly before installing or servicing this equipment.

### CROWN FOOD SERVICE EQUIPMENT

 A Middleby Company

70 Oakdale Road, Downsview (Toronto) Ontario, Canada, M3N 1V9

Telephone: 919-762-1000

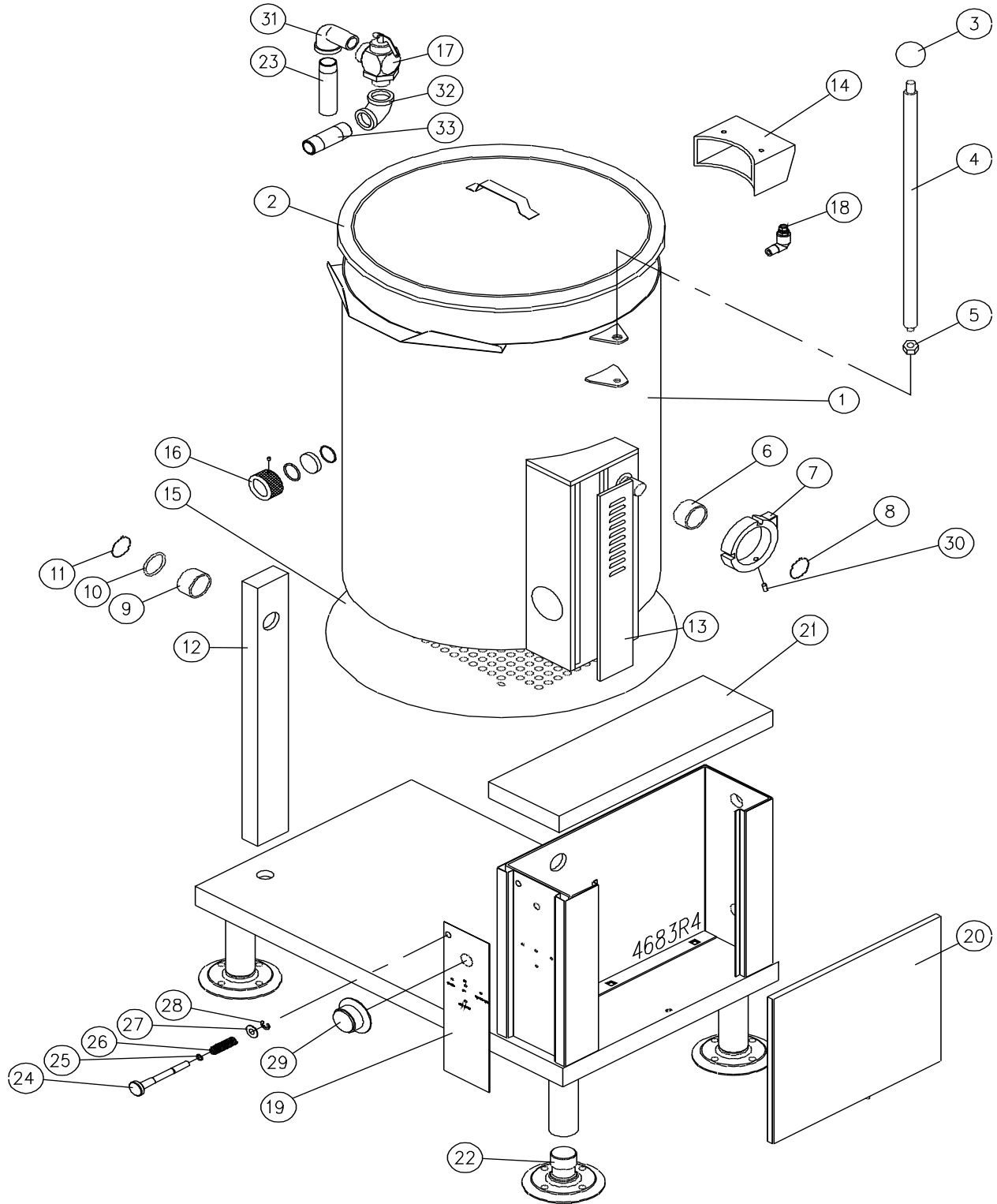
[www.crownsteamgroup.com](http://www.crownsteamgroup.com)

Printed in Canada



PARTS LIST, GAS SELF-CONTAINED KETTLE, MODEL GC-12

FIGURE 1



PARTS LIST, GAS SELF-CONTAINED KETTLE, MODEL GC-12

**FIGURE 1**

<u>ITEM</u>	<u>PART NUMBER</u>	<u>DESCRIPTION</u>	<u>QUANTITY</u>	
1.	1277-1	Kettle Assembly	1	
2.	6648-1	Lid Assembly	1	
3.	2-KB01	Knob	1	
4.	5280-1	Handle	1	
5.	9031-9	Acorn Nut, 1/2 - 13 NC	1	
6.	5017-1	Bearing	1	
7.	5519-1	Actuator Collar	1	
8.	9047-2	Retaining Ring	1	
9.	5008-1	Bearing	1	
10.	5014-1	Washer	1	
11.	9047-1	Retaining Ring	1	
12.	6657-1	Leg Post	1	
13.	4686-1	Trunnion Box Side Panel	1	
14.	6994-1	Flue Assembly	1	
15.	0665-1	Bottom Cover	1	
16.	6664-1	Sight Glass Assembly	1	
		Includes the Following Parts:		
**	6661-1	Sight Glass Cap	1	
**	9075-2	Set Screw	1	
**	2-121R	"O" Ring	1	
**	5022-1	Sight Glass	1	
**	2-023R	"O" Ring	1	
17.	3-SRV9-1	Relief Valve, 50 PSI	1	
18.	3-AV01	Air Vent Assembly	1	
**	19.	6660-2	Operating Label, English	1
		6800-2	Operating Label, French	1

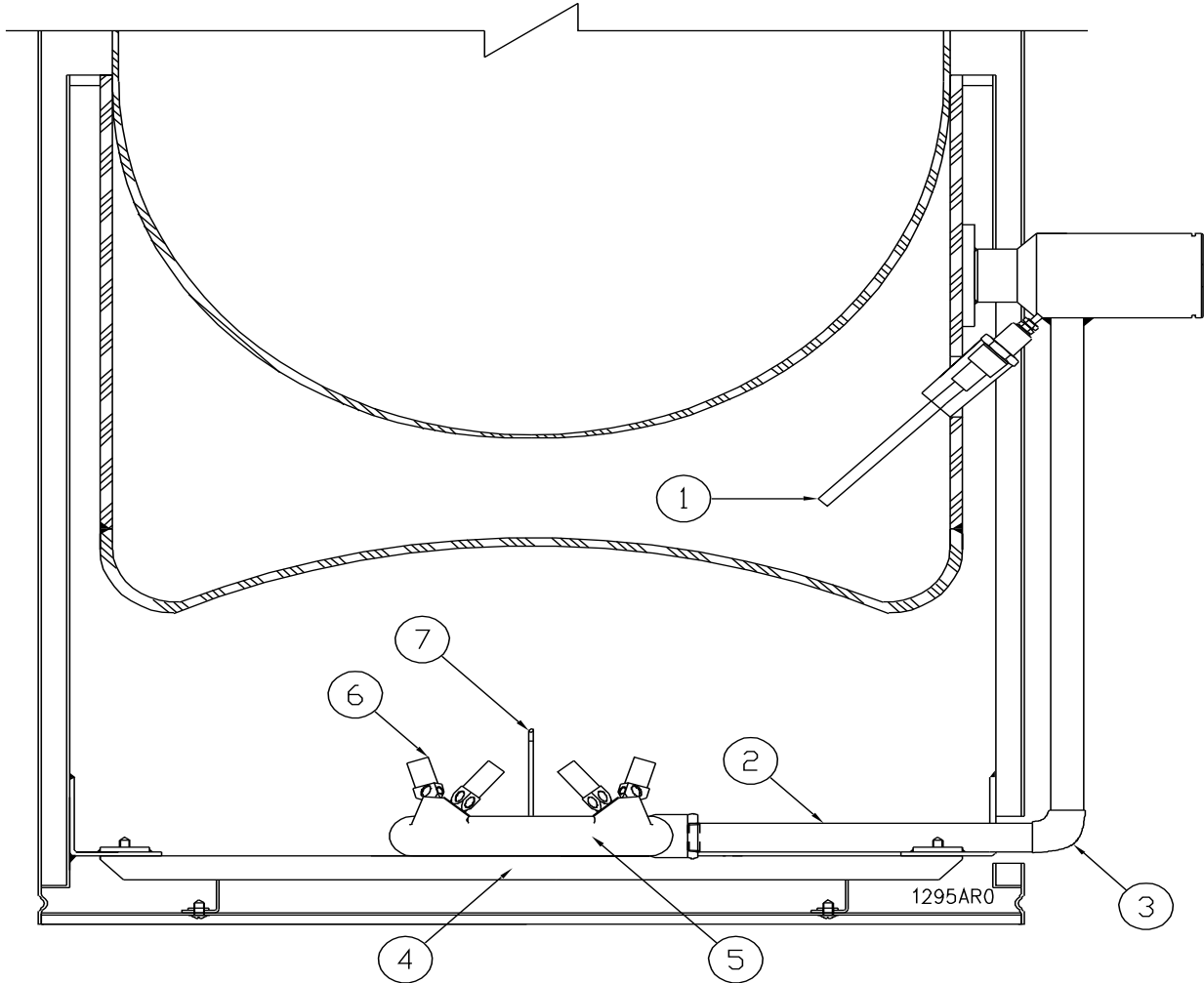
PARTS LIST, GAS SELF-CONTAINED KETTLE, MODEL GC-12

<u>ITEM</u>	<u>PART NUMBER</u>	<u>DESCRIPTION</u>	<u>QUANTITY</u>
20.	5025-1	Side Panel	1
21.	4687-1	Console Cover	1
22.	8-1308	Flanged Foot	4
23.	5184-1	Down Tube	1
24.	4608-1	Lock Pin	1
25.	2-011R	"O" Ring	1
26.	4623-1	Spring	1
27.	F05N-38	Flat Washer	2
28.	1-XR33	External Ring Clip	1
29.	4-TD02	Thermostat Dial	1
30.	S08P-1420-58	Hex Set Screw	1
31.	9012-4P	Street Elbow, 90° Black Iron 3/4"	1
32.	9011-4P	Elbow 90° Black Iron, 3/4 NPT	1
33.	9010-030	Nipple, 3/4-SCH. 40 x 3 Lg.	1

\*\* SELECT AS REQUIRED.

PARTS LIST, GAS SELF-CONTAINED KETTLE, MODEL GC-12

**FIGURE 2**



PARTS LIST, GAS SELF-CONTAINED KETTLE, MODEL GC-12

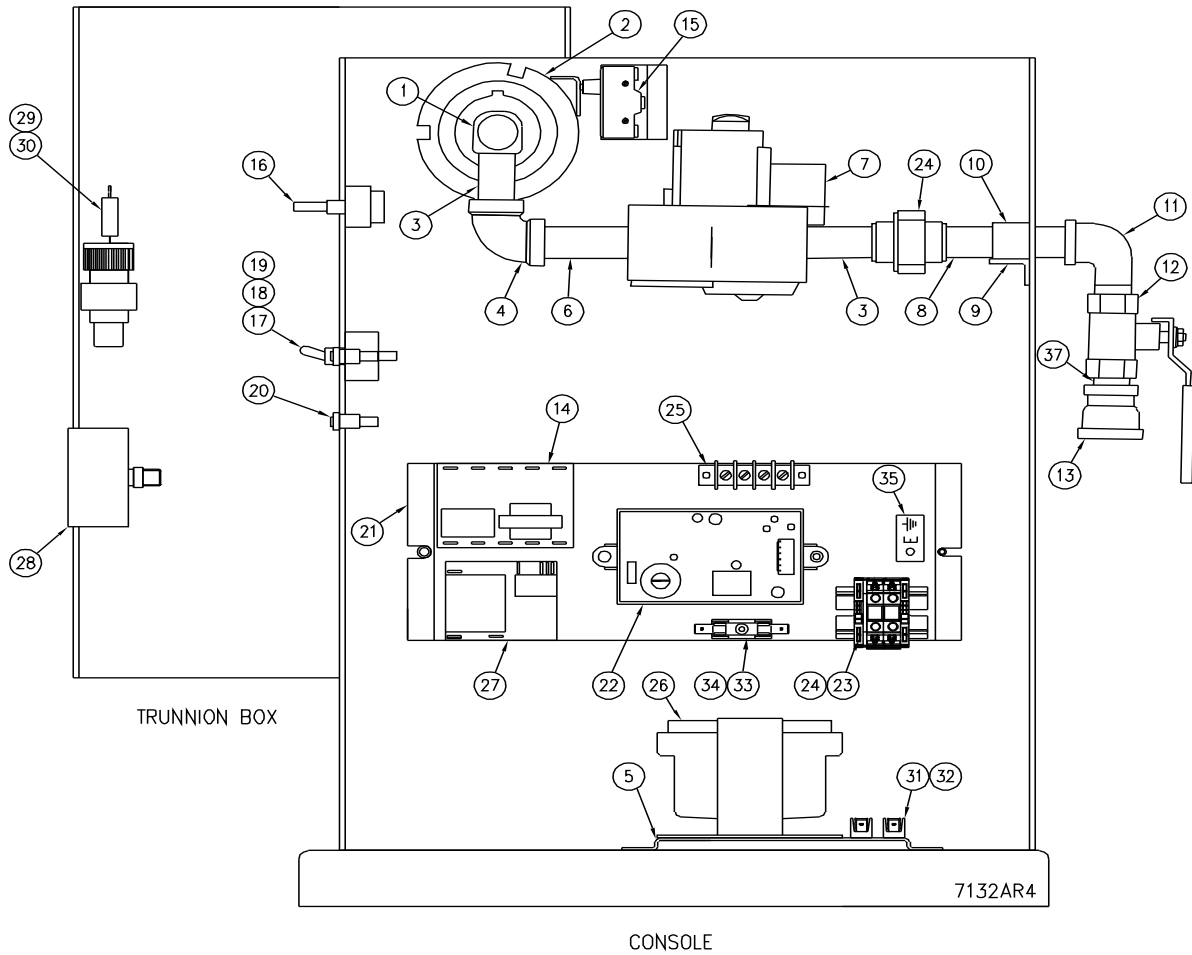
**FIGURE 2**

<u>ITEM</u>	<u>PART NUMBER</u>	<u>DESCRIPTION</u>	<u>QUANTITY</u>	
1.	3738-3	Low Water Probe	1	
2.	5023-1	Pipe, 3/8" x 7-1/2" Length	1	
3.	9011-2	Elbow, 3/8"	1	
4.	6995-1	Burner Support Channel	1	
5.	4950-1	Burner	1	
**	6.	4951-1	Orifice Jet, #57 Natural Gas	10
		4951-2	Orifice Jet, .70 mm LP Gas	10
7.	6692-1	Electrode Assembly	1	

\*\* SELECT AS REQUIRED

PARTS LIST, GAS SELF-CONTAINED KETTLE, MODEL GC-12

**FIGURE 3**



PARTS LIST, GAS SELF-CONTAINED KETTLE, MODEL GC-12

**FIGURE 3**

<u>ITEM</u>	<u>PART NUMBER</u>	<u>DESCRIPTION</u>	<u>QUANTITY</u>	
1.	9196-1	1/2" Gas Swivel Joint	1	
2.	5519-1	Tilt Lock, Actuator Collar	1	
3.	9009-020	Nipple, 1/2" x 2"	2	
4.	9011-3	Elbow, 1/2"	1	
5.	4945-1	Transformer Bracket	1	
6.	9009-030	Nipple, 1/2" x 3"	2	
**	7.	5188-1	Gas Control Valve (Natural)	1
		5188-2	Gas Control Valve (L.P)	1
8.	9009-040	Nipple, 1/2" x 4"	1	
9.	5015-1	Gas Line Support	1	
10.	5016-1	3/8 Pipe Strap	1	
11.	9012-3	90° Street Elbow, 1/2"	1	
12.	4918-1	Ball Valve, 1/2"	1	
13.	9034-1	Reducing Coupling, 1/2" - 3/4"	1	
14.	4174-2	Temperature Control, 120V	1	
*	4309-1	Temperature Probe	1	
15.	4-M605	Micro-Switch	1	
16.	5517-1	Potentiometer	1	
*	9109-2	Rotary Shaft Seal	1	
17.	9110-1	Power Switch	1	
18.	4661-2	Pilot Light, Temperature, Red, 125V	1	
19.	4661-7	Pilot Light, Ignition, Green, 125V	1	
20.	4661-3	Pilot Light, Low Water, Amber, 125V	1	
21.	7131-1	Component Mounting Bracket	1	
22.	5373-2	Ignition Module (DSI System)	1	



PARTS LIST, GAS SELF-CONTAINED KETTLE, MODEL GC-12

<u>ITEM</u>	<u>PART NUMBER</u>	<u>DESCRIPTION</u>	<u>QUANTITY</u>	
23.	9390-2	Terminal Block	1	
		Includes the following parts:		
	9391-1	Modular Terminal	2	
	9392-1	End Plate	1	
	9393-1	End Clamp	2	
	9394-053	Mounting Rail, 53 mm	1	
24.	9015-3	Union, 1/2"	1	
25.	3877-2	Terminal Strip	1	
**	26.	4-T253	Transformer, 220/240-120, 50/60 Hz, 200VA	1
		4-T256	Transformer, 208-120, 60 Hz, 200VA	1
27.	3974-1	Water Level Control	1	
28.	4967-1	Pressure Gauge	1	
29.	116-6490	Pressure Switch	1	
30.	6662-1	Pressure Switch Bracket	1	
*	31.	9068-1	Fuse Holder, (208 - 240V Units)	2
*	32.	9092-1	Fuse, 250V, 1 Amp. (208 - 240V Units)	2
	33.	9068-1	Fuse Holder (120V Units Only)	1
	34.	9092-3	Fuse, 250V, 3 Amp. (120V Units Only)	1
	35.	4188-1	Earth Ground I.D. Tag	1
*		4-35EU	Ground Lug	1
*	36.	4127-3	Cord Set, (120V Units Only)	1
	37.	9009-000	Close Nipple, 1/2"	1

\* NOT SHOWN.

\*\* SELECT AS REQUIRED.