



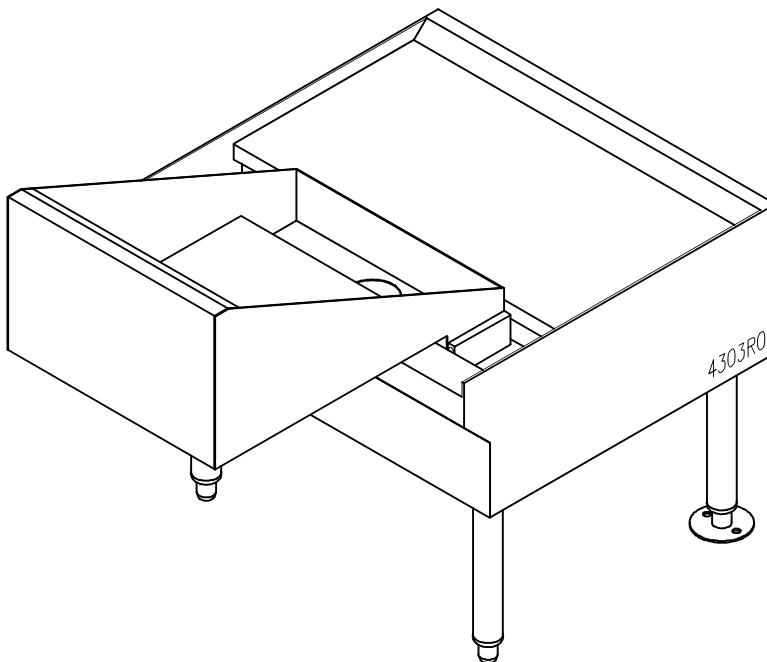
**IMPORTANT FOR FUTURE REFERENCE**  
Please complete this information and retain this manual for the life of the equipment:

Model #: \_\_\_\_\_  
Serial #: \_\_\_\_\_  
Date Purchased: \_\_\_\_\_

# PARTS LIST

## Standg

?H!&( ""?H!' \$""?H!( \$""?H!) \$""?H!\* ( ""?H!, \$



 **WARNING**

Improper installation, adjustment, alteration, service or maintenance can cause property damage, injury or death. Read the installation, operating and maintenance instructions thoroughly before installing or servicing this equipment.

**CROWN FOOD SERVICE EQUIPMENT**

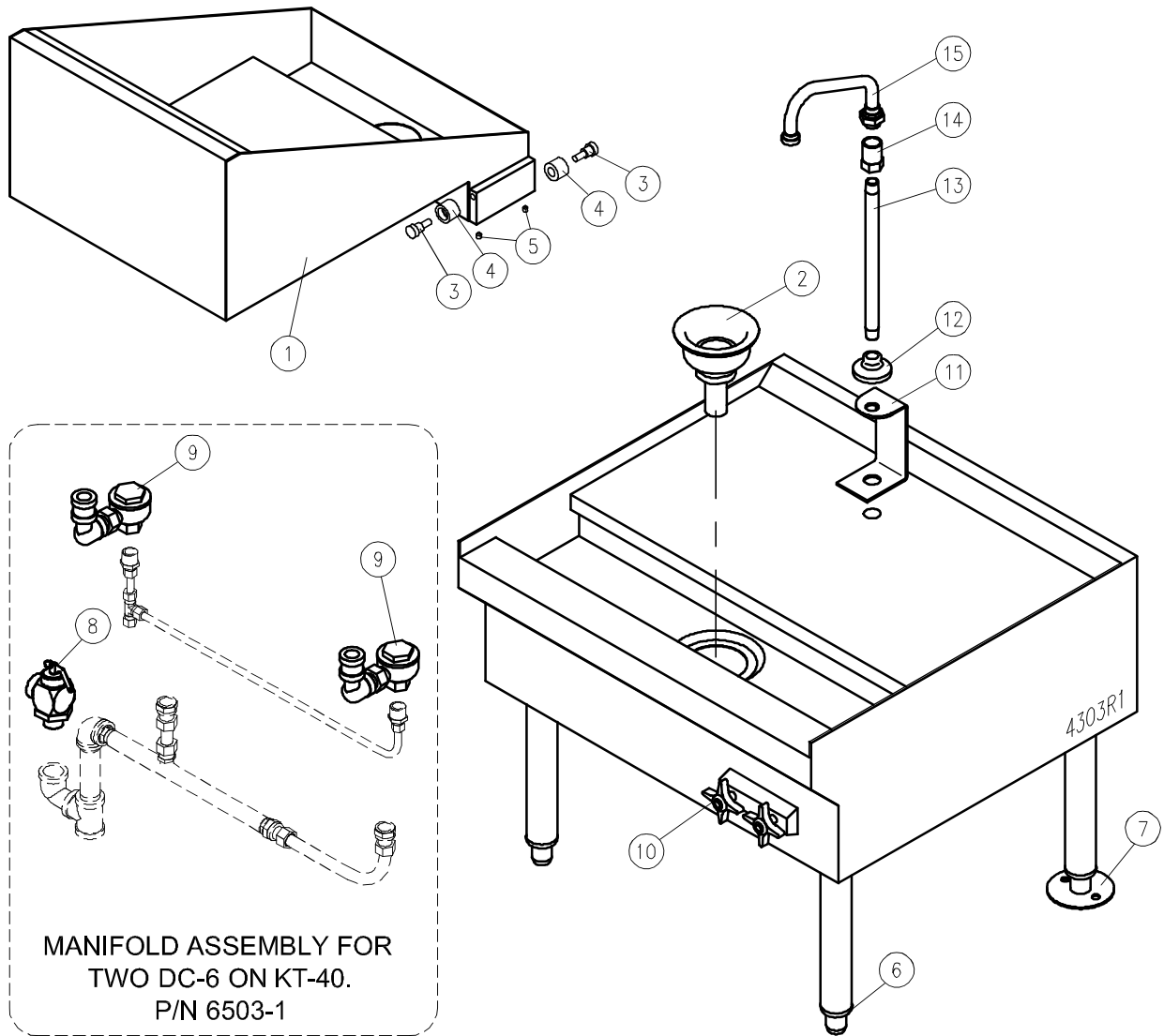
 A Middleby Company

70 Oakdale Road, Downsview (Toronto) Ontario, Canada, M3N 1V9  
Telephone: 919-762-1000      [www.crownsteamgroup.com](http://www.crownsteamgroup.com)

Printed in Canada



PARTS LIST, KETTLE TABLES, MODELS KT-26, KT-30, KT-40, KT-50, KT-64, KT-80



PARTS LIST, KETTLE TABLES, MODELS KT-26, KT-30, KT-40, KT-50, KT-64, KT-80

**KT TABLE**

<b>ITEM NUMBER</b>	<b>PART NUMBER</b>	<b>DESCRIPTION</b>	<b>QUANTITY</b>	
1	3-3339	Splash Guard	1	
2	4332-1	Basket Strainer Assembly	1	
3	3359-1	Roller Pin	4	
4	9-3245	Roller	4	
5	9061-8	Hex Socket Set Screw	4	
6	5-FS64	Bullet Foot Insert	2	
7	4911-1	Flanged Foot Insert	2	
8	S-SRV9-1	Safety Relief Valve, 50 PSI	1	
9	3-TST4	Steam Trap, 1/2"	2	
10	9-3448	Mixer Valve	1	
11	5251-1	Faucet Riser Bracket	1	
12	9-3106	Mounting Base	1	
**	13	9-3447-2	Riser, 18" Long	1
**	13	9-3447-4	Riser, 10" Long	1
	14	9-3107	Swivel	1
**	15	9-3105-1	Swing Spout, 6"	1
**	15	9-3105-2	Swing Spout, 12"	1

\* NOT SHOWN.

\*\* SELECT AS REQUIRED.