



IMPORTANT FOR FUTURE REFERENCE

Please complete this information and retain this manual for the life of the equipment:

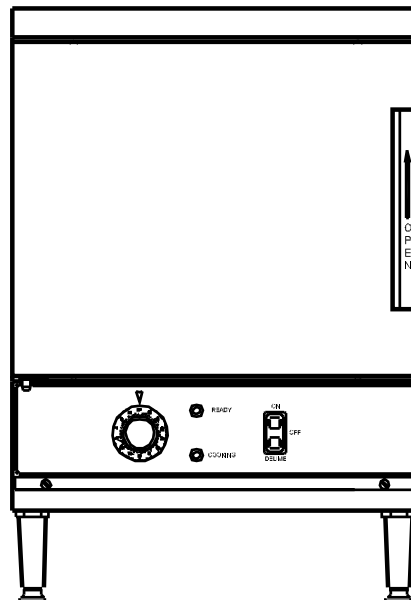
Model #: _____

Serial #: _____

Date Purchased: _____

PARTS LIST


Electric Counter Convection Steamer SXN-4



WARNING

Improper installation, adjustment, alteration, service or maintenance can cause property damage, injury or death. Read the installation, operating and maintenance instructions thoroughly before installing or servicing this equipment.

CROWN FOOD SERVICE EQUIPMENT

 A Middleby Company

70 Oakdale Road, Downsview (Toronto) Ontario, Canada, M3N 1V9

Telephone: 919-762-1000

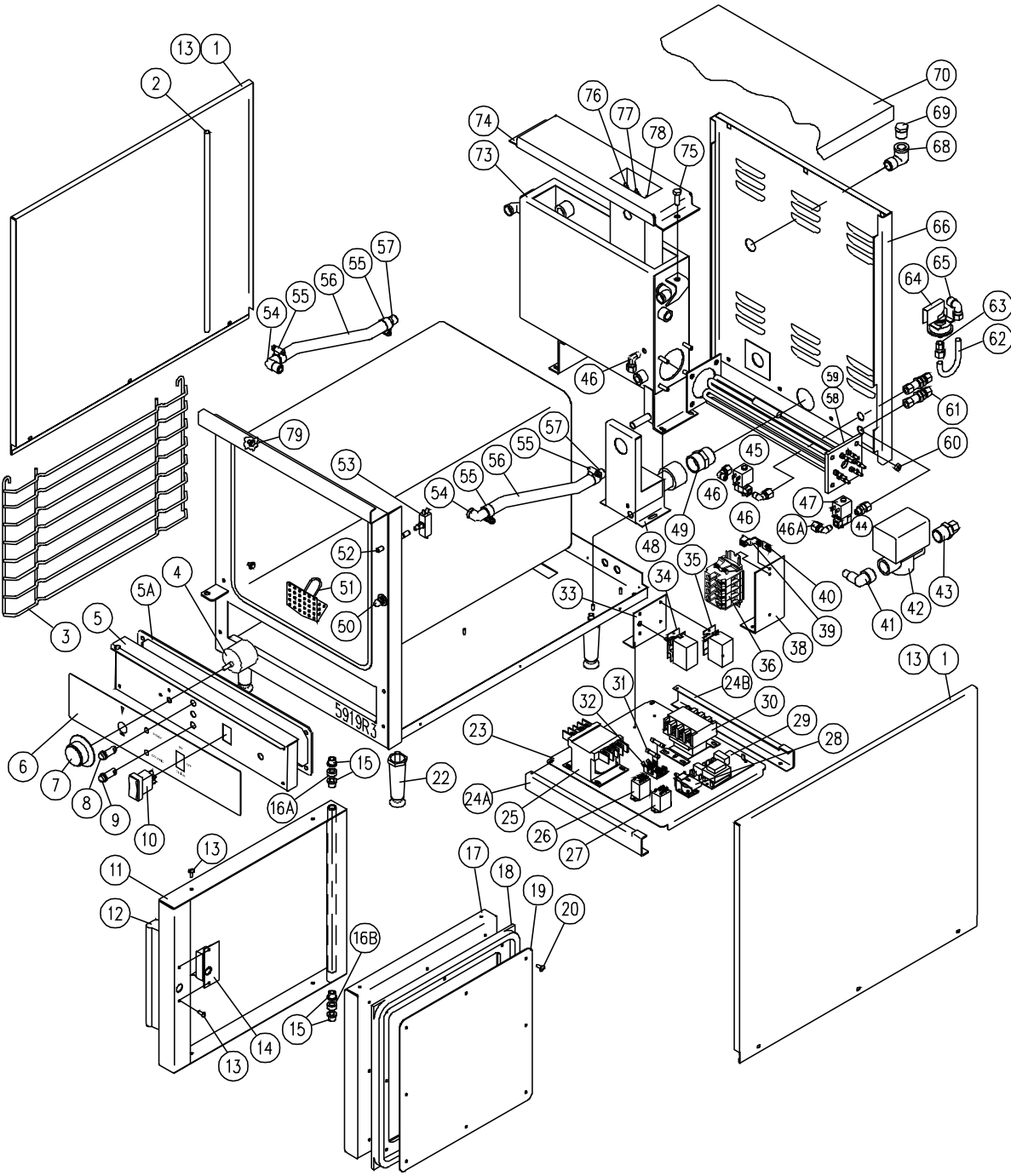
www.crownsteamgroup.com

Printed in Canada



PARTS LIST, ELECTRIC COUNTER CONVECTION STEAMER, MODEL SXN-4

FIGURE 1



PARTS LIST, ELECTRIC COUNTER CONVECTION STEAMER, MODEL SXN-4

FIGURE 1

<u>ITEM</u>	<u>PART NO.</u>	<u>DESCRIPTION</u>	<u>QUANTITY</u>	
1.	7964-1	Cover Side	2	
2.	8-5077-7	Hinge Rod	1	
3.	2681-2	Pan Rack	2	
**	4.	4-T209-1	Timer 60 Minutes, 240V	1
		9386-2	Timer 120 Minutes, 240V, Optional	1
*		9109-1	Rotary Shaft Seal	1
5.	8183-1	Control Panel	1	
5A.	5923-1	Front Panel Gasket	1	
**	6.	7958-1	Control Panel Decal, Red	1
		7958-2	Control Panel Decal, Burgundy	1
**	7.	4103-1	Timer Dial, 60 Minutes, 50 Hz, Optional	1
		4104-1	Timer Dial, 60 Minutes, 60 Hz	1
		9387-1	Timer Dial, 120 Minutes, 60 Hz, Optional	1
8.	4-PL04-1	Pilot Light, Green, 250V	1	
9.	4-PL07-1	Pilot Light, Red, 250V	1	
10.	9124-1	Power Switch	1	
11A.	8-5076-7	Door Assembly	1	
11.	2837-1	Outer Door Shell	1	
12.	3903-2	Door Handle Assembly	1	
*		3646-1	Decal	1
*		4090-2	Door Handle	1
*		4089-2	Door Handle Plate	1
*		M68S-1420-134	Socket Set Screw, 1/4 - 20 UNC x 1-3/4	2
*		M68S-1420-34	Socket Set Screw, 1/4 - 20 UNC x 3/4	1
*		4088-1	Spacer	2

PARTS LIST, ELECTRIC COUNTER CONVECTION STEAMER, MODEL SXN-4

<u>ITEM</u>	<u>PART NO.</u>	<u>DESCRIPTION</u>	<u>QUANTITY</u>	
*	S01S-14	Split Lockwasher, 1/4	2	
*	9030-1	Hex Nut, 1/4 - 20 UNC	2	
13.	M33S-1032-12	Truss Hd. Screw 10-32 UNF x 1/2	12	
14.	8-5068-9	Latch Assembly	1	
15.	8-5078	Door Bushing	4	
16A.	5716-1	Spacer, Upper	1	
16B.	5717-1	Spacer, Lower	1	
17.	8-5065-7	Door Panel	1	
18.	8-5063-7	Door Gasket	1	
19.	8-5064-7	Gasket Retainer	1	
20.	9423-1	Special Screw	8	
*	21.	3502-1	Steam Diverter	2
	22.	5-FS66	Adjustable Leg	4
	23.	7961-1	Component Mounting Board	1
	24A.	7962-1	Rail Bracket, Front	1
	24B.	7962-2	Rail Bracket, Rear	1
* **	25.	4-T251	Transformer, 380/220V, 50/60 Hz, 100VA	1
		4-T251	Transformer, 415/240V, 50/60 Hz, 100VA	1
		4-T255	Transformer, 480/240V, 60 Hz, 100VA	1
	26.	9332-2	Relay, DPDT, 240V	1
	27.	9332-2	Relay, DPDT, 240V (Single Pole in Use)	1
	28.	4742-1	Buzzer, 240V	1
**	29.	4038-3	Level Control Board, 10K, OHM	1
		5230-2	Level Control Board, 1M, OHM	2
**	30.	4-CG42-1	Contactator, 4 Pole, (208 - 240V)	1
		9348-208	Contactator, 3 Pole, (380-480V)	1

PARTS LIST, ELECTRIC COUNTER CONVECTION STEAMER, MODEL SXN-4

<u>ITEM</u>	<u>PART NO.</u>	<u>DESCRIPTION</u>	<u>QUANTITY</u>	
**	31.	9092-2	Fuse, 2 Amp, 250V (208, 240V)	2
		9092-2	Fuse, 2 Amp, 250V (380/220, 415V/240V)	1
		9001-2	Fuse, 600V, 1/2 Amp (380-480V)	2
**	32.	9068-1	Fuse Holder (208-240V)	2
		9068-1	Fuse Holder (380/220, 415/240V)	1
		9002-1	Fuse Holder (380-480V)	2
	33.	5916-1	Thermostat Bracket	1
	34.	9126-1	Thermostat, Operating	1
	35.	9128-1	Thermostat, High Limit	1
**	36.	6161-3	MODULAR TERMINAL ASSEMBLY, 3 Pole (380-480V) Includes the following parts:	1
		9374-1	Modular Terminal, Grey	3
		9375-1	End Plate	1
		9369-1	End Clamp	2
		9368-079	Mounting Rail, 79 mm	1
		6161-4	MODULAR TERMINAL ASSEMBLY, 4 Pole, Terminal Block, (208-240V)	1
		9374-1	Modular Terminal, Grey	4
		9375-1	End Plate	1
		9369-1	End Clamp	2
		9368-098	Mounting Rail, 98 mm	1
		6161-4N	MODULAR TERMINAL ASSEMBLY, 3 Pole with Neutral, (380/220, 415/240, Includes the following parts:	1
		9374-1	Modular Terminal, Grey	3
		9374-2	Modular Terminal, Blue	1
		9375-1	End Plate	1

PARTS LIST, ELECTRIC COUNTER CONVECTION STEAMER, MODEL SXN-4

<u>ITEM</u>	<u>PART NO.</u>	<u>DESCRIPTION</u>	<u>QUANTITY</u>
	9369-1	End Clamp	2
	9368-098	Mounting Rail, 98 mm	1
37.	4195-3	Label, Delime (Rear of Unit)	1
38.	5917-1	Terminal Block Bracket	1
39.	4-70EU	Ground Lug	1
40.	4188-1	Earth I.D. Tag	1
41.	3-698E	Elbow, Brass, 1/2 C x 3/4 MPT	1
42.	3-S543-1	Solenoid Valve, Blowdown, 240V	1
43.	3-688E	Connector, Brass, 1/2 C x 3/4 MPT	1
44.	3-686A	Connector, Brass, 3/8 C x 1/8 MPT	1
45.	5162-2	Solenoid Valve, Fill, 240V	1
46.	3-696A	Elbow, Brass, 3/8 C x 1/8 MPT	3
46A.	3-694A	Elbow, Brass, 1/4C x 1/8 MPT	1
47.	5162-2	Solenoid Valve, Cooling, 240V	1
48.	7965-1	Drain Box (Not Serviceable)	1
49.	4771-1	Adapter, 1 M x 1 M	1
50.	8-5021	Striker Pin	1
*	8-5022	Front Washer	1
*	S01X-12	Split Lockwasher, 1/2	1
*	1-99S0	Hex Nut, 1/2-20 UNF, Stainless Steel.	1
51.	5224-2	Compartment Strainer	1
52.	9-3336	Actuator c/w Retaining Rings	1
53.	9-3213	Door Switch	1
54.	3-116CB	Forged Str. Elbow, 90°, Brass, 3/8 FPT x 1/4 MPT	2
*	9053-7	Hose Coupler, Brass, 5/8 x 3/8 MPT	2

PARTS LIST, ELECTRIC COUNTER CONVECTION STEAMER, MODEL SXN-4

<u>ITEM</u>	<u>PART NO.</u>	<u>DESCRIPTION</u>	<u>QUANTITY</u>	
55.	9017-2	Gear Clamp, 3/8" - 7/8"	4	
56.	9219-114	Blue Silicone Hose, R.H., 5/8 I.D. x 11-1/2	1	
	9219-114	Blue Silicone Hose, L.H., 5/8 I.D. x 11-1/2	1	
57.	3-1258C	Hose Barb, Brass 1/2 x 3/8 MPT	2	
**	58.	7972-1008	Element Assembly, 10 kW, 208V	1
		7972-1020	Element Assembly, 10 kW, 380/220V	1
		7972-1040	Element Assembly, 10 kW, 415/240V	1
		7972-1077	Element Assembly, 10 kW, 480V (277)	1
59.	5869-1	Element Gasket	1	
60.	9030-1	Hex Nut, 1/4 - 20 UNC	4	
61.	3-776	Bulkhead Union, Brass, 3/8 C	2	
62.	5918-1	Pressure Switch Tube, 3/8	1	
63.	3-666A	Connector, Brass, 3/8 C x 1/8 FPT	1	
64.	5445-1	Pressure Switch, Safety	1	
65.	3-696C	Elbow 90°, Brass, 3/8 C x 3/8 MPT	1	
66.	7960-1	Back Panel	1	
*	67.	4204-56	Load Wire Harness	1
	68.	3-116D	Forged Street Elbow 90°, Brass 1/2 NPT	1
	69.	3-121D	Hex Hd. Plug, Brass, 1/2 NPT	1
	70.	7963-1	Top Cover	1
*		M23S-1420-12	Binding HD Screw, 1/4-20 UNC x 1/2	3
*	71.	9705-39-070	Tube, Condenser In, 3/8 x 7 Lg.	1
*	72.	9705-39-055	Tube, Generator In, 3/8 x 5-5/8 Lg.	1
	73.	7968-1	Generator Tank	1
	74.	7971-1	Tank Cover	1

PARTS LIST, ELECTRIC COUNTER CONVECTION STEAMER, MODEL SXN-4

<u>ITEM</u>	<u>PART NO.</u>	<u>DESCRIPTION</u>	<u>QUANTITY</u>	
*	5920-1	Tank Gasket	1	
75.	M50S-51618-1	Hex Hd. Bolt 5/16 - 18 UNC x 1 Lg.	2	
76.	3738-3	Probe, Low Level Cut Off, 5 Lg.	1	
77.	3738-2	Probe, Low Level 4.25 Lg.	1	
78.	4-LLP2	Probe, High Level, 3-11/16 Lg.	1	
79.	4721-1	Hanger Pin Assembly	6	
*	80.	9084-1	Nut Cage, 1/4 - 20 UNC	3
*	81.	6315-2	Tube, Valve to Generator	1

* NOT SHOWN.

** SELECT AS REQUIRED.