



IMPORTANT FOR FUTURE REFERENCE

Please complete this information and retain this manual for the life of the equipment:

Model #: _____

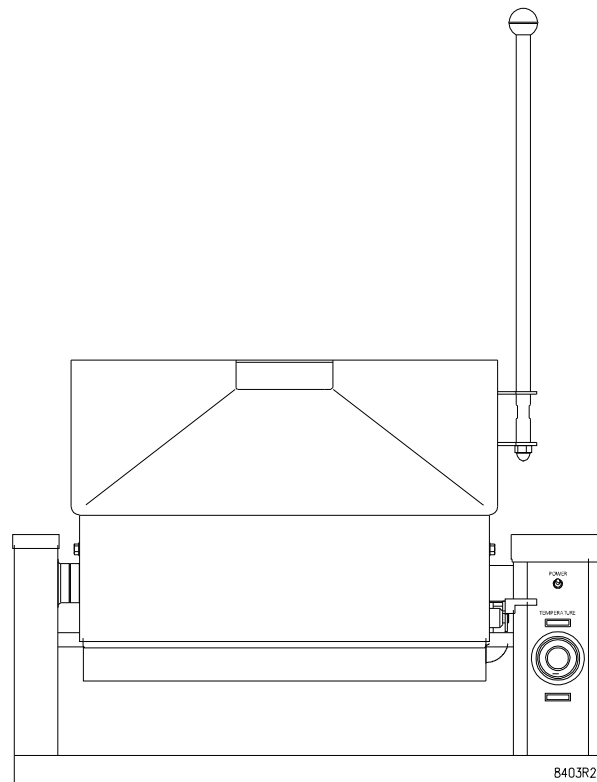
Serial #: _____

Date Purchased: _____

PARTS LIST

Gas Counter Tilting Skillets


GCTS-16



WARNING

Improper installation, adjustment, alteration, service or maintenance can cause property damage, injury or death. Read the installation, operating and maintenance instructions thoroughly before installing or servicing this equipment.

CROWN FOOD SERVICE EQUIPMENT

 A Middleby Company

70 Oakdale Road, Downsview (Toronto) Ontario, Canada, M3N 1V9

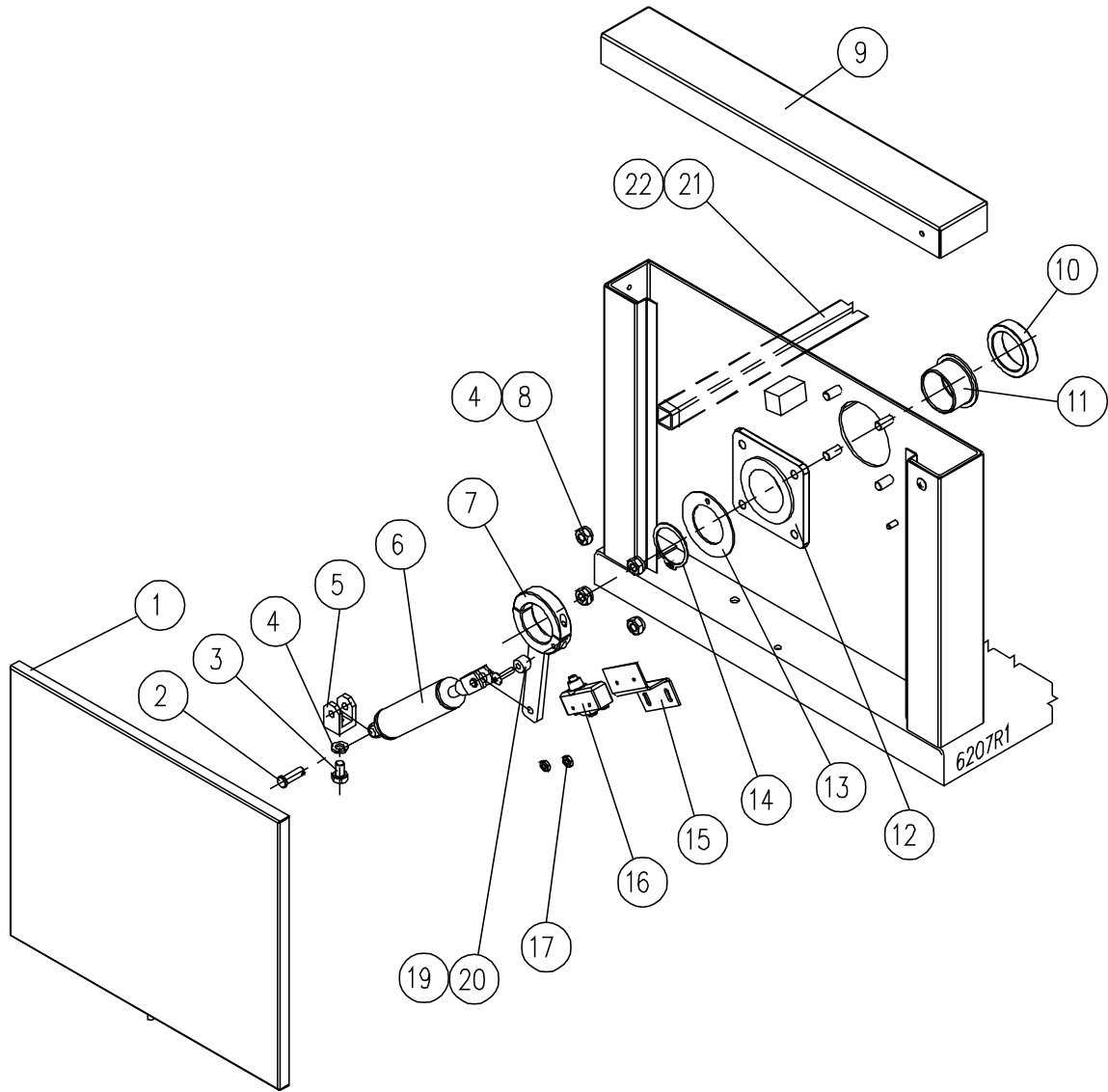
Telephone: 919-762-1000 www.crownsteamgroup.com

Printed in Canada



PARTS LIST, GAS COUNTER TILTING SKILLET, MODEL GCTS-16

FIGURE 1



PARTS LIST, GAS COUNTER TILTING SKILLET, MODEL GCTS-16

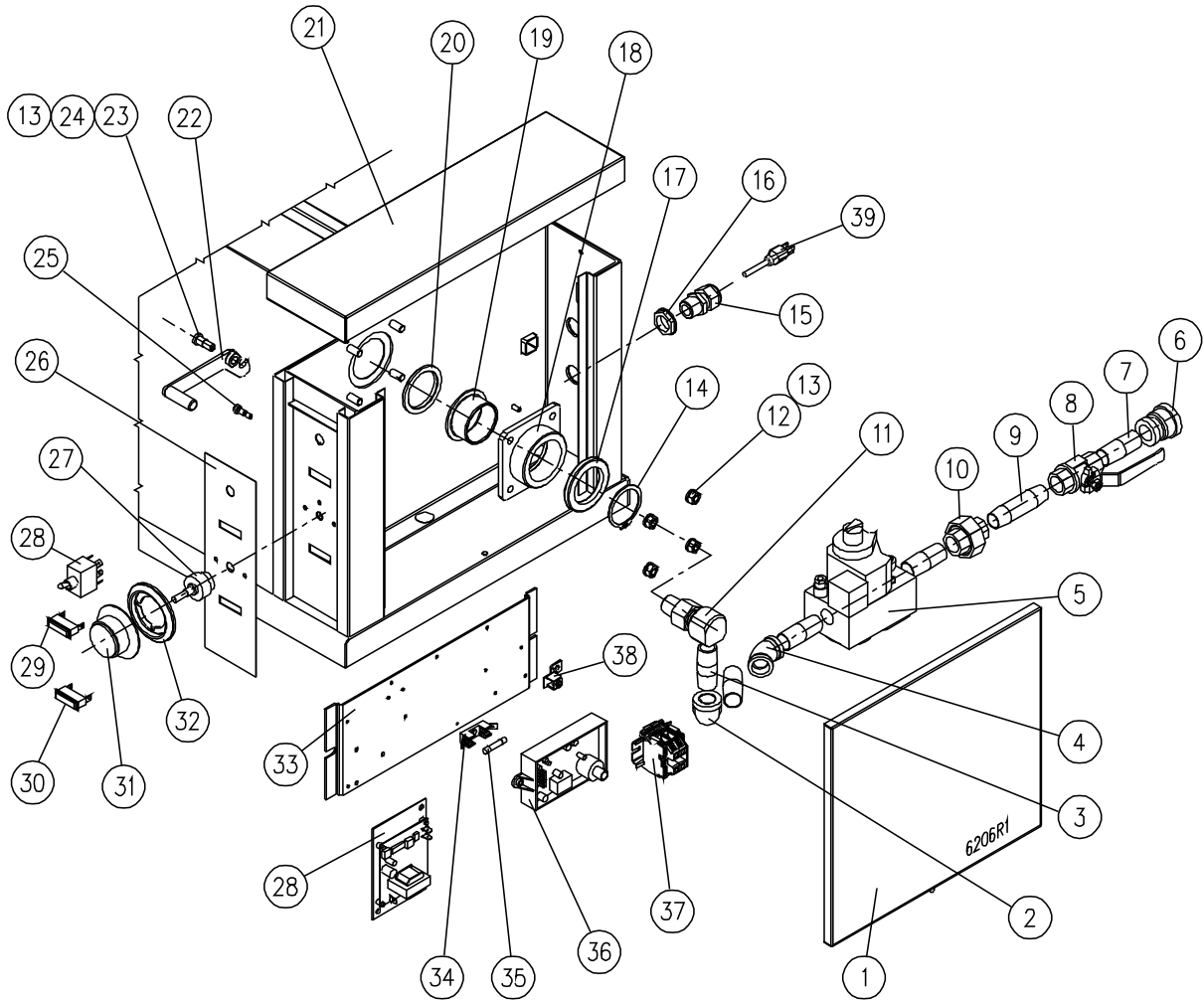
FIGURE 1**LEFT HAND CONSOLE, EXPLODED PARTS ASSEMBLY**

<u>ITEM</u>	<u>PART NO.</u>	<u>DESCRIPTION</u>	<u>QTY</u>	
1	8434-1	Side Panel, Left Hand Console	1	
2	5605-4	Clevis Pin, 5/16 x 1.250	1	
3	1-65S4	Hex HD Stainless Steel Bolt, 5/16 x 0.500	1	
4	S01X-516	Split Lock Washer, 5/16"	5	
5	6186-1	Base Plate Yoke	1	
6	9378-1	Damper, Hydraulic, Adjustable	1	
7	8439-1	Damper Collar Assembly	1	
8	9029-2	Hex Nut, 5/16 - 18 UNC	4	
9	8433-1	Left Hand Console Cover	1	
10	6173-1	Left Hand Spacer	1	
11	9379-1	Bushing, 1.5" I.D.	1	
12	8423-1	Trunnion Housing, Left Hand Console	1	
13	9380-1	Thrust Washer	1	
14	1-R315	Retaining Ring, External (9047)	1	
15	6222-1	Switch Mounting Bracket	1	
16	4-M605	Limit Switch	1	
17	9030-32	Hex Nut, #10-32 UNF	2	
*	18	5329-5	Cotter Pin	1
	19	6221-1	Cam	1
	20	M92S-1032-34	Screw, # 10-32 x 3/4, Pan Hd, SS	1
	21	6210-1	Support Tube	1
*	22	9047-094	Retaining Ring, External, 15/16"	2

* NOT SHOWN.

PARTS LIST, GAS COUNTER TILTING SKILLET, MODEL GCTS-16

FIGURE 2



PARTS LIST, GAS COUNTER TILTING SKILLET, MODEL GCTS-16

FIGURE 2**RIGHT HAND CONSOLE, EXPLODED PARTS ASSEMBLY**

<u>ITEM</u>	<u>PART NO.</u>	<u>DESCRIPTION</u>	<u>QTY.</u>
1	8428-1	Side Panel, Right Hand Console	1
2	9011-3	90° Elbow, 1/2"	1
3	9009-020	Pipe Nipple, 1/2" Schedule, 40 x 2" Long	2
4	9218-3	45° Elbow, 1/2"	1
** 5	5188-1	Combination Control Valve, Natural Gas	1
	5188-2	Combination Control Valve, Liquid Propane	1
6	9034-1	Reducing Coupling, 1/2" - 3/4"	1
7	9009-000	Close Nipple, 1/2" Schedule 40	3
8	9-2007	Ball Valve, 1/2"	1
9	9009-030	Pipe Nipple, 1/2" Schedule 40 x 3" Long	1
10	9015-3	Union, 1/2"	1
11	9196-1	Swivel Assembly	1
12	9029-2	Hex Nut, 5/16-18 UNC	4
13	S01X-516	Split Lock Washer, 5/16"	4
14	9047-175	Retaining Ring, External	1
15	9176-1	Liquid Tight Connector	1
16	9176-2	Lock Nut	1
17	6175-1	Bronze Ring	1
18	8422-1	Trunnion Housing, Right Hand Console	1
19	9379-2	Bushing, 1.75	1
20	6176-1	Spacer Ring Right Hand Console	1
21	8421-1	Top Cover, Right Hand Console	1
22	8424-1	Lock Handle Assembly	1
23	6177-1	Lock Handle Pin	1

PARTS LIST, GAS COUNTER TILTING SKILLET, MODEL GCTS-16

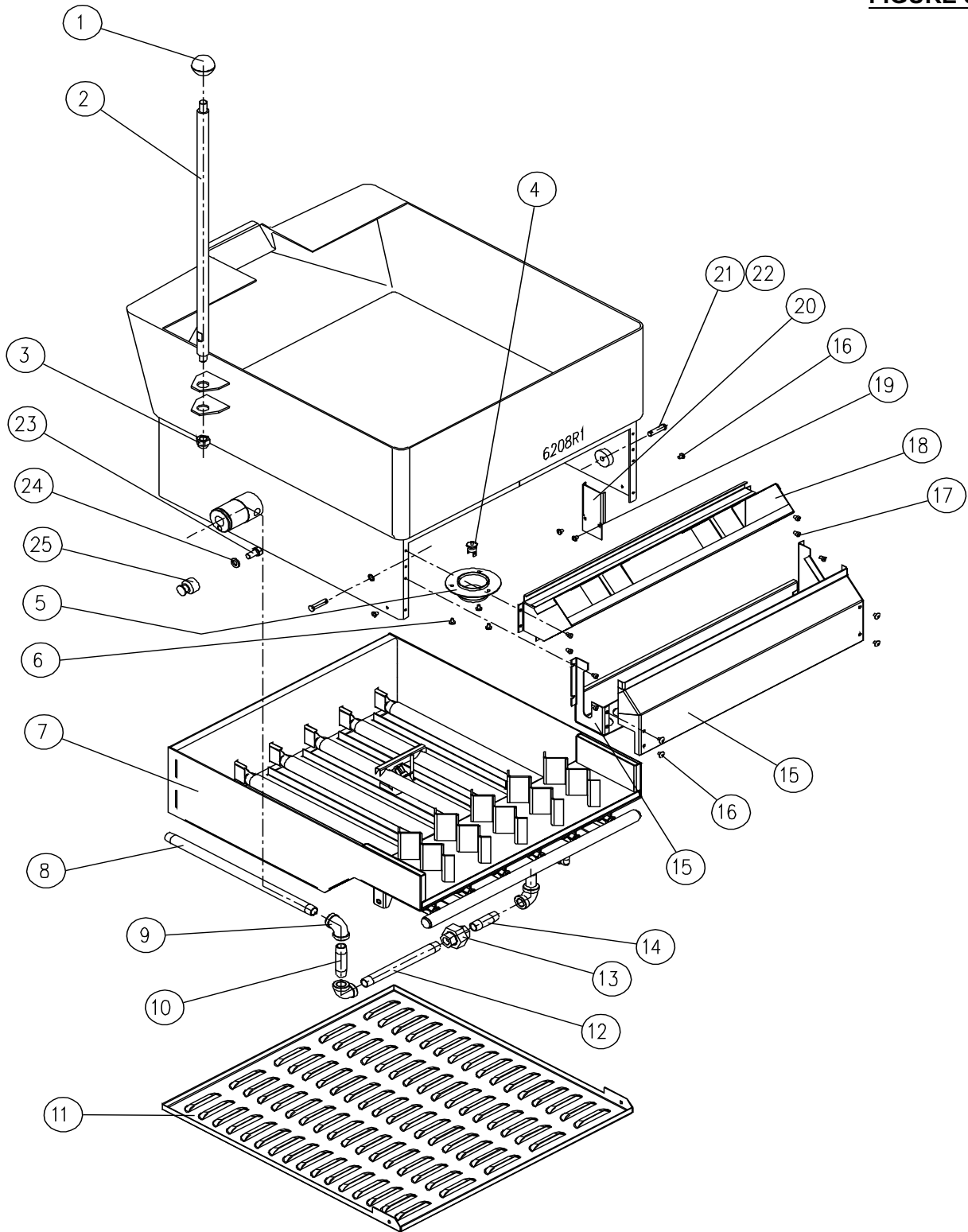
<u>ITEM</u>	<u>PART NO.</u>	<u>DESCRIPTION</u>	<u>QTY.</u>
*	24	9030-2 Nut, 5/16-18 UNC, SS 18-8	1
	25	9115-3 Shoulder Bolt	1
	26	8469-1 Operating Panel Decal	1
	27	5555-1 Thermostat c/w Potentiometer, 120 V	1
	28	9110-1 Power Switch	1
	29	4996-2 Pilot Light - Red, 120 V	1
	30	4996-1 Pilot Light - Green, 120 V	1
**	31	4352-1 Dial Assembly (F°)	1
		4689-1 Dial Assembly (C°)	1
	32	4-TB05 Bezel	1
	33	7131-2 Component Mounting Board	1
**	34	9068-1 Fuse Holder (120 V)	1
		9068-1 Fuse Holder (220 V)	2
**	35	9092-2 Fuse, 2 Amp. (120 V)	1
		9092-1 Fuse, 1 Amp. (220 V)	2
	36	5373-2 Ignition Module, 120 V, 1A	1
	37	9390-2 Terminal Block Assembly, 2 Pole, Includes the following parts	1
		9391-1 Modular Terminal	2
		9392-1 End Plate	1
		9393-1 End Clamp	2
		9394-053 Mounting Rail, 53 mm	1
	38	4-35EU Ground Log	1
	39	4127-3 Cord Set, 120 V	1
*	40.	4-T265 Transformer, 240-120V	1

* NOT SHOWN

** SELECT AS REQUIRED.

PARTS LIST, GAS COUNTER TILTING SKILLET, MODEL GCTS-16

FIGURE 3



PARTS LIST, GAS COUNTER TILTING SKILLET, MODEL GCTS-16

FIGURE 3

PAN ASSEMBLY, EXPLODED PARTS ASSEMBLY

<u>ITEM</u>	<u>PART NO.</u>	<u>DESCRIPTION</u>	<u>QTY.</u>
**	1.	2-KB01 Knob, Red	1
		9147-1 Knob, Black	1
	2.	4368-1 Handle	1
	3.	1-78S0 Acorn Nut, 3/8 - 16 UNC (9031)	1
	4.	4914-2 High Limit Thermostat	1
	5.	8437-1 High-Temp Cover	1
	6.	M92S-1032-38 Screw #10-32 x 0.375", SS Pan HD	3
	7.	8442-1 Fire Box Assembly	1
	8.	9045-S131 Pipe Nipple, 3/8" SCH40, 13.125" Long, SS	1
	9.	9362-2 90° Elbow, 3/8", Threaded F-F	2
	10.	9045-S024 Pipe Nipple, 3/8" SCH40, 2.500" Long, SS	1
	11.	8443-1 Bottom Cover	1
	12.	9045-S072 Pipe Nipple, 3/8" SCH40, 7.250" Long, SS	1
	13.	9015-2 Union, 3/8"	1
	14.	9045-020 Pipe Nipple, 3/8" SCH40, 2" Long, Black	1
	15.	8445-1 Manifold Enclosure Assembly	1
	16.	M32S-1032-14 Screw, #10-32 x 0.250", Truss HD, SS	6
	17.	M73S-1032-14 Screw, #10-32 x 0.250", Fill HD, SS	8
	18.	8451-1 Flue Assembly	1
	19.	M92S-1032-14 Screw #10-32 x 0.250", Pan HD, SS	2
	20.	8438-1 Left Hand Trunnion Cover	1
	21.	5605-4 Clevis Pin	2
*	22.	9004-5 Hitch Pin Clip	2
	23.	M50S-3824-34 Bolt, 3/8 - 24 x 0.750 Hex HD, SS	1

PARTS LIST, GAS COUNTER TILTING SKILLET, MODEL GCTS-16

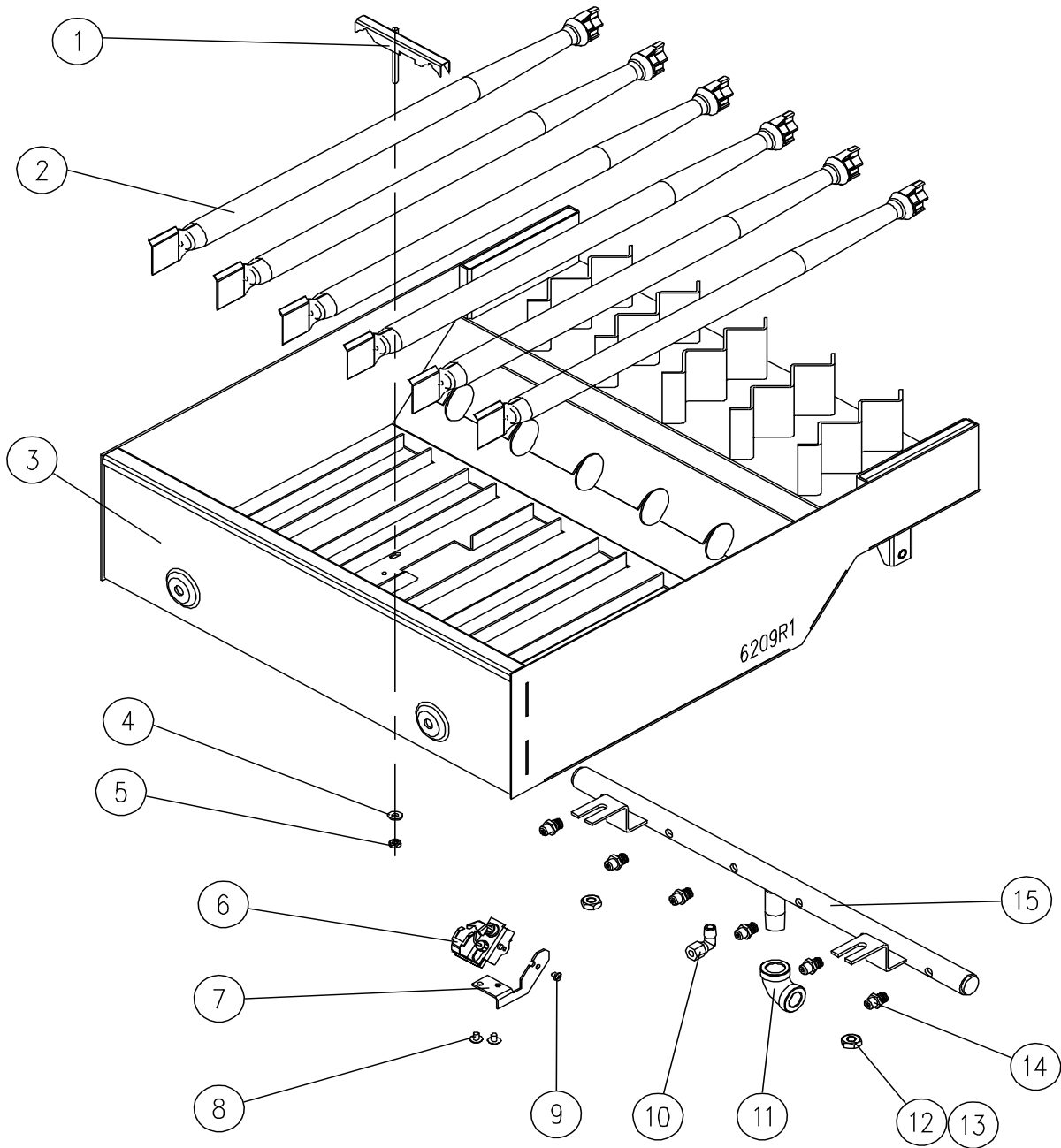
<u>ITEM</u>	<u>PART NO.</u>	<u>DESCRIPTION</u>	<u>QTY.</u>	
24.	S01N-38	Split Washer, 3/8 Stainless Steel	1	
25.	6205-1	Lock Pin	1	
*	26.	8490-1	Pouring Lip Strainer	1
*	27.	8489-1	Skillet Cover	1

* NOT SHOWN.

** SELECT AS REQUIRED.

PARTS LIST, GAS COUNTER TILTING SKILLET, MODEL GCTS-16

FIGURE 4



PARTS LIST, GAS COUNTER TILTING SKILLET, MODEL GCTS-16

FIGURE 4

FIRE BOX, EXPLODED PARTS ASSEMBLY

<u>ITEM</u>	<u>PART NO.</u>	<u>DESCRIPTION</u>	<u>QTY.</u>
1.	6212-1	Igniter Channel	1
2.	8418-1	Burner, D=1.000, BGI	6
3.	8456-1	Fire Box	1
4.	F05N-10	Flat Washer for #10 Screws, SS	1
5.	9030-32	Hex Nut, #10-32, SS	1
** 6.	9381-1	Pilot Burner, Natural Gas	1
	9381-2	Pilot Burner, Propane Gas	1
7.	6199-1	Pilot Burner Bracket	1
8.	M32S-1032-14	Screw # 10-32 x 0.250, Truss HD, SS	2
9.	M93S-832-316	Screw # 8-32 x 0.188", Pan HD, SS	1
10.	3-692A	90° Elbow, 1/8 Tube - 1/8 NPT Male	1
11.	9011-2	90° Black Malleable Iron Elbow	1
12.	S01X-516	Split Lockwasher, 5/16"	4
13.	9029-2	Hex Nut, 5/16 - 18 UNC	2
** 14.	3598-52	Orifice, Natural Gas	6
	3598-61	Orifice, Propane Gas	6
15.	8440-1	Manifold Assembly	1
16.	3-109A	Plug, Square Head, 1/8 NPT	1

* NOT SHOWN.

** SELECT AS REQUIRED.