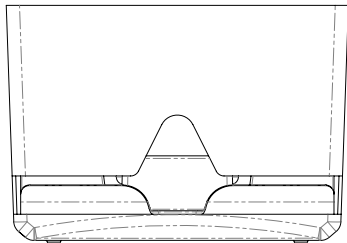


# JUNIOR BULK STRAW DISPENSER

Thank you for choosing the Junior Bulk Straw Dispenser ST250 from San Jamar. We appreciate your business and are confident that Junior Bulk Straw Dispenser will improve the image and efficiency of your operation. Enjoy!

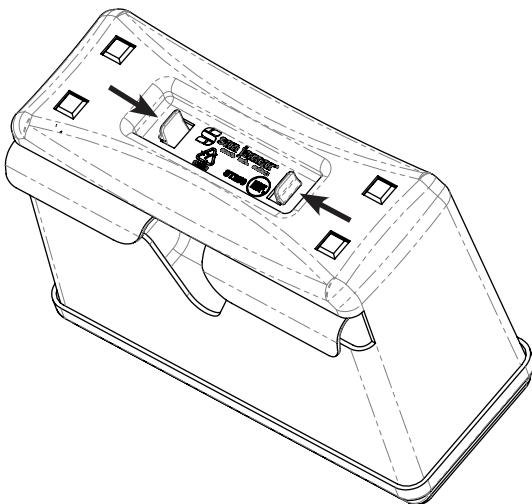
## 1. To Load Dispenser

Open lid by lifting on both sides.  
Load beverage straws horizontally.



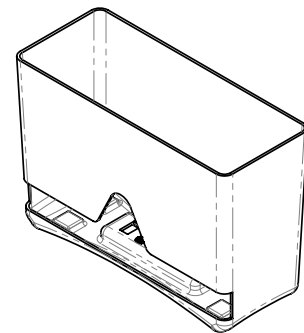
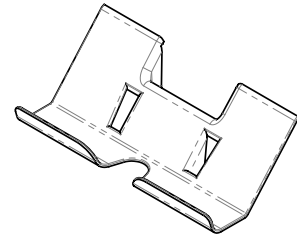
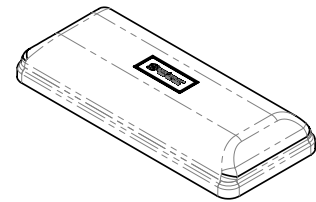
## 2. To Remove Inside Tray

Press clips inward on both sides.  
Lift tray from within body of dispenser.



## 3. To Clean Dispenser

Remove lid and inside tray.  
Clean with desired method.



**San Jamar**  
555 Koopman Lane  
Elkhorn, Wisconsin 53121  
USA  
T: +1.262.723.6133  
F: +1.262.723.4204  
info@sanjamar.com  
www.sanjamar.com

**Canada**  
15252 32nd Avenue  
Suite 309  
Surrey, BC V3S 0R7  
CANADA  
T: +1.262.723.6133  
F: +1.262.723.4204  
canada@sanjamar.com

**Europe**  
Schoorstraat 26a, bus 1  
2220 Heist op-den Berg  
BELGIUM  
T: +32 1522 8140  
F: +32 1522 8148  
emea@sanjamar.com

**México**  
Av. Universidad #1 377-701  
Colonia Axotla CP 01030  
Del. Alvaro Obregón  
MEXICO, D.F.  
T: +52 (55) 3626 0772  
F: +52 (55) 5273 4495  
mexico@sanjamar.com

 **san jamar**<sup>®</sup>  
smart. safe. sanitary.