

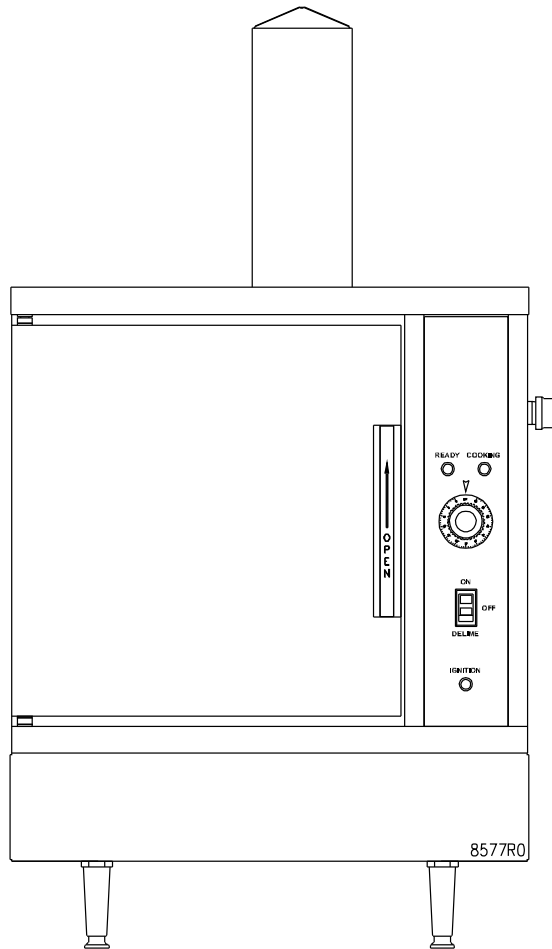


**IMPORTANT FOR FUTURE REFERENCE**  
 Please complete this information and retain this manual for the life of the equipment:

Model #: \_\_\_\_\_  
 Serial #: \_\_\_\_\_  
 Date Purchased: \_\_\_\_\_

# PARTS LIST


; Ug'7 cbj YWjcb'7 ci bhYf 'GhYUa Yf  
 GL!); '



**⚠ WARNING**

Improper installation, adjustment, alteration, service or maintenance can cause property damage, injury or death. Read the installation, operating and maintenance instructions thoroughly before installing or servicing this equipment.

**CROWN FOOD SERVICE EQUIPMENT**

 A Middleby Company

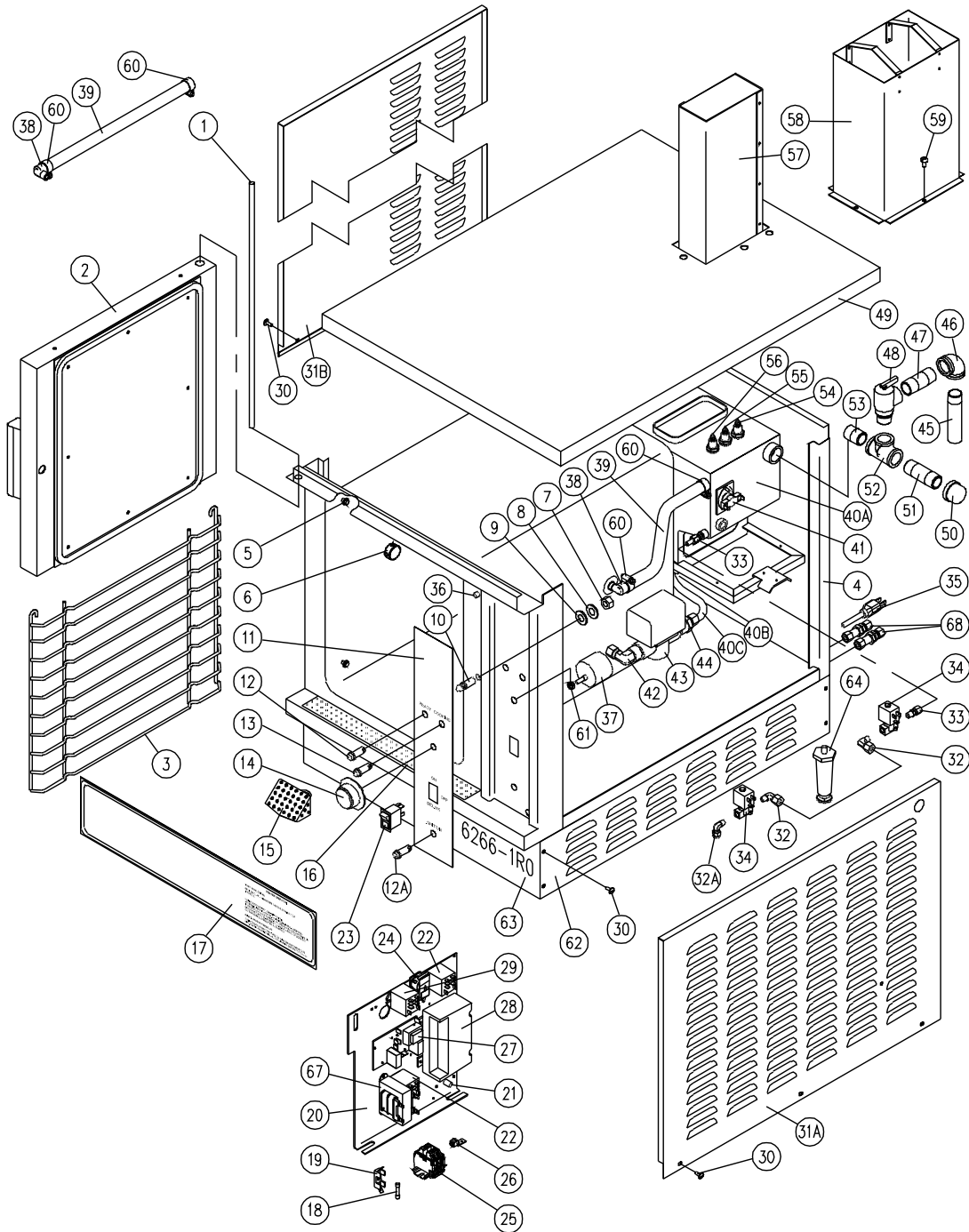
70 Oakdale Road, Downsview (Toronto) Ontario, Canada, M3N 1V9  
 Telephone: 919-762-1000      www.crownsteamgroup.com

Printed in Canada



PARTS LIST, GAS CONVECTION COUNTER STEAMER, MODEL SX-5G3

FIGURE 1



PARTS LIST, GAS CONVECTION COUNTER STEAMER, MODEL SX-5G3

**FIGURE 1**

<b><u>ITEM</u></b>	<b><u>PART NO.</u></b>	<b><u>DESCRIPTION</u></b>	<b><u>QTY.</u></b>	
1.	8-5077-8	Hinge Rod	1	
2.	8-5076-8	Door Assembly	1	
3.	2681-3	Pan Rack	2	
4.	8132-1	Back Panel	1	
5.	4721-1	Rack Pin Assembly	6	
6.	5655-1	Steam Diverter Kit	2	
7.	1-89S0	Hex Nut, 1/2-20 UNF, Stainless Steel	1	
8.	1-90S0	Lock Washer	1	
9.	8-5022	Washer	1	
10.	8-5021	Striker	1	
11.	6473-1	Control Decal	1	
12.	4-PL04	Pilot Light - Green, Ready, 125V	1	
12A.	4-PL04-2	Pilot Light - Green, Ignition, 28V	1	
13.	4-PL07	Pilot Light - Red, Cooking, 125V	1	
14.	4104-1	Dial - 60 Minutes	1	
15.	5224-2	Compartment Strainer	1	
16.	8-5023	Perforated Door Trough	1	
17.	6425-1	Operation Instruction Decal	1	
**	18.	9092-2	Fuse, 2A, 250V, (120V Unit)	1
		9092-1	Fuse, 1A, 250V, (220V Unit)	1
19.	9068-1	Fuse Holder	1	
20.	6444-1	Component Mounting Board	1	
21.	9126-1	Operating Thermostat	1	
22.	9332-1	Relay, DPDT, (Single Pole in Use)	2	

PARTS LIST, GAS CONVECTION COUNTER STEAMER, MODEL SX-5G3

<u>ITEM</u>	<u>PART NO.</u>	<u>DESCRIPTION</u>	<u>QTY.</u>	
23.	9124-2	Power Switch	1	
24.	3821-1	Buzzer, 120V	1	
25.	9390-2	Terminal Block Assembly, 2 Pole	1	
		Includes the following parts:		
	9391-1	Modular Terminal	2	
	9392-1	End Plate	1	
	9393-1	End Clamp	2	
	9394-053	Mounting Rail, 53 mm	1	
26.	4-35EU	Ground Lug	1	
*	4188-1	Earth I.D. Tag	1	
**	27.	4038-4	Level Control, 10K, OHM, 120V	1
		5230-1	Level Control, 1 M, OHM, (Optional)	2
28.	9210-2	Ignition Module, Intermittent Pilot	1	
29.	9332-1	Relay, DPDT	1	
30.	M33S-1032-12	Screw, 10-32 x 1/2	19	
31.	6471-1	Right Side Panel	1	
31B.	8147-1	Left Side Panel	1	
32.	3-696A	Elbow, 3/8C x 1/8 MPT	2	
32A.	3-694A	Elbow, 1/4C x 1/8 MPT	1	
33.	3-684A	Connector, 1/4C x 1/8 MPT	2	
34.	5162-1	Solenoid Valve, 120V	2	
35.	4127-3	Cord Set, 120V	1	
36.	9-3213	Door Switch	1	
	9-3336	Switch Actuator c/w Clip	1	
37.	4-T210	Timer, 60 Minutes	1	

PARTS LIST, GAS CONVECTION COUNTER STEAMER, MODEL SX-5G3

<u>ITEM</u>	<u>PART NO.</u>	<u>DESCRIPTION</u>	<u>QTY.</u>
38.	3-1398B	Hose Barb Elbow, 1/2 - 1/4 NPT	2
39.	9268-130	Steam Hose Right Hand/Left Hand, 1/2 I.D. x 13	2
40A.	8578-1	Generator Tank	1
40B.	9413-58-34	Elbow, Brass, 45° Flare	1
40C.	6305-1	Drain Tube	1
* 40D.	9412-58	Forged Nut, 45° Flare	1
41.	4874-3	High Limit Thermostat	1
42.	3-698E	Elbow, 1/2C x 3/4 MPT	1
43.	3-S543	Blowdown Solenoid, 120V	1
44.	3-6810E	Connector, 5/8C x 3/4 MPT	1
45.	5184-1	Extension, Relief Valve	1
46.	3-100E	Elbow, Brass, 3/4 NPT	1
47.	9090-024	Nipple, Brass, 3/4 NPT x 2-1/2 Long	1
48.	5286-1	Relief Valve, 5 PSI	1
49.	4517-1	Top Cover	1
50.	3-108E	Cap, Brass, 3/4 NPT	1
51.	9090-034	Nipple, 3/4" x 3-1/2"	1
52.	3-101E	Tee, Forged Brass, 3/4 NPT	1
53.	3-112E	Close Nipple, Brass, 3/4 NPT	1
54.	3738-9	Probe - Low Level Cut Off, 4.875"	1
55.	3738-8	Probe - Low Level, 4.5"	1
56.	3738-7	Probe - High Level, 4.375"	1
57.	4523-1	Flue Assembly	1
58.	4876-1	Flue Cover Assembly	1
59.	M93S-1420-12	Screw, 1/4 - 20 x 1/2	6

PARTS LIST, GAS CONVECTION COUNTER STEAMER, MODEL SX-5G3

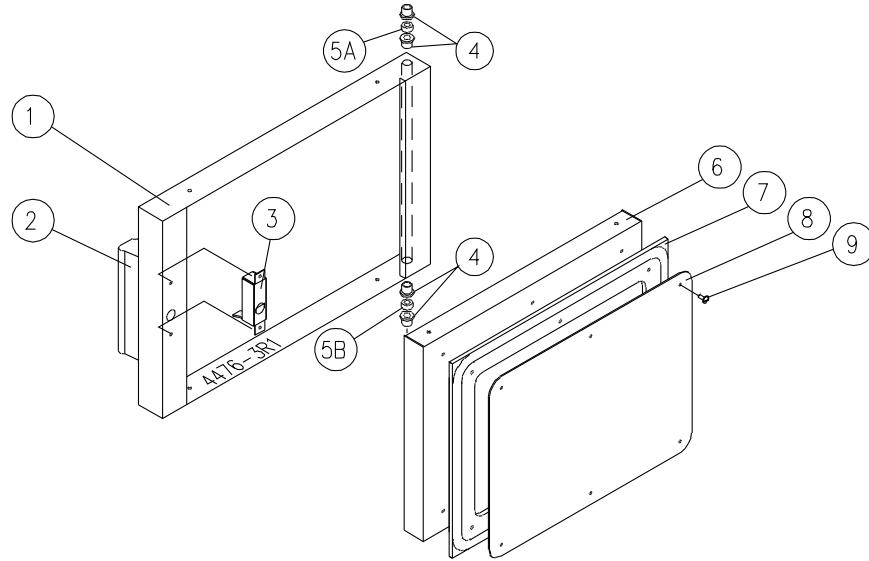
<u>ITEM</u>	<u>PART NO.</u>	<u>DESCRIPTION</u>	<u>QTY.</u>	
60.	9017-2	Hose Clamp, 3/8" - 7/8"	4	
61.	9109-1	Rotary Shaft Seal	1	
**	62.	6448-1	Right Hand Side Riser Panel	1
*	63.	6447-1	Left Hand Side Riser Panel	1
	63.	6445-1	Front Riser Panel	1
*	63.	6446-1	Rear Riser Panel	1
	64.	5-FS66	Appliance Leg	4
*	65.	4204-51	Wire Harness	1
*	66.	4-T265	Transformer, 100VA, 220-240/110-120, 50/60 Hz	1
*	67.	9-3383	Transformer, 115/24V, 40VA	1
	68.	3-776	Water Connection, Brass Union	2

\* NOT SHOWN.

\*\* SELECT AS REQUIRED.

PARTS LIST, GAS CONVECTION COUNTER STEAMER, MODEL SX-5G3

**FIGURE 2**



<u>ITEM</u>	<u>PART NO.</u>	<u>DESCRIPTION</u>	<u>QUANTITY</u>
1.	8-5060-8	Door Frame	1
2.	3903-2	Door Handle Assembly	1
	3646-1	Door Handle Decal	1
3.	8-5068-9	Latch Assembly	1
4.	8-5078	Bushing	4
5A.	5716-1	Spacer, Upper	1
5B.	5717-1	Spacer, Lower	1
6.	8-5065-8	Door Panel	1
7.	8-5063-8	Door Gasket	1
8.	8-5064-8	Gasket Plate	1
9.	9-1011-1	Gasket Panel Screws	8
10.	8-5076-8	Door Assembly	1

PARTS LIST, GAS CONVECTION COUNTER STEAMER, MODEL SX-5G3

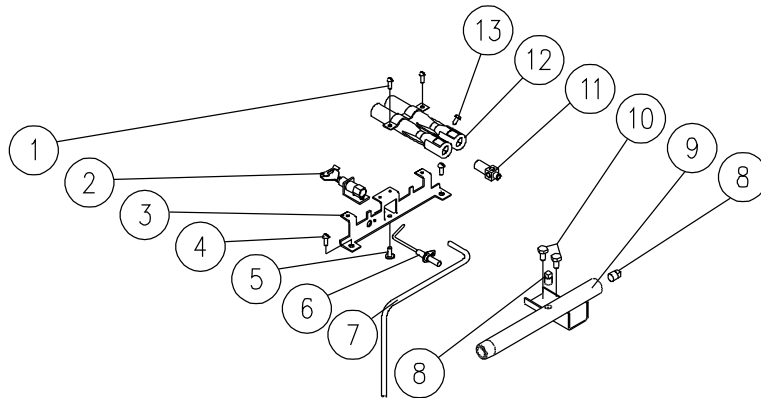


FIGURE 3

4476-3R1

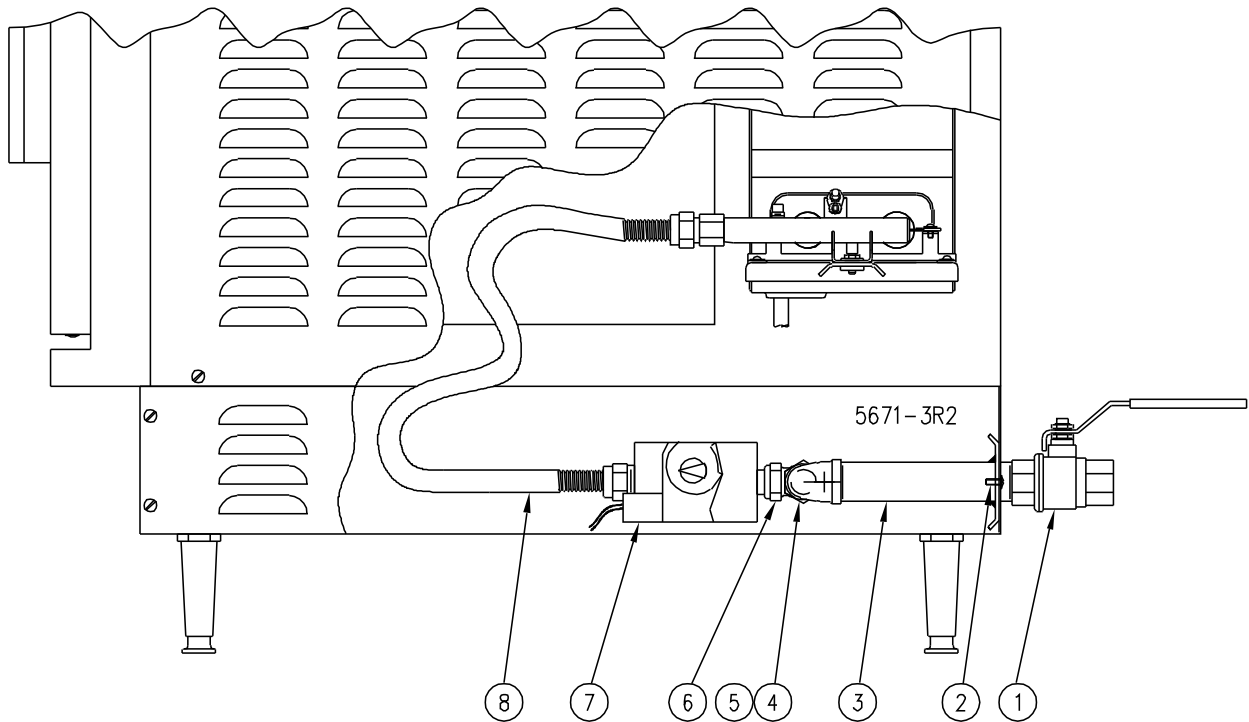
<u>ITEM</u>	<u>PART NO.</u>	<u>DESCRIPTION</u>	<u>QUANTITY</u>	
1.	T50C-832-14	Hex Screw, 8 - 32 x 1/4	4	
**	2.	5375-1	Pilot Burner, LP	1
		5375-2	Pilot Burner, Natural Gas	1
	3.	6748-1	Burner Mounting Bracket	1
	4.	M29S-1032-38	Machine Screw	2
	5.	M29X-1032-14	Machine Screw, 10-32 x 1/4	2
	6.	5362-1	Spark Electrode	1
	7.	5774-3	Pilot Tube	1
	8.	9035-1	Plug, 1/8 NPT	2
**	9.	6949-1	Gas Manifold Assembly, Natural, LP Gas	1
	10.	M50X-1420-12	Machine Bolt, 1/4-20 x 1/2	2
**	11.	4951-52	Jet Orifice, #52, Natural Gas	4
		4951-60	Jet Orifice, #60, LP	4
**	12.	6749-1	Twin Burner, Natural, Gas, LP Gas	2
**	13.	A54C-6-38	Sheet Metal Screw, (Natural)	4

\*\* SELECT AS REQUIRED.



PARTS LIST, GAS CONVECTION COUNTER STEAMER, MODEL SX-5G3

**FIGURE 4**



<u>ITEM</u>	<u>PART NO.</u>	<u>DESCRIPTION</u>	<u>QUANTITY</u>
1.	3-BVE0	Ball Valve, 3/4"	1
2.	M93S-1032-12	Screw, #10-32 x 1/2"	2
3.	6433-4	Gas Supply Pipe Assembly	1
4.	9014-1	90 Degree, 3/4" x 1/2" Reducing Elbow	1
5.	9009-000	Close Nipple, 1/2"	1
6.	3-U4BE	Union Elbow, Brass, 1/2"	1
** 7.	5450-1	Combination Gas Control - Natural	1
	5450-2	Combination Gas Control - Propane	1
8.	9026-18	Flex Tube, 1/2" x 18" Long	1

\*\* SELECT AS REQUIRED.