



**IMPORTANT FOR FUTURE REFERENCE**

Please complete this information and retain this manual for the life of the equipment:

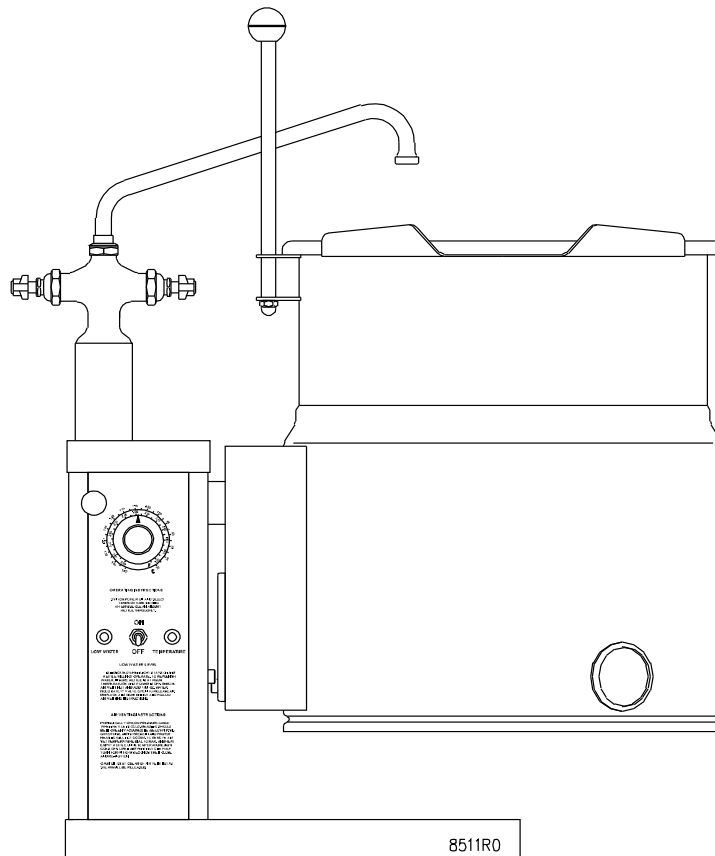
Model #: \_\_\_\_\_

Serial #: \_\_\_\_\_

Date Purchased: \_\_\_\_\_

## PARTS LIST


**Self Generating Steam Jacketed Counter Tilting Kettles! @Zi7 cbgc`Y  
EC-6TW-L EC-10TW-L EC-12TW-L**



### WARNING

Improper installation, adjustment, alteration, service or maintenance can cause property damage, injury or death. Read the installation, operating and maintenance instructions thoroughly before installing or servicing this equipment.

### CROWN FOOD SERVICE EQUIPMENT

 A Middleby Company

70 Oakdale Road, Downsview (Toronto) Ontario, Canada, M3N 1V9

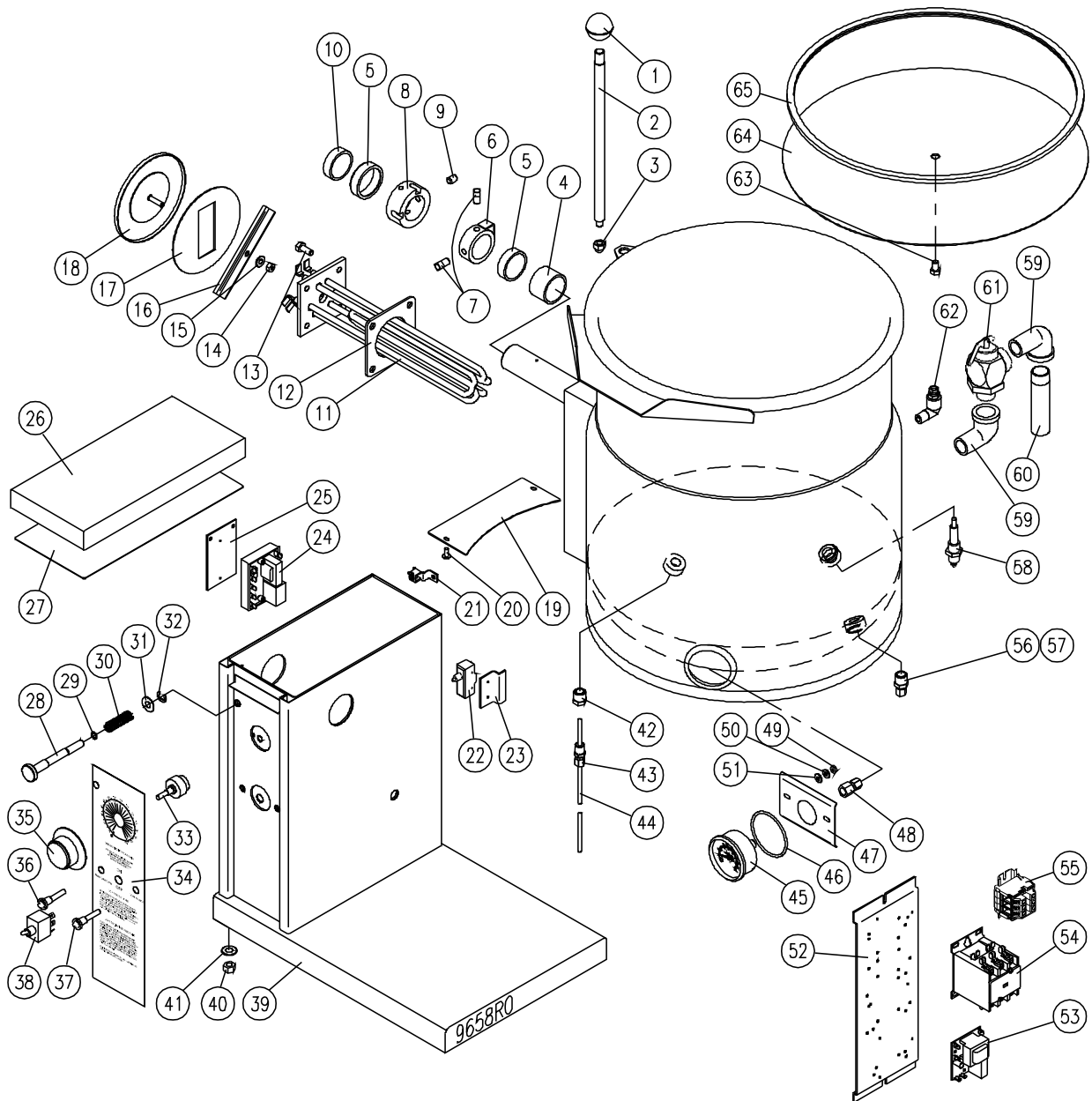
Telephone: 919-762-1000 [www.crownsteamgroup.com](http://www.crownsteamgroup.com)

Printed in Canada



PARTS LIST, SELF-GENERATING STEAM JACKETED COUNTER TILTING KETTLES,  
 EC-6TW-L, EC-10TW-L, EC-12TW-L

**FIGURE 1**



PARTS LIST, SELF-GENERATING STEAM JACKETED COUNTER TILTING KETTLES,  
EC-6TW-L, EC-10TW-L, EC-12TW-L

**FIGURE 1**

<u>ITEM</u>	<u>PART NO.</u>	<u>DESCRIPTION</u>	<u>QUANTITY</u>	
			<u>EC-6TW-L</u>	<u>EC-10TW-L</u> <u>EC-12TW-L</u>
1.	2-KB01	Red Handle Knob	1	1
2.	8-2020	Tilt Handle	1	1
3.	9031-7	Acorn Nut, 3/8" - 16 UNC	1	1
4.	3412-2	Bearing	1	1
5.	3415-1	Trunnion Bushing Housing	2	2
6.	3546-1	Actuating Collar Assembly	1	1
7.	9025-1	Set Screw	2	2
8.	7011-1	Cam Collar	1	1
9.	9061-11	Set Screw, 3/8-16 UNC	1	1
10.	8-6030	Bearing	1	1
**	11. 7-5015	Heating Element, 7.5 kW, 208V	1	
	7-5016	Heating Element, 7.5 kW, 380/220V	1	
	7-5017	Heating Element, 7.5 kW, 416/240V	1	
	7-5018	Heating Element, 7.5 kW, 480V	1	
	2348-1	Heating Element, 7.5 kW, 600V	1	
	7-5019	Heating Element, 12 kW, 208V		1
	7-5020	Heating Element, 12 kW, 380/220V		1
	7-5021	Heating Element, 12 kW, 416/240V		1
	7-5022	Heating Element, 12 kW, 480V		1
	9-3298-1	Heating Element, 12 kW, 600V		1

PARTS LIST, SELF-GENERATING STEAM JACKETED COUNTER TILTING KETTLES,  
EC-6TW-L, EC-10TW-L, EC-12TW-L

**FIGURE 1**

<u>ITEM</u>	<u>PART NO.</u>	<u>DESCRIPTION</u>	<u>QUANTITY</u>	
			<u>EC-6TW-L</u>	<u>EC-10TW-L</u> <u>EC-12TW-L</u>
*	M93BRB-1032-38	Element Terminal Screw	6	6
**	12. 5984-1	Element Gasket	1	
	5986-1	Element Gasket		1
	13. M50S-51618-34	Hex HD Screw, 5/16-18 UNC x 3/4 Lg.	4	4
*	S05N-516	Split Lock Washer, 5/16	4	4
*	F105N-516	Flat Washer, 5/16	4	4
	14. 9029-1	Hex Nut, 1/4" - 20 UNC	1	1
	15. I01X-14	Tooth Washer, 1/4"	1	1
	16. 4983-1	Element Access Door Channel Brace	1	1
	17. 4605-1	Gasket	1	1
	18. 6570-1	Element Access Cover Assembly	1	1
**	19. 3400-1	Trunnion Box Bottom Cover	1	
	3438-1	Trunnion Box Bottom Cover		1
*	4922-1	Trunnion Box Bottom Gasket	1	
*	4922-2	Trunnion Box Bottom Gasket		1
	20. M33S-1032-12	Truss Slotted HD Screw #10-32 UNF x 1/2 Lg.	2	2
	21. 4-70EU	Ground Lug	1	1
	22. 4-M605	Microswitch	1	1
	23. 3408-1	Microswitch Bracket	1	1
	24. 4174-1	Temperature Control	1	1
	25. 4620-1	Mounting Plate	1	1

PARTS LIST, SELF-GENERATING STEAM JACKETED COUNTER TILTING KETTLES,  
EC-6TW-L, EC-10TW-L, EC-12TW-L

**FIGURE 1**

<u>ITEM</u>	<u>PART NO.</u>	<u>DESCRIPTION</u>	<u>QUANTITY</u>	
			<u>EC-6TW-L</u>	<u>EC-10TW-L</u> <u>EC-12TW-L</u>
26.	3397-1	Console Top Cover	1	1
27.	3745-1	Console Cover Gasket	1	1
28.	4608-1	Locking Pin Sub-Assembly	1	1
29.	2-011R	O-Ring Seal	1	1
30.	4623-1	Compression Spring	1	1
31.	1-W3S7	Flat Washer, 3/8 ID x 7/8 OD	2	2
32.	1-XR33	External Retaining Ring	1	1
33.	5517-1	Potentiometer c/w Wires and Push on Terminals	1	1
**	34.	8723-1	1	
		Control Panel Decal		1
35.	4-TD02	Knob	1	1
36.	4661-4	Pilot Light, Red, 250V, Temp.	1	1
37.	4661-5	Pilot Light, Amber, 250V, Low Water	1	1
38.	9110-1	Toggle Switch DPST, 250 Vac, 6A	1	1
39.	8725-1	Base Sub-Assembly	1	1
40.	9029-3	Hex Nut, 3/8-16 UNC	5	5
41.	F01X-38	Flat Washer, 3/8"	5	5
42.	3-110CB	Brush Bushing, 3/8 MPT - 1/4 FPT	1	1
43.	3-683B	Brass Connector, 3/16 C x 1/4 MPT	1	1
44.	4309-1	RTD Sensor Probe Assembly	1	1

PARTS LIST, SELF-GENERATING STEAM JACKETED COUNTER TILTING KETTLES,  
EC-6TW-L, EC-10TW-L, EC-12TW-L

**FIGURE 1**

<u>ITEM</u>	<u>PART NO.</u>	<u>DESCRIPTION</u>	<u>QUANTITY</u>		
			<u>EC-6TW-L</u>	<u>EC-10TW-L</u> <u>EC-12TW-L</u>	
45.	4967-1	Pressure Gauge, 100 PSI	1	1	
46.	2-230R	O-Ring	1	1	
47.	3407-1	Pressure Gauge Plate	1	1	
48.	3-664B	Connector, Brass, 1/4 C x 1/4 FPT	1	1	
49.	9029-32	Hex Nut, #10-32 UNF	2	2	
50.	F01X-10	Flat Washer, #10	2	2	
51.	S01X-10	Split Lock Washer	2	2	
52.	3402-2	Component Mounting Bracket	1	1	
53.	3974-2	Liquid Level Control, 100 kOhm, 240V, 60 Hz	1	1	
**	54.	9348-208	Contactor, 3 Pole, 50A (208- 240V)	2	2
			Contactor, 3 Pole, 50A (380- 600V)	1	1
**	55.	6161-3	Modular Terminal Assembly, 3 Pole, (208-240V)	1	1
		Includes following parts:			
		9374-1	Modular Terminal, Grey	3	3
		9375-1	End Plate	1	1
		9369-1	End Clamp	2	2
		9368-079	Mounting Rail	1	1
**	55.	9390-3	Terminal Block Assy, 3 Pole, (380-600V)	1	1

PARTS LIST, SELF-GENERATING STEAM JACKETED COUNTER TILTING KETTLES,  
EC-6TW-L, EC-10TW-L, EC-12TW-L

**FIGURE 1**

<u>ITEM</u>	<u>PART NO.</u>	<u>DESCRIPTION</u>	<u>QUANTITY</u>	
			<u>EC-6TW-L</u>	<u>EC-10TW-L</u> <u>EC-12TW-L</u>
		Includes the following parts:		
	9391-1	Modular Terminal	3	3
	9392-1	End Plate	1	1
	9393-1	End Clamp	2	2
	9394-065	Mounting Rail	1	1
**	55.	9390-4N Terminal Block Assy, 3 Pole with Neutral, 380/220V & 415/240V	1	1
		Includes the following parts:		
	9391-1	Modular Terminal	3	3
	9391-2	Modular Terminal, Blue	1	1
	9392-1	End Plate	1	1
	9393-1	End Clamp	2	2
	9394-065	Mounting Rail	1	1
	56.	3-684C Connector, Brass, 1/4 C x 3/8 MPT	1	1
**	57.	8-3149 Copper Tubing, 1/4		1
		8-3148 Copper Tubing, 1/4	1	
	58.	4-LLP1 Low Level Probe	1	1
	59.	9012-4P Street Elbow, 90°, 3/4" NPT	2	2
	60.	5184-1 Relief Valve Extension	1	1
	61.	3-SRV9-1 Safety Relief Valve, 50 PSI	1	1
	62.	3-AV01 Air Vent Assembly	1	1
	63.	M50S-51618-12 Hex HD Screw, 5/16-18 UNC x 1/2 Lg.	1	1

PARTS LIST, SELF-GENERATING STEAM JACKETED COUNTER TILTING KETTLES,  
EC-6TW-L, EC-10TW-L, EC-12TW-L

**FIGURE 1**

<u>ITEM</u>	<u>PART NO.</u>	<u>DESCRIPTION</u>	<u>QUANTITY</u>	
			<u>EC-6TW-L</u>	<u>EC-10TW-L</u> <u>EC-12TW-L</u>
**	64.	3403-1	Bottom Cover	1
		3440-1	Bottom Cover	1
**	65.	4618-1	Bottom Cover Gasket	1
		4618-2	Bottom Cover Gasket	1
* **	66.	3404-1	Kettle Top Cover, Optional	1
		3441-1	Kettle Top Cover, Optional	1
*	67.	4204-8	Wire Harness, Thermostat, Thermalogic	1
*	68.	4204-9	Wire Harness, Element to Contactor	1
*	69.	M50S-51618-114	Hex HD Screw, 5/16 - 18 UNC x 1-1/4	4
*	70.	F01C-516	Flat Washer, 5/16	4
* **	71.	4-T251	Transformer, 380/416V-120V, 50/60 Hz, 100VA	1
		4-T255	Transformer, 480V-120V, 60 Hz, 100VA	1
		4-T260	Transformer, 600V-120V, 60 Hz, 100VA	1
* **	72.	9092-3	Fuse, 250V, 3A (280-240V)	2
		9092-3	Fuse, 250V, 3A (380/220V and 415/240V)	1
		9001-2	Fuse, 600V, 1/2A (380-600V)	2
* **	73.	9068-1	Fuse Holder, 300V, 25A (208- 240V)	2



PARTS LIST, SELF-GENERATING STEAM JACKETED COUNTER TILTING KETTLES,  
 EC-6TW-L, EC-10TW-L, EC-12TW-L

**FIGURE 1**

<u>ITEM</u>	<u>PART NO.</u>	<u>DESCRIPTION</u>	<u>QUANTITY</u>	
			<u>EC-6TW-L</u>	<u>EC-10TW-L</u> <u>EC-12TW-L</u>
	9068-1	Fuse Holder, 300V, 25A, (380/220V & 415/240V)	1	1
	9002-1	Fuse Holder, 600V, 30A, (380-600V)	2	2
*	74. 3931-1	Faucet Bracket, Optional	1	1
* NOT SHOWN				
** SELECT AS REQUIRED				