

INSTRUCTIONS FOR TRIMLINE™ RECTANGULAR BEVERAGE DISPENSERS

PRODUCT NUMBERS: 10850, 10852, 10854, 10856, 10851, 10853, 10855, 10857

Fig. 1
Premium Faucet: 10850, 10854, 10851, 10855

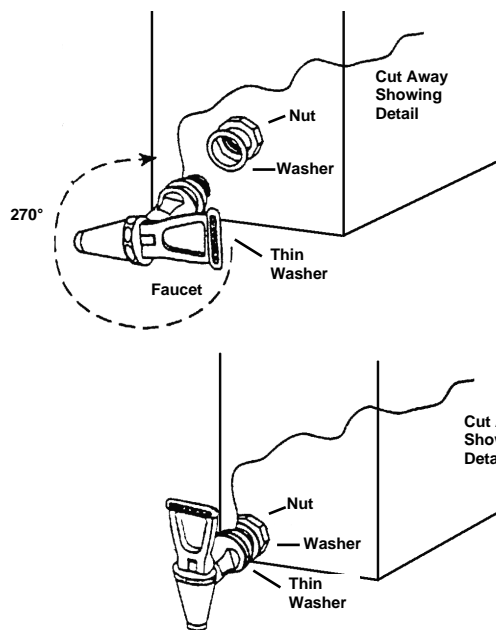


Fig. 2
Economy Faucet: 10852, 10856, 10853, 10857

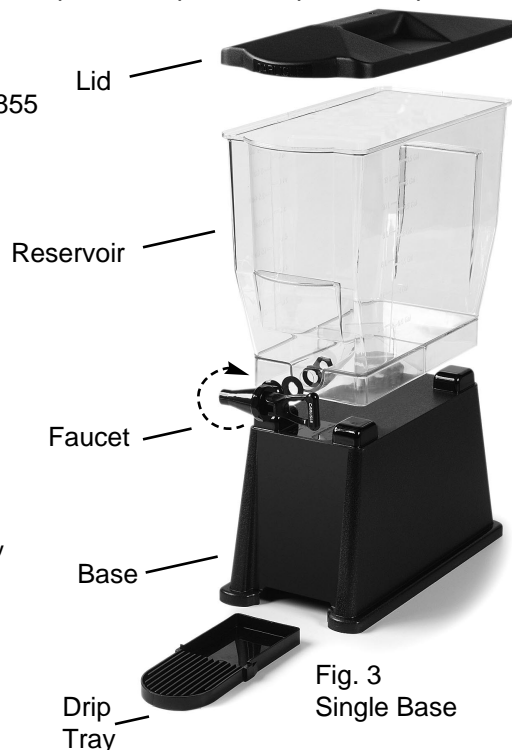
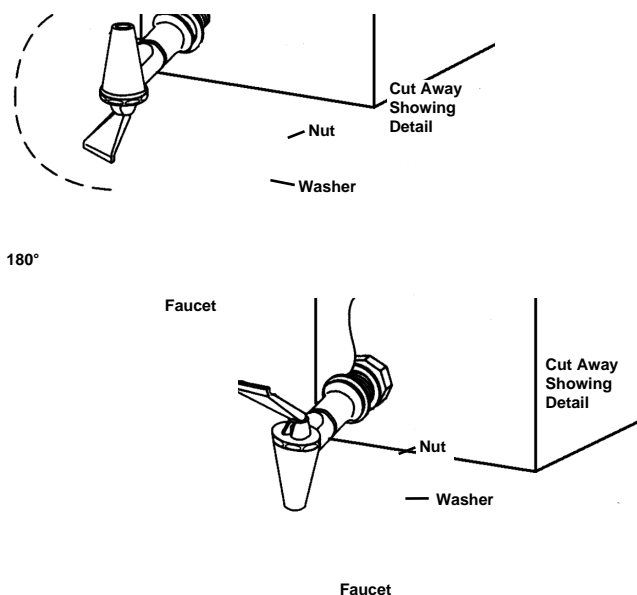


Fig. 3
Single Base



Fig. 4
Dual Base



Fig. 5 Enlarged view of Figure 3.

1. Make sure the Faucet Installation with washer is flush with the unit. Position the faucet upside down. Take nut with washer and screw on the end of the shank until hand tight. Continue to hold nut and turn faucet to the right until it is in its normal vertical position (270° Premium faucet, Fig. 1 - 180° Economy Faucet, Fig. 2).
2. Position Reservoir on base unit (Fig. 3). On double base unit, position both reservoirs on double base (Fig. 4). Position Lid as indicated.
3. With base on counter, slide the drip tray into the base opening until the tabs on the top of the drip tray touch the base tabs (Fig. 5).
4. Note: Polypropylene Lids (replace with part #10860) and Polypropylene drip trays (replace with part number #10861) work with both Polycarbonate and Polypropylene dispensers. Reservoirs must be ordered in the same material as the base.

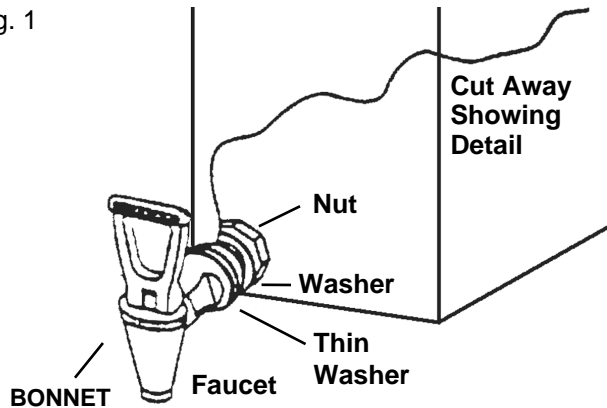
Worldwide Headquarters:
P.O. Box 53006
Oklahoma City, Oklahoma 73152-3006
(405) 475-5600 • FAX (405) 475-5607
1-800-654-8210
www.carlislefsp.com

European Distribution Center:
Edisonstraat 84, P.O. Box 110
6900 AC Zevenaar, The Netherlands
Tel +31/(0)316-596550 • Telex 45642
FAX +31/(0)316-340168
#104803312 Rev. 4/03

CARLISLE
FoodService Products

INSTRUCTIONS FOR TRIMLINE™ RECTANGULAR BEVERAGE DISPENSERS

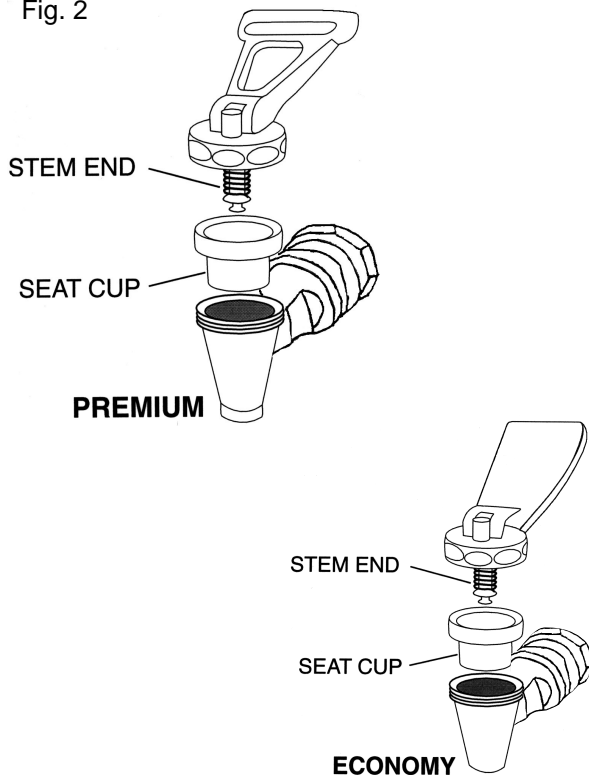
Fig. 1



CARE AND CLEANING OF THE CONTAINER

1. Clean after every use with hot water and mild detergents or dishwasher. De-staining compounds approved for food or beverage contact may be used. Ask your detergent supplier for the proper compound.

Fig. 2



CARE AND CLEANING OF THE FAUCET

1. Loosen Faucet in a counter clockwise direction to remove faucet from unit (Fig. 1). Remove washer and nut for complete disassembly.
2. Remove entire upper assembly by unscrewing Bonnet (Fig. 2).
3. Pull Seat cup to remove. Clean all parts in a solution of hot water and urn cleaner. Wipe inside body with clean damp cloth and then rinse with hot water.
Note: Clean faucet periodically with a faucet brush such as a #40166 Sparta® 4" Utility Tube Brush.
4. Depress handle in 'lock open' position. Clean top of Bonnet thoroughly. Snap on Seat Cup over Stem End by applying direct pressure against bottom. This is a good time to replace Seat Cup if necessary.
5. Screw upper assembly back on body.
6. Reattach faucet to unit.

Worldwide Headquarters:
P.O. Box 53006
Oklahoma City, Oklahoma 73152-3006
(405) 475-5600 • FAX (405) 475-5607
1-800-654-8210
www.carlislefsp.com

European Distribution Center:
Edisonstraat 84, P.O. Box 110
6900 AC Zevenaar, The Netherlands
Tel +31/(0)316-596550 • Telex 45642
FAX +31/(0)316-340168
#104803312 Rev. 4/03

CARLISLE
FoodService Products