

# Six-Star™ Tray Slide Assembly Instructions



P.O. Box 53006  
Oklahoma City, Oklahoma 73152-3006  
(405) 475-5600 • 1-800-654-8210  
[www.carlislefsp.com](http://www.carlislefsp.com)  
© 2014 Carlisle FoodService Products  
104803752 Rev 05/14

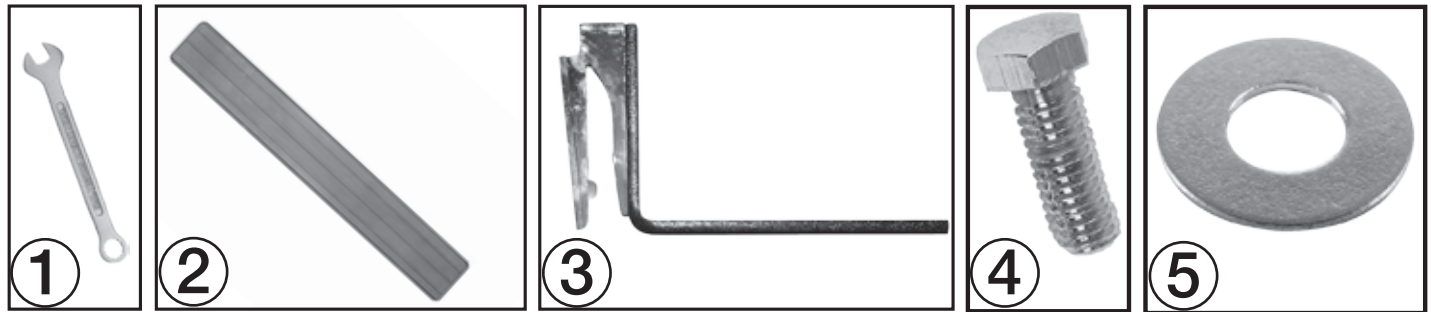
**CARLISLE**  
FOODSERVICE PRODUCTS

## Tools Needed

Item	Description	QTY
1	7/16 Wrench (Not included)	1

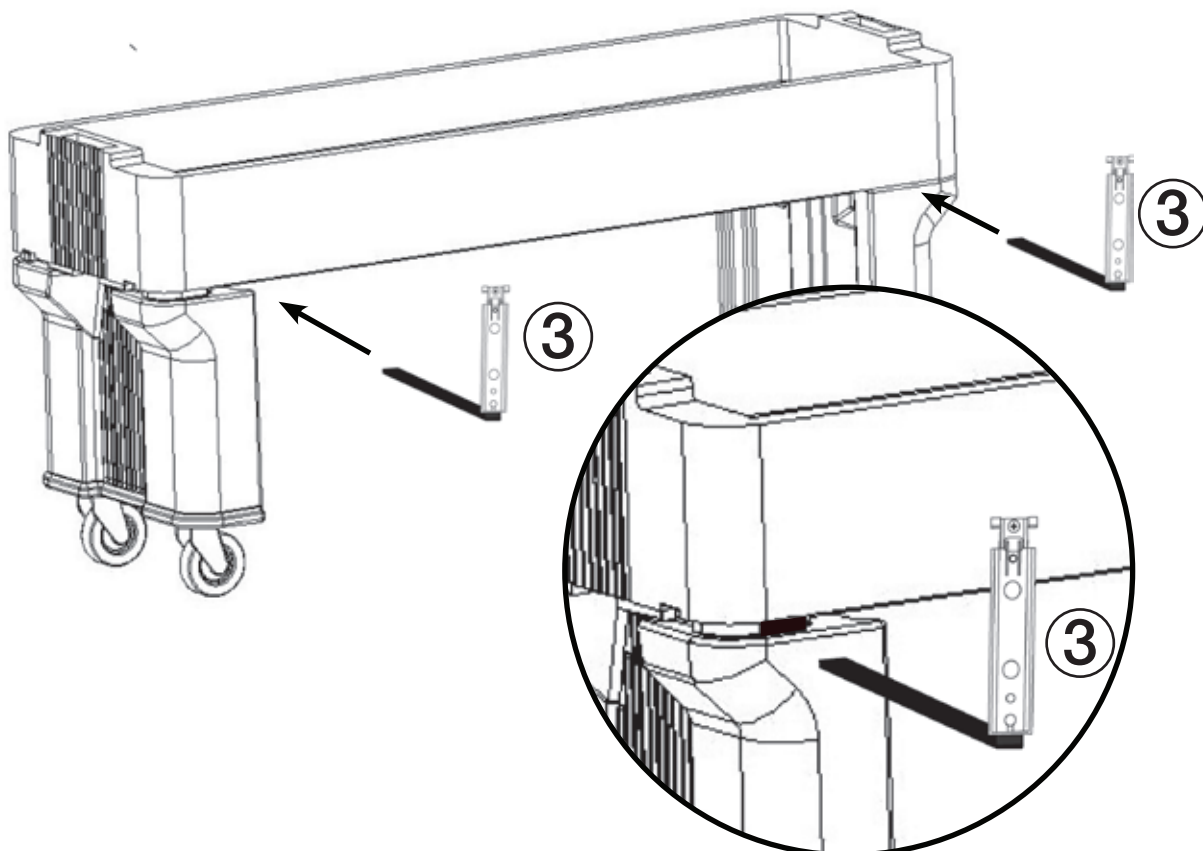
## Parts List

Item	Description	QTY
2	Tray Slide	1
3	End Shelf Bracket	2
4	Hex Bolt	4
5	Washer	4



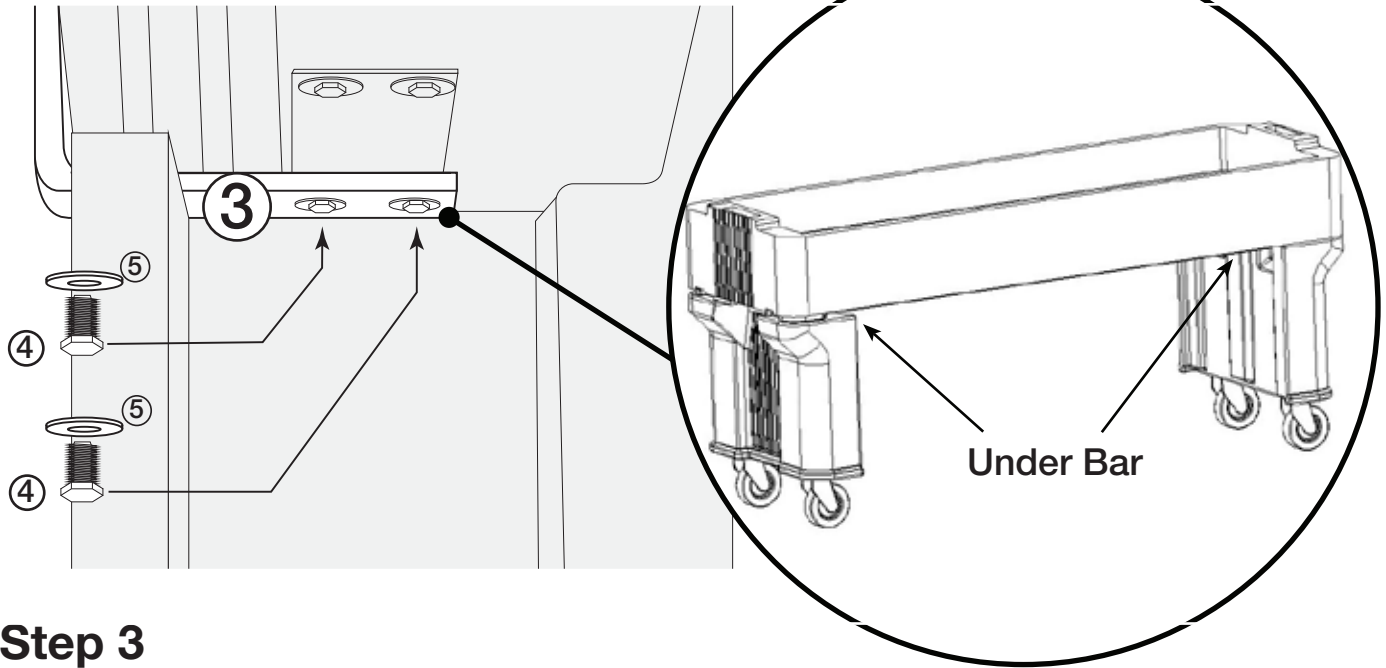
### Step 1

- Remove thread plugs from under bar
- Slide the tray slide bracket (3) into slot located near the side of the bar



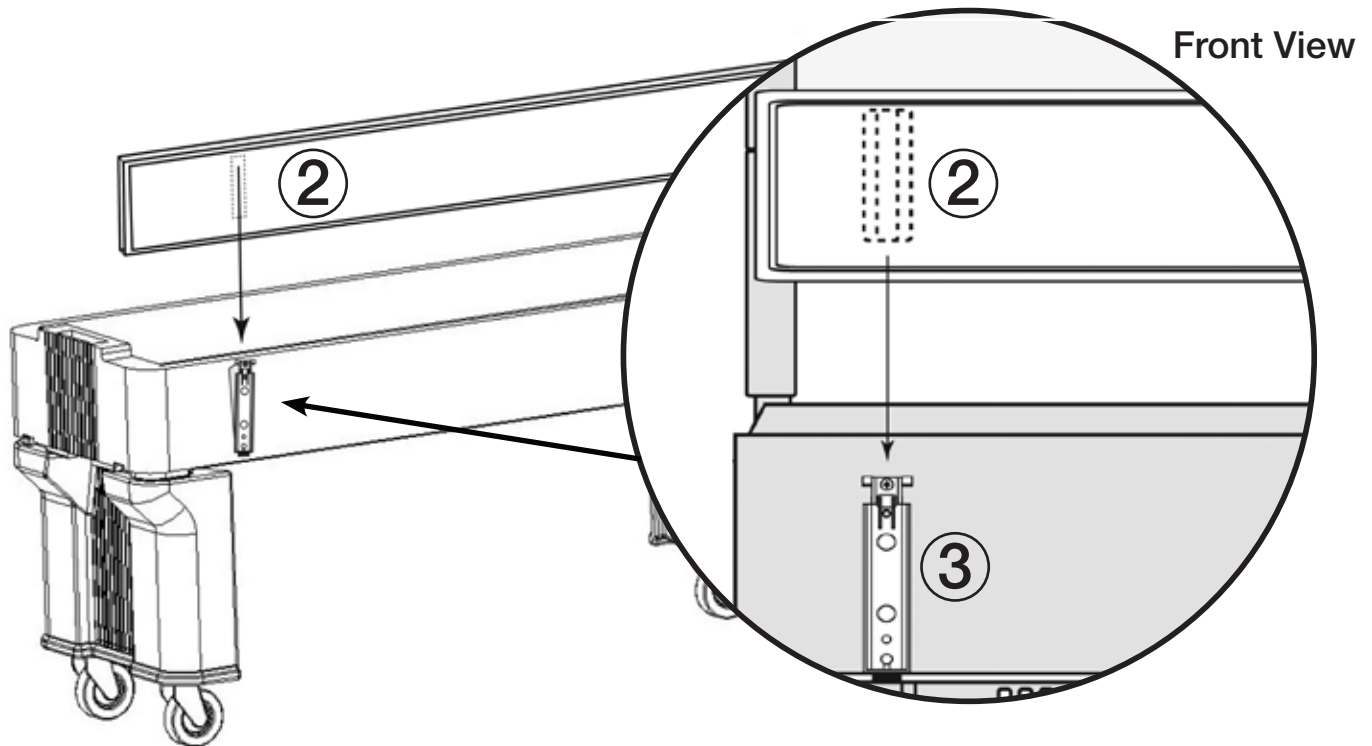
## Step 2

- Installation must be done under the bar
- Using your 7/16" wrench (1), Install bolts (4) and washer (5) to secure both mounting brackets
- Fully tighten bolts



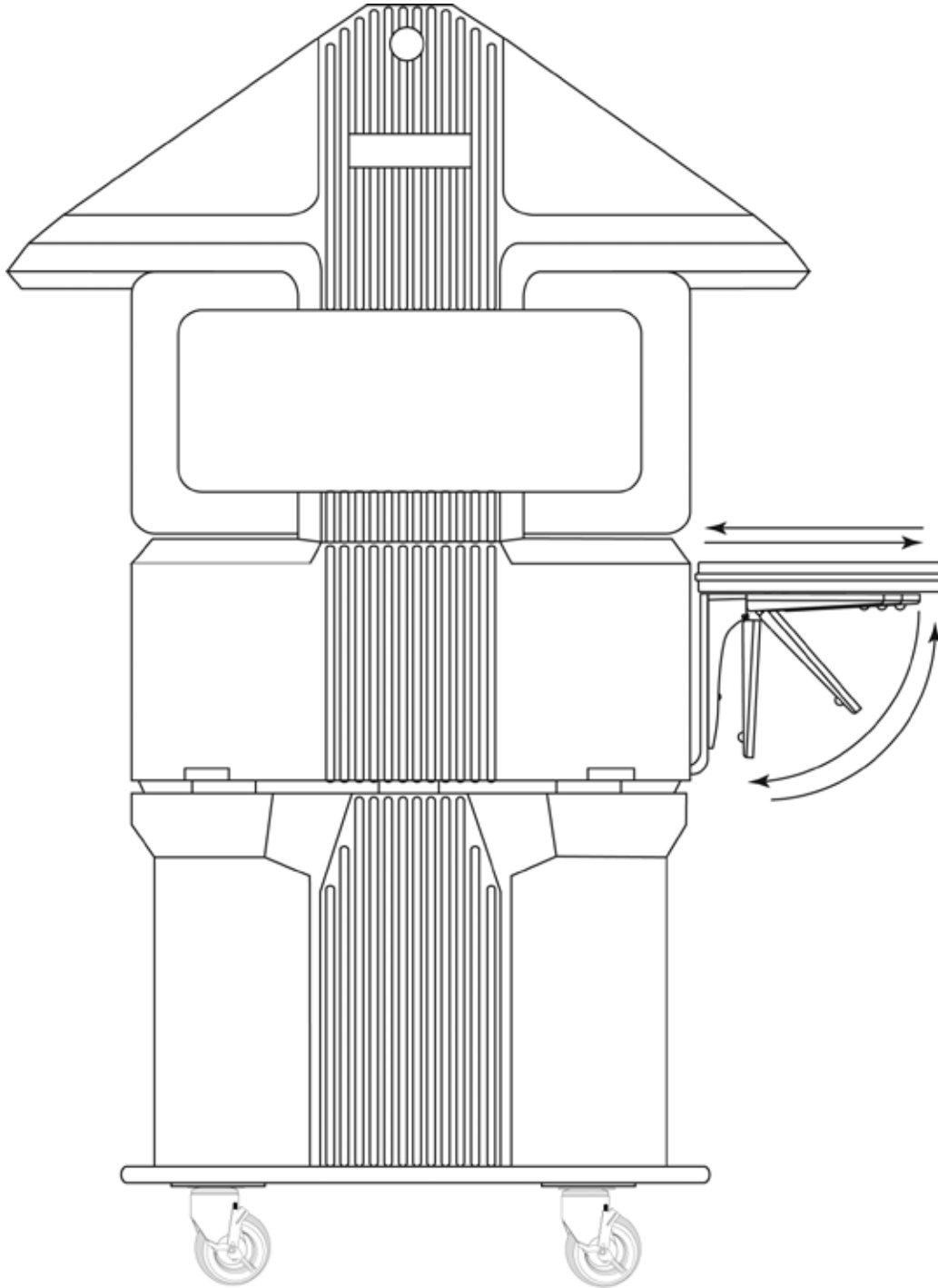
## Step 3

- Aligned end of tray slide (2) with both end slide brackets
- Slide the tray slide all the way down both end shelf brackets
- Tray slide assembly is complete



## Slide Operation

- Lift tray slide up to be horizontal
- Push slide towards bar to lock into place
- Reverse above instructions to lower slide



P.O. Box 53006  
Oklahoma City, Oklahoma 73152-3006  
(405) 475-5600 • 1-800-654-8210  
[www.carlislefsp.com](http://www.carlislefsp.com)  
© 2014 Carlisle FoodService Products  
104803752 Rev 05/14

**CARLISLE**  
FOODSERVICE PRODUCTS