

Six-Star™ End Shelf Assembly Instructions



P.O. Box 53006
Oklahoma City, Oklahoma 73152-3006
(405) 475-5600 • 1-800-654-8210
www.carlislefsp.com
© 2014 Carlisle FoodService Products
#104803753 Rev 05/14

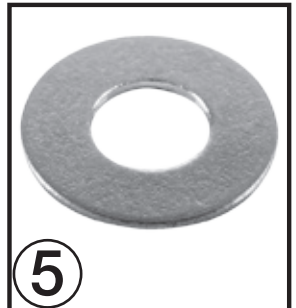
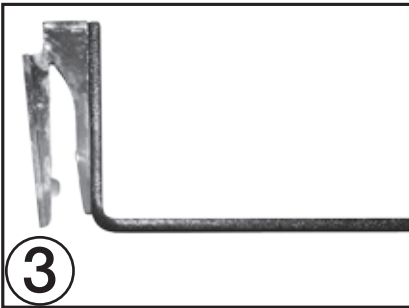
CARLISLE
FOODSERVICE PRODUCTS

Tools Needed

Item	Description	QTY
1	7/16 Wrench (Not included)	1

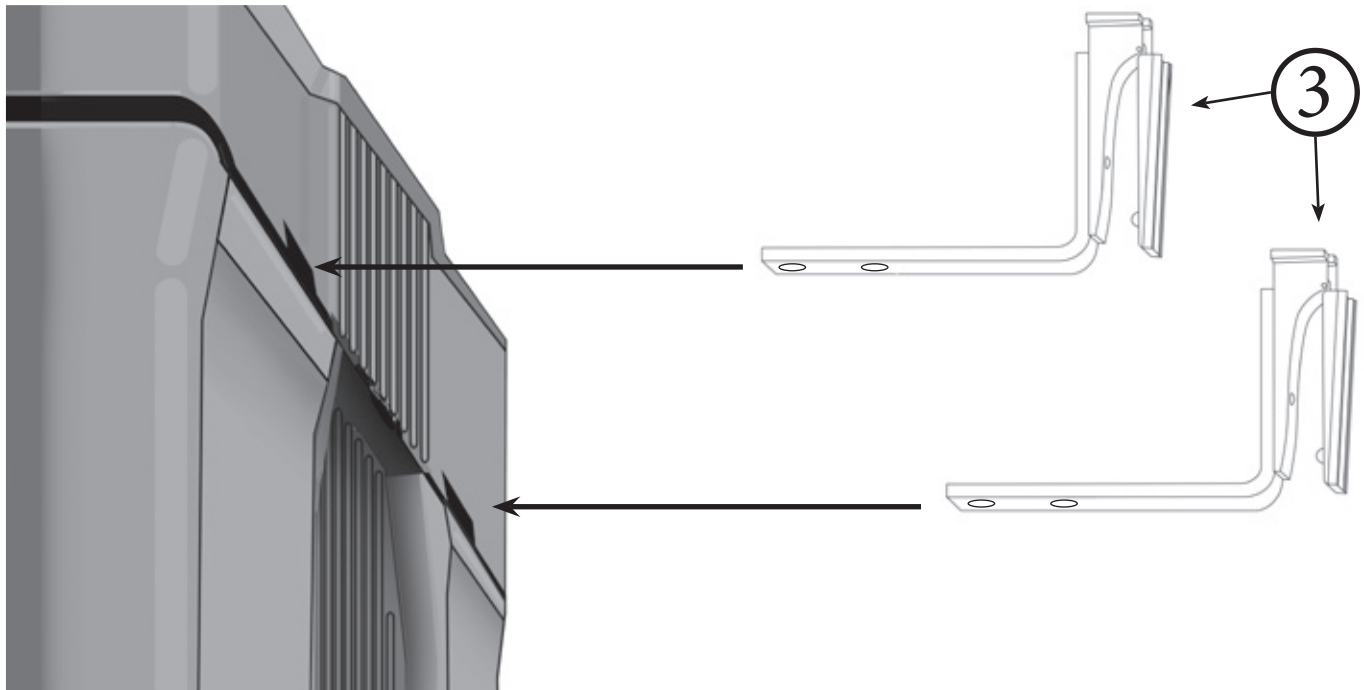
Parts List

Item	Description	QTY
2	End Shelf	1
3	End Shelf Bracket	2
4	Hex Bolt	4
5	Washer	4



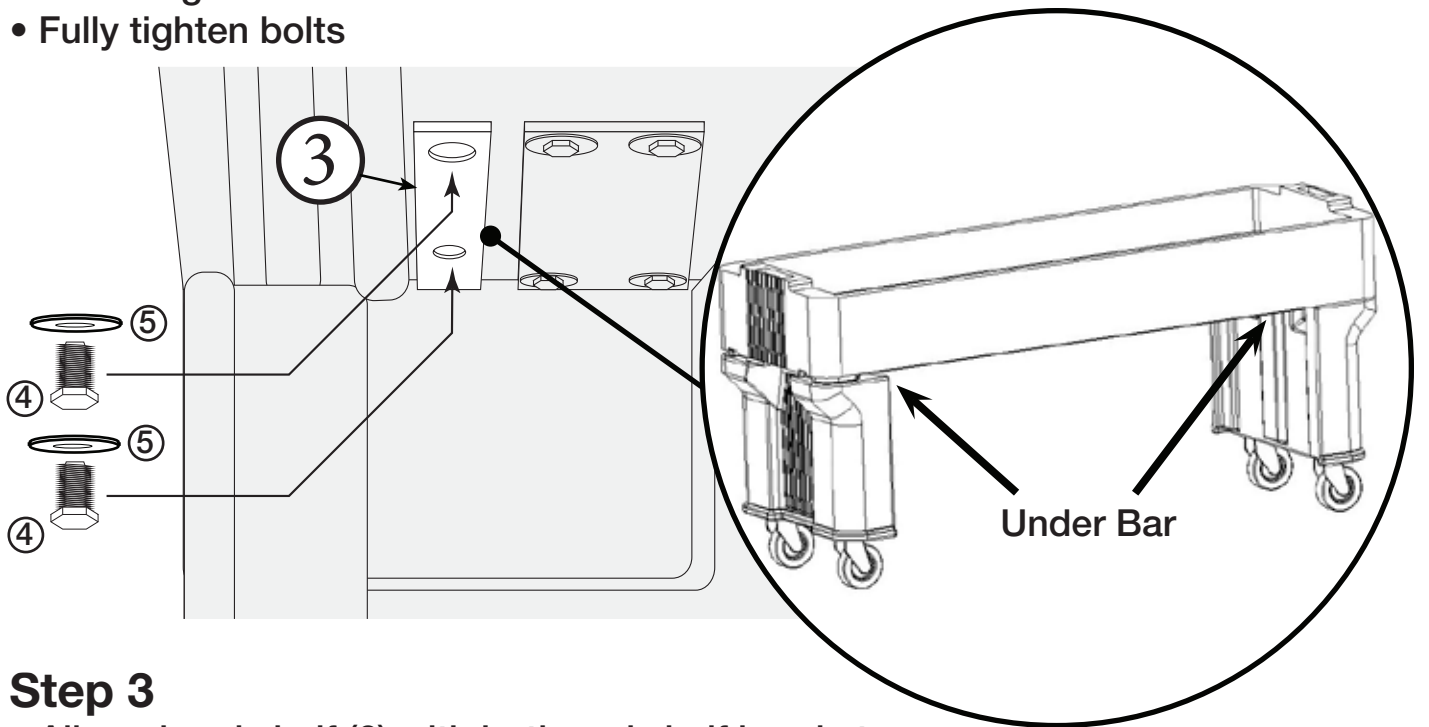
Step 1

- Remove yellow thread plugs from under bar
- Slide end shelf bracket (3) into slot located on the side of the bar



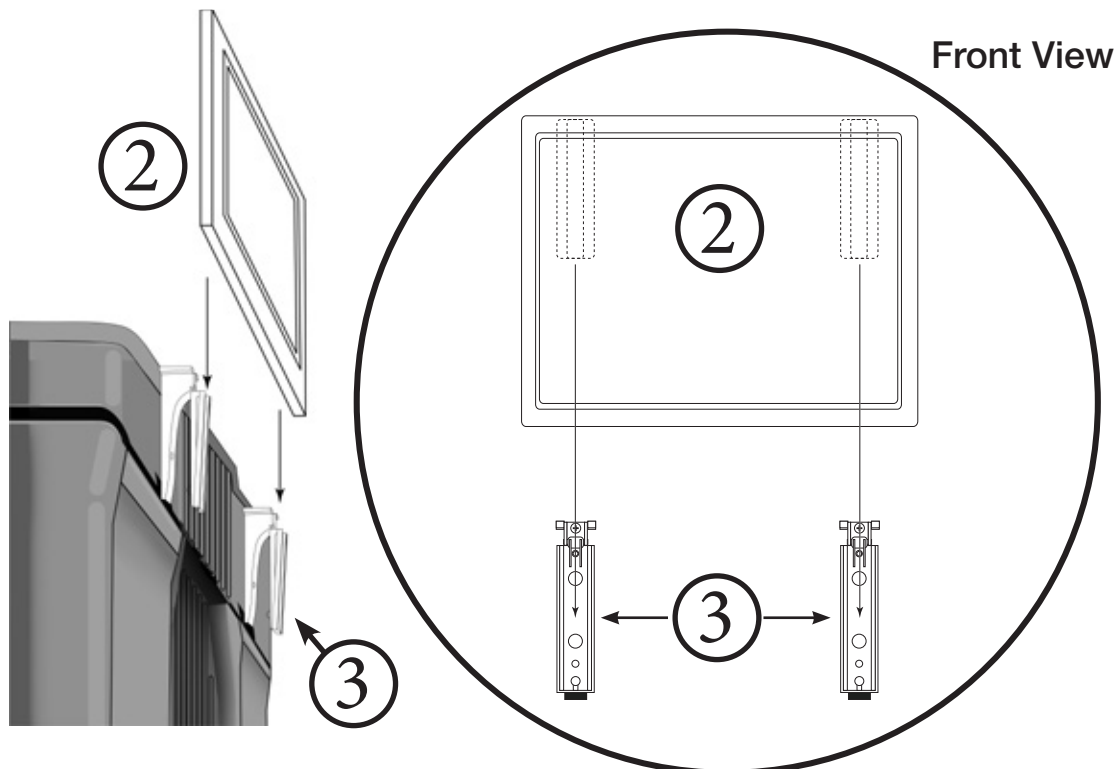
Step 2

- Installation must be done under the bar
- Using your 7/16" wrench (1), Install bolts (4) and washer (5) to secure both mounting brackets
- Fully tighten bolts



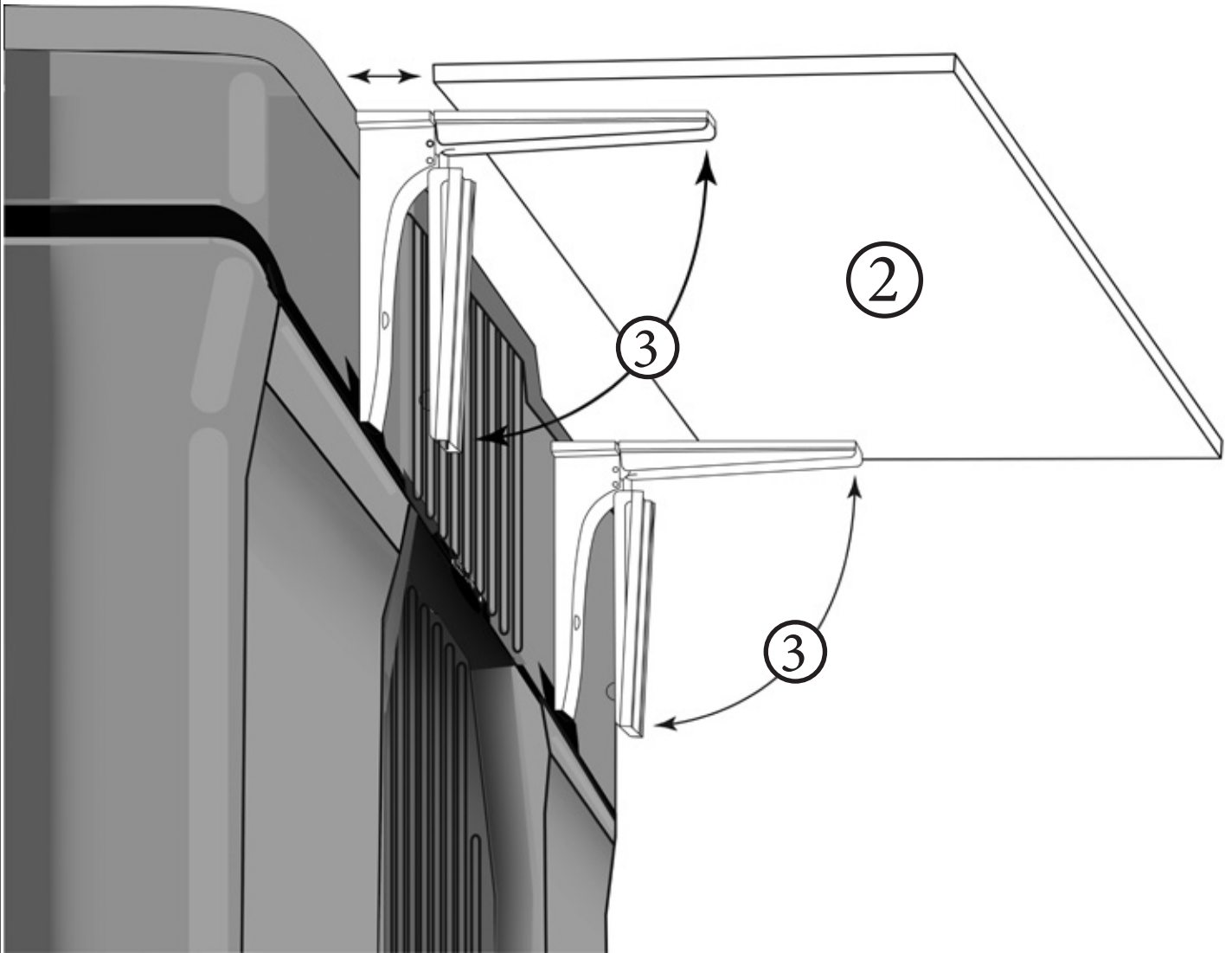
Step 3

- Aligned end shelf (2) with both end shelf brackets
- Slide end shelf all the way down both end shelf brackets
- End shelf assembly is complete



End Shelf Operation

- Lift end shelf up to be horizontal
- Push end shelf towards bar to lock into place
- Reverse above instructions to lower side rack



P.O. Box 53006
Oklahoma City, Oklahoma 73152-3006
(405) 475-5600 • 1-800-654-8210
www.carlislefsp.com
© 2014 Carlisle FoodService Products
#104803753 Rev 05/14

CARLISLE
FOODSERVICE PRODUCTS