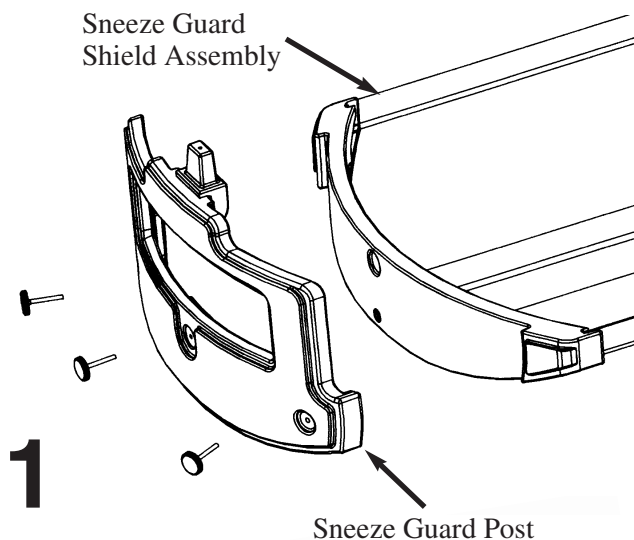


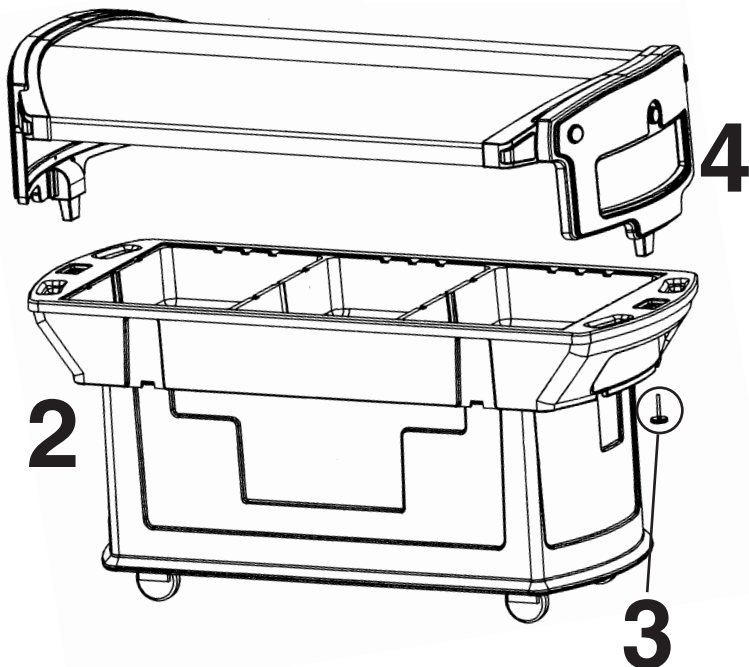
# MAXIMIZER™ FOOD BAR ASSEMBLY INSTRUCTIONS

Sneeze Guard  
Shield Assembly



**Step 1:** Carefully remove Sneeze Guard Shield Assembly from box. Place assembly upside down on floor. Position Sneeze Guard Posts onto ends of Shield Assembly as shown in diagram and secure with (3 each) black plastic knobs at each end.

**Step 2:** Remove black plastic knobs from bottom of Sneeze Guard Posts and put aside. Slowly and carefully turn Shield Assembly upright and position on top of Food Bar with Sneeze Guard Posts dropping into sockets at each end.



**Step 3:** With Sneeze Guard Assembly seated securely, insert the two remaining black plastic knobs through underside of basin and screw into bottom of Sneeze Guard Posts. Tighten knobs with moderate force.

**Step 4:** To remove protective film from End Shields unscrew nuts at the top and bottom of End Shield housings within the Sneeze Guard Posts. Peel off protective film. Reinstall End Shields by reversing process.

## Sneeze Guard Cleaning Instructions

Wash in mild soap and water, rinse, and pat dry with a soft cloth or paper towel. To prevent the possibility of scratching or discoloration, NEVER use solvents such as acetone, alcohol, carbon tetrachloride, etc. NEVER use cleaners containing ammonia. NEVER wipe with a harsh or gritty cloth. NEVER use combination cleaner and wax, or spray wax. Use a paste wax to maintain luster.

Worldwide Headquarters:  
P.O. Box 53006  
Oklahoma City, Oklahoma 73152-3006  
(405) 475-5600 • FAX (405) 475-5607  
1-800-654-8210  
#104803805 5/02

European Distribution Center:  
Edisonstraat 84, P.O. Box 110  
6900 AC Zevenaar, The Netherlands  
Tel +31/(0)316-596550 • Telex 45642  
FAX +31/(0)316-340168

**CARLISLE**  
FoodService Products