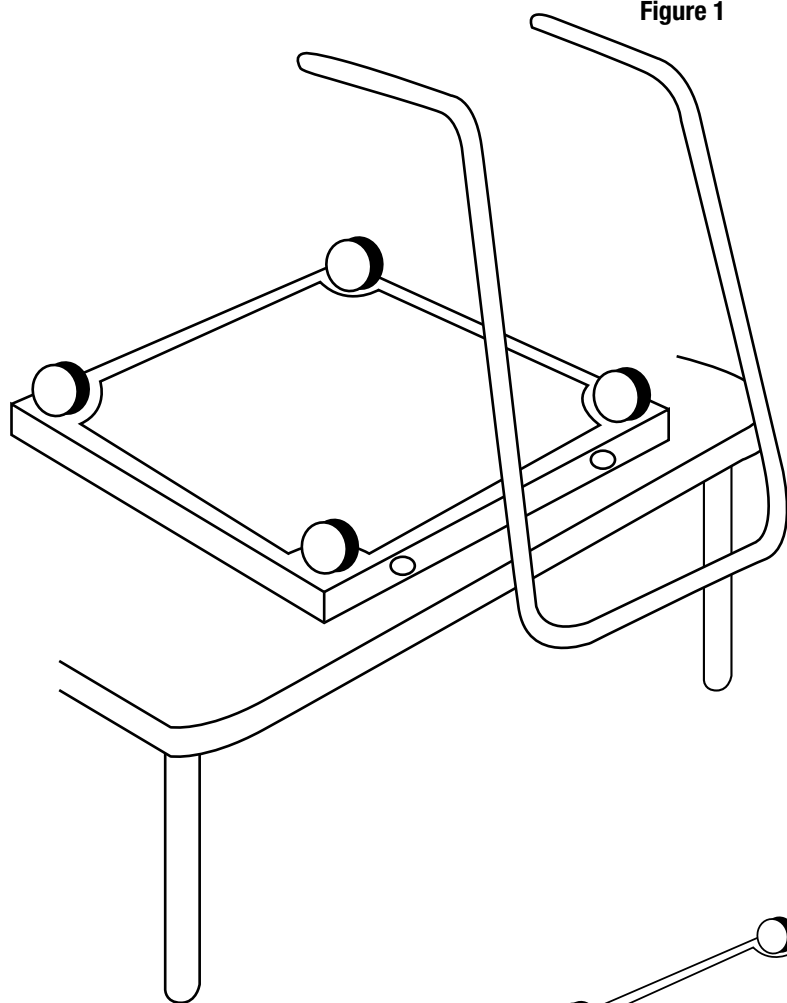


# ASSEMBLY INSTRUCTIONS FOR HANDLED DOLLIES

PRODUCT NUMBERS: XDL3000H, DL300HR, C2235HR

Figure 1



1. Set Dolly upside down at edge of table or bench (see Figure 1).
2. Insert handle into sockets on back edge of Dolly so that the handle hangs down as shown. (see Figure 2).
3. Secure handle to Dolly by inserting fastening screws through the four(4) pre-drilled holes on the bottom of the Dolly. Make sure each hole lines up with the hole on the handle inside the dolly. Tighten all screws.

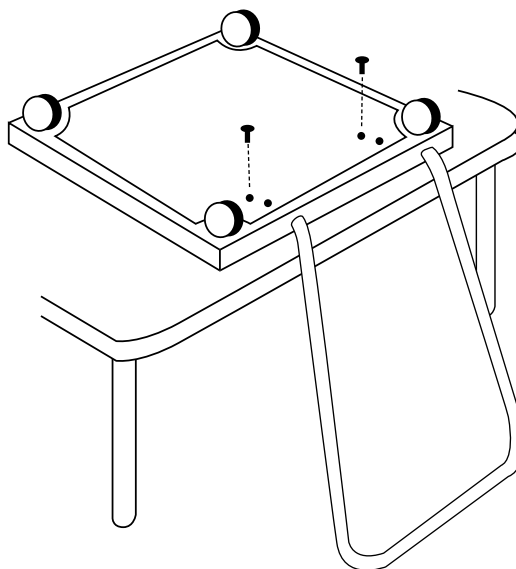


Figure 2

P.O. Box 53006  
Oklahoma City, Oklahoma 73152-3006  
(405) 475-5600 • FAX (405) 475-5607  
1-800-654-8210  
#104910020 Rev. 8/04

European Distribution Center:  
Edisonstraat 84, P.O. Box 110  
6900 AC Zevenaar, The Netherlands  
Tel +31/(0)316-596550 • Telex 45642  
FAX +31/(0)316-340168

**CARLISLE**  
FoodService Products