

APPLICATION:

PRODUCT NAME:  
**3/4 PRERINSE SPGCT 8BSELH**

JOB NAME:

MODEL:

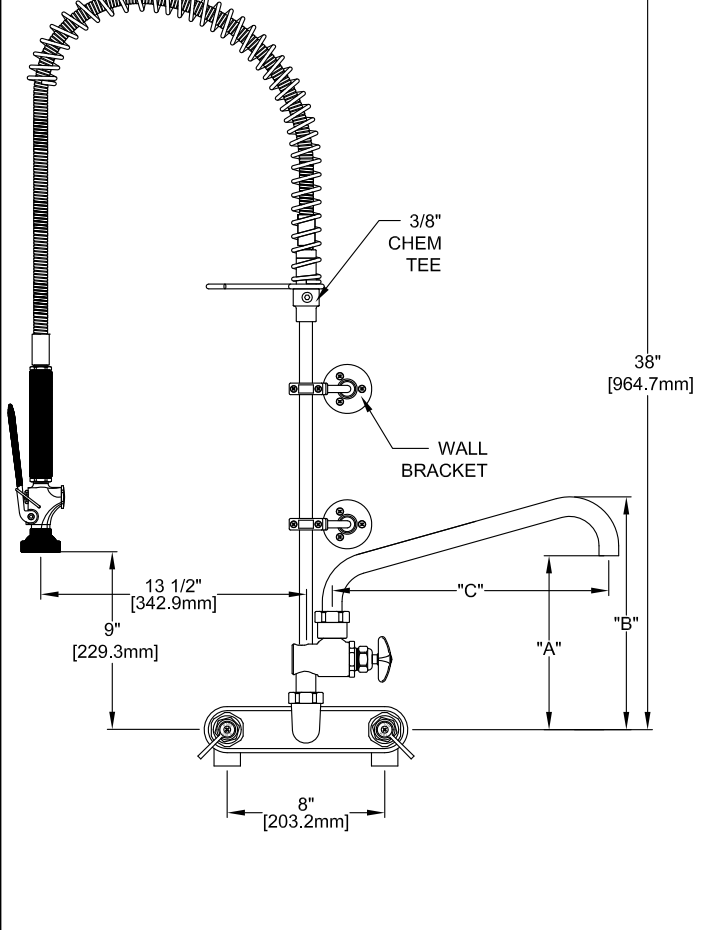
QUANTITY:

ITEM NO.:

- 49530 WITH 10" SWING SPOUT
- 99449 WITH 14" SWING SPOUT

OPTIONS OR MODIFICATIONS:

- OTHER \_\_\_\_\_



MODEL	DIM "A"	DIM "B"	DIM "C"
49530	7-3/4" [195.4mm]	10-3/4" [271.6mm]	10" [254.0mm]
99449	8 7/8" [224.4mm]	11 7/8" [300.4mm]	14" [354.1mm]

- FEATURES:
- 3/4" MAIN CONTROL VALVE
  - \* 8" C/C BACKSPLASH FAUCET
  - \* 3/4" NPT INLETS
  - \* SWIVELLING SEAT DISKS
  - \* HOT SIDE STEM - LEFT HAND
  - \* COLD SIDE STEM - RIGHT HAND
  - \* STAINLESS STEEL SEATS
  - \* STAINLESS STEEL SEAT SCREWS
  - \* STAINLESS STEEL HANDLE SCREWS
  - \* CLOSE ELBOWS

- ADD-ON FAUCET
- \* STEM - RIGHT HAND SWIVEL
  - \* COLD INDEX BUTTON
  - \* FULL 3/4" SEAT OPENING
  - \* SWIVELING SEAT DISKS
  - \* STAINLESS STEEL SEATS
  - \* STAINLESS STEEL SEAT SCREWS
  - \* STAINLESS STEEL HANDLE SCREWS
  - \* 10" SPOUT WITH 1" DIAMETER OUTLET
  - \* FLOW RATE: 37.0 GPM AT 80 PSI

- HOSE
- \* 36" LENGTH
  - \* STAINLESS STEEL END FITTINGS
  - \* STAINLESS STEEL EXTERNAL JACKET
  - \* 3-PLY FIBER REINFORCED INTERNAL RUBBER HOSE

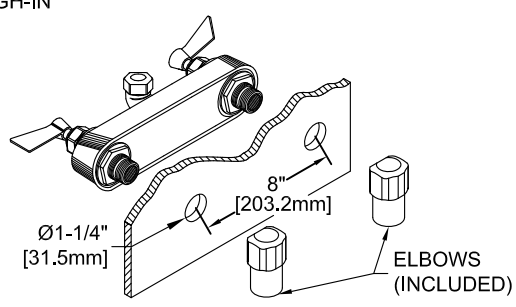
- ULTRA SPRAY VALVE
- \* LOWEST ENERGY USER - 1.15 GPM @ 60 PSI
  - \* CLEANS FASTER - TEST PROVEN
  - \* ENGINEERED TO LAST - NO 'O' RINGS TO LEAK
  - \* INTERCHANGEABLE - FITS ALL BRANDS

- WALL BRACKET
- \* ADJUSTS FROM 2" TO 12"

- SYSTEM LIMITS
- \* TEMP: 40°F MIN. TO 160°F MAX.
  - \* PRESSURE 200 PSI MAX. STATIC

- SHIPPING WEIGHT
- \* 18.0 LBS

ROUGH-IN



ASME A112.18.1 / CSA B125.1



FISHER MANUFACTURING COMPANY  
TOLL FREE: 800-421-6162 - FAX: 800-832-8238  
information@fisher-mfg.com - www.fisher-mfg.com