



Star® High Volume Conveyor Toasters

- QCS3-95HC QCS3-100C QCS3-130C
 QCS3-140BHC QCS3-160BC



FEATURES

- Forced convection system keeps the toaster cool-to-the-touch and increases productivity by circulating pre-heated air into toasting chamber
- Quartz infrared heaters provide faster, more consistent heating than traditional heating elements
- Long lasting, heavy-duty metal knobs and 1" non-skid heavy-duty rubber feet
- Variable speed and top/bottom heat control
- Power saver switch that reduces electricity consumption by 75%
- Extended conveyor belt for easy loading and large warming area for higher production
- Safe load-up area with full width coated front burn guard and cool-to-the-touch exterior
- Heated holding area to keep toast at the perfect temperature
- Hi-limit switch prevents toaster from overheating protecting critical component parts

DESCRIPTION

Star delivers high quality, reliable toasters. QCS3 conveyor toasters maximize productivity and power. Star's forced convection system keeps the toaster cool-to-the-touch and extends the life of critical components. The forced convection increases productivity by circulating pre-heated air into toasting chamber. Heavy-duty motor, drive chain and conveyor speed control for superior reliability. Toast bread, bagels, English muffins and more!

SPECIFICATIONS

14" wide belt can accommodate three (3) slices of bread side-by-side. Analog controls offer belt speed adjustment, standby mode, and intensity settings for both the top and bottom heating elements. Heavy-duty motor, drive chain and conveyor speed control for superior reliability. Conveyor belt tension system for smooth and quiet operation. High performance quartz infrared heaters for superior toasting performance and reliability. Units are easy to disassemble with one-piece cover for cleaning and service. Toast-ers are furnished with 1" adjustable legs and 4' cord. NEMA 6-20P plug standard for 208 & 240V applications UP TO 3200 Watts. NEMA 6-30P plug standard for 208 & 240V applications OVER 3200 Watts.

WARRANTY

These units come with a one [1] year warranty for parts and labor.

TOASTING CAPACITY

MODEL	DESCRIPTION	SLICES PER HOUR
QCS3-95HC	3.0" Opening BUN TOASTER	950
QCS3-100C	1.5" Opening COMPACT TOASTER	1,000
QCS3-130C	1.5" Opening COMPACT TOASTER	1,300
QCS3-140BHC	3.0" Opening -VARIABLE BAGEL/ BREAD TOASTER*	1,400
QCS3-160BC	3.0" Opening BAGEL TOASTER	1,600

CERTIFICATIONS



STAR MANUFACTURING INTERNATIONAL INC.
 265 Hobson St. • Smithville, TN 37166
 Telephone: 800 264 7827 • www.star-mfg.com

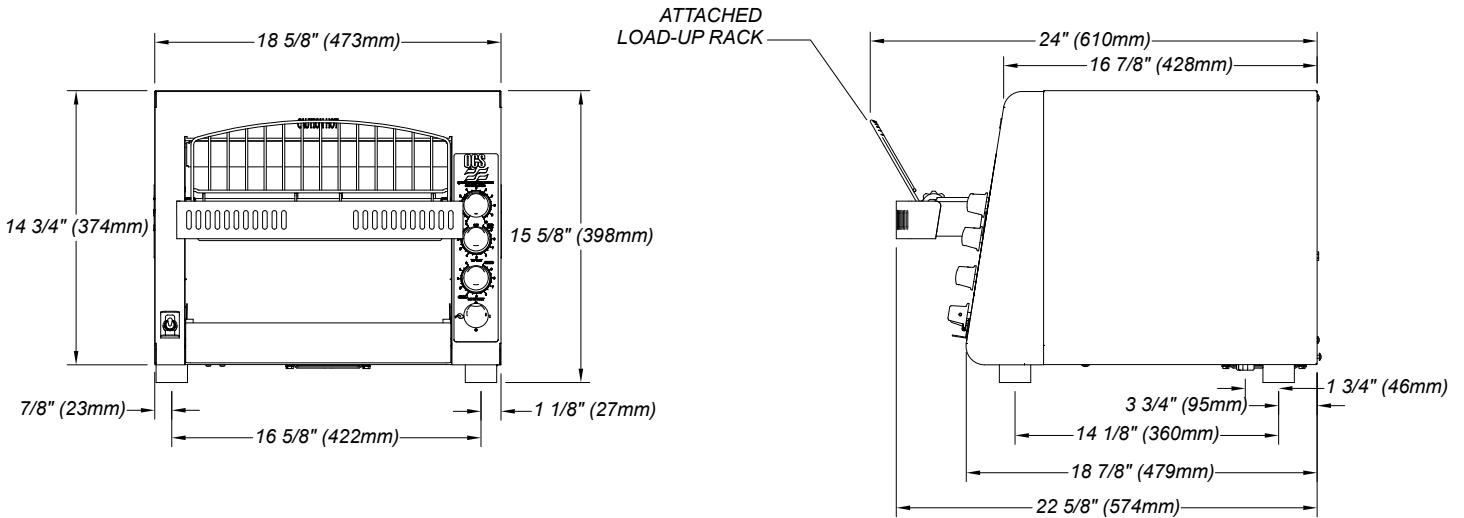
Printed in the U.S.A. 2M-Z22824 REV D (11-24)
 Specifications are subject to change without notice and are not intended for installation purposes.



Star® High Volume Conveyor Toasters

☐ QCS3-95HC ☐ QCS3-100C ☐ QCS3-130C

☐ QCS3-140BHC ☐ QCS3-160BC



MODEL	DESCRIPTION	HEIGHT in. (mm)	WIDTH in. (mm)	DEPTH in. (mm)	VOLTS ¹	HZ 1 PHASE	AMPS	WATTS	NEMA PLUG	APPROX. SHIP WEIGHT
QCS3-95HC	3.0" Opening BUN TOASTER	15.63 (398.0)	18.63 (473)	22.63 (574)	208 240 220	60 60 50	15.4 13.3 14.5	3,200 3,200 3,200	6-20 6-20 CEE7/7	68 lb. (149.6 kg)
QCS3-100C	1.5" Opening COMPACT TOASTER	15.63 (398.0)	18.63 (473)	22.63 (574)	208 240 220	60 60 50	15.4 13.3 14.5	3,200 3,200 3,200	6-20 6-20 CEE7/7	68 lb. (149.6 kg)
QCS3-130C	1.5" Opening COMPACT TOASTER	15.63 (398.0)	18.63 (473)	22.63 (574)	208 240 220	60 60 50	17.3 15.0 16.4	3,600 3,600 3,600	6-30 6-30 CEE7/7	68 lb. (149.6 kg)
QCS3-140BH*	3.0" Opening VARIABLE BAGLE/ BREAD TOASTER*	15.63 (398.0)	18.63 (473)	22.63 (574)	208 240 220	60 60 50	17.3 15.0 16.4	3,600 3,600 3,600	6-30 6-30 CEE7/7	68 lb. (149.6 kg)
QCS3-160BC	3.0" Opening BREAD TOASTER	15.63 (398.0)	18.63 (473)	22.63 (574)	208 240 220	60 60 50	17.3 15.0 16.4	3,600 3,600 3,600	6-30 6-30 CEE7/7	68 lb. (149.6 kg)

¹Specify 208V, 240V, or 230V Service when ordering

*QCS3-140BH: 3600W of power is applied evenly between top and bottom elements, like a standard toaster. A toggle switch in the lower left corner converts the unit to 3600W of TOP HEAT ONLY.

Due to periodic changes in designs, methods, procedures, policies and regulations, the specifications contained in this sheet are subject to change without notice. While Star Manufacturing exercises good faith efforts to provide information that is accurate, we are not responsible for errors or omissions in information provided or conclusions reached as a result of using the specifications. By using the information provided, the user assumes all risks in connection with such use.



STAR MANUFACTURING INTERNATIONAL INC.

265 Hobson St. • Smithville, TN 37166

Telephone: 800 264 7827 • www.star-mfg.com

Printed in the U.S.A. 2M-Z22824 REV D (11-24)

Specifications are subject to change without notice and are not intended for installation purposes.