

Glastender®

A family company manufacturing in the USA

www.glastender.com



F1SB48
stainless steel doors,
and stainless steel top



Intertek

EP 5016978
Energy Performance
Verified / Rendement
Énergétique Vérifié



Intertek

4004503
Conforms to
NSF/ANSI STD 7
and UL STD 471
Certified to
CSA STD C22.2 No. 120



Intertek



Capable of storing
specialty cocktail ice

Standard Features

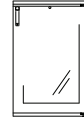
- Self-contained
- Stainless steel interior
- Locking door(s)
- LED interior lighting
- Two defrost cycles
- Automatic condensate evaporator
- Heated cabinet front to minimize condensation
- Three adjustable, coated-wire shelves

Project: _____	AIA# _____
Item #: _____ Qty: _____	SIS# _____
Model #: _____	

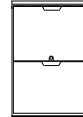
Frosters, One Zone, Side Serviced, Bar Profile

F1SB F1SB24, F1SB28, F1SB36, F1SB44, F1SB48

CONFIGURATION HIGHLIGHTS



**DOORS
IN NINE
FINISHES**



**DRAWERS
IN FIVE
FINISHES**

Configurable Options

Refrigeration Compartment

Location:

- Left or Right

Refrigeration Compartment

Cover Finish:

- Black vinyl-clad
- Stainless steel
- Jeweled stainless

Door Style & Finish (specify per door section):

- Black vinyl-clad
- Stainless steel
- Jeweled stainless
- Laminated
- Unlaminated
- Glass, black vinyl-clad
- Glass, stainless steel
- Glass, jeweled stainless
- Glass, laminated

Drawer Style & Finish:

- Black vinyl-clad
- Stainless steel
- Jeweled stainless
- Laminated
- Unlaminated

Door Hinge Location

- Left or Right

Door Handle:

- Signature (drawers excluded)
- Pull-tab
- Tube

Top Style:

- No finished top
- Stainless top

Left and Right Side Finish:

- Black vinyl-clad
- Stainless steel

Back Finish:

- Galvanized steel
- Stainless steel

LED Lighting Style:

- Bright white (7,000k)
- Warm white (3,500k)
- Amber (2,700k)
- Blue

Glastender, Inc. • 5400 N Michigan Rd • Saginaw, MI • 48604-9780
989.752.4275 • 800.748.0423 • Fax 989.752.4444
www.glastender.com

Approval/Notes:

Specifications subject to change without notice. For current specifications please visit our website.

Frosters - One Zone, Side Serviced, Bar Profile

Specifications

		F1SB24	F1SB28	F1SB36	F1SB44	F1SB48
Dimensions	Length	24"	28"	36"	44"	48"
	Number of Sections	1	1	2	2	2
	Door Opening	17.5"	20"	12"	16"	18"
Electrical	Electrical Supply	120V, 1 phase, 60 Hz, dedicated 15A circuit required				
	Full Load Amps	5.0				
	Plug Type	8 foot NEMA 5-15P grounded cord and plug which exits the back of refrigeration compartment				
Refrigeration	Refrigerant	R290 refrigerant - 130 grams, 4.59 oz, 0.29 pounds				
	Compressor	Reciprocating, 1/3 HP, 1300 BTUH, 0.11 Tons				
	Heat Rejection	2048 BTUH				
Operating Range		12°F (-11°C) to 35°F (2°C)				
Plumbing		Automatic condensate evaporator. No drain connection required †				
Weight Bearing Capacity		Countertops and other accessories should not exceed 500 pounds per door				

Materials

- Stainless steel parts include: exterior sub-top, interior, front of cabinet, hinges, hinge and lock brackets, and optional legs
- Black vinyl-clad steel parts include: standard sides, doors and compressor cover
- Galvanized steel parts include: back and bottom
- Zinc plated CR steel parts include: leg sockets

Refrigeration

- Fin & tube evaporator with forced air circulation
- Equipped with manual fast freeze mode that accelerates the freezing process and automatically reverts back to the normal operating mode



† Building conditions outside the guidelines of ASHRAE 55 and ASHRE 62.1 may need to be plumbed to a drain.

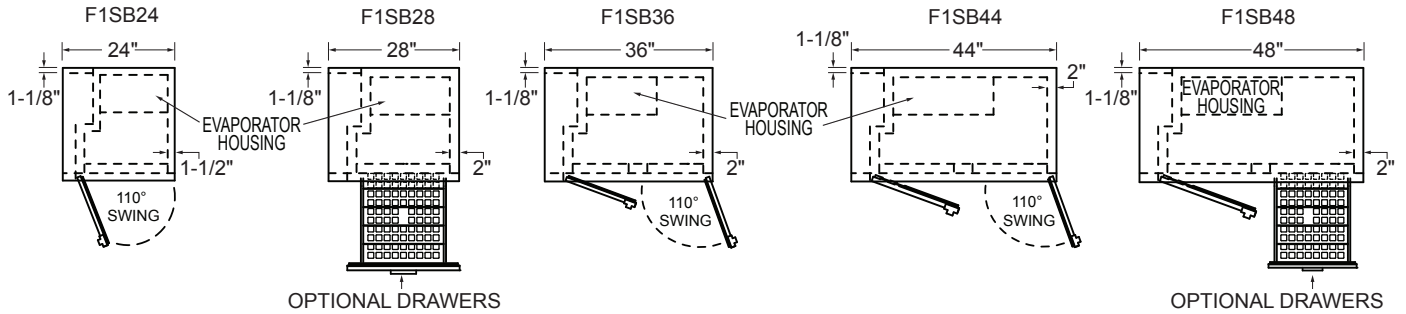
Capacities

	F1SB24	F1SB28	F1SB36	F1SB44	F1SB48
10 oz. Mugs	132	160	223	299	339
6" High Pint Glasses	97	100	155	200	214

Frosters - One Zone, Side Serviced, Bar Profile

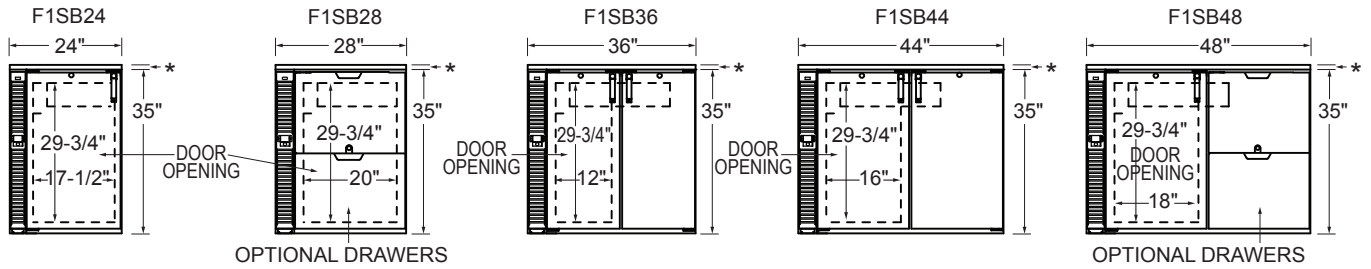
Drawings

PLAN VIEWS



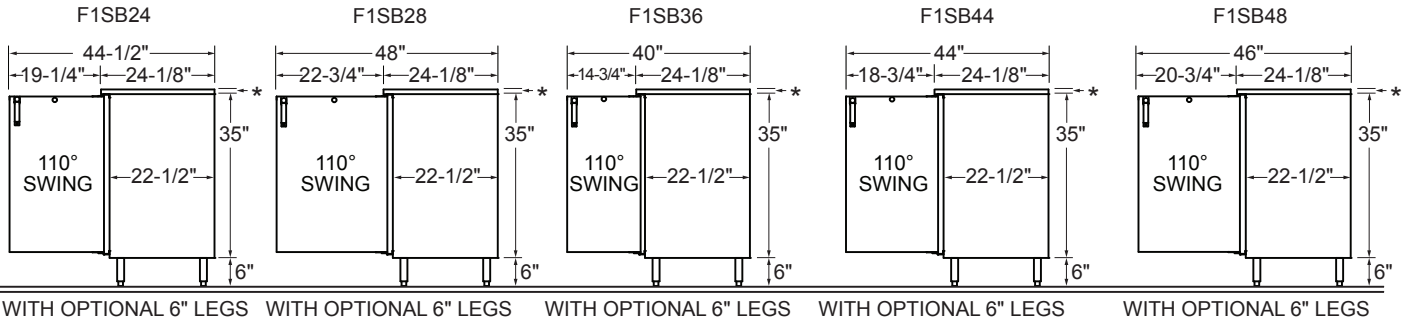
FRONT VIEWS

*ADD 1" HEIGHT TO TOP FOR FACTORY INSTALLED TOP



SIDE VIEWS

*ADD 1" HEIGHT TO TOP FOR FACTORY INSTALLED TOP



SIDE VIEWS

