



Profit from the Eagle Advantage®

Specification Sheet

Short Form Specifications

Eagle Spec-Bar® Beverage Dispenser, model _____.
Tarnish-free brass or stainless steel construction. Stainless steel drain pan with lift-out perforated insert for ease of cleaning. Four or five faucet configuration available.



four-faucet unit

Options / Accessories

- Cooling block

Item No.: _____
Project No.: _____
S.I.S. No.: _____

Spec-Bar® Beverage Dispensers

MODELS:

- BT4S-DT
- BT4B-DT
- BT5S-DT
- BT5B-DT

Design and Construction Features

- Tarnish-free solid brass or stainless steel construction.
- Drain pan with lift-out perforated insert for cleaning ease.
- Available with four- or five-faucet configurations. More available on special orders.
- Stainless steel undercounter models available.
- Drain pan has 1/2" (13mm) tailpiece.
- Shank size is 3/16" (5mm) I.D. standard.
- 3/16" (5mm) beer line included—60" (1524 mm) long.

Notes:

- The tower and undercounter beverage dispensers are generic to most beverage delivery systems. Such delivery systems must be supplied by others.
- Knobs are not included.

EAGLE GROUP
100 Industrial Boulevard
Clayton, DE 19938-8903 USA
Phone: 302-653-3000 • 800-441-8440
Fax: 302-653-2065
www.eaglegrp.com • www.eaglemhc.com

For custom configuration or fabrication needs, contact our **SpecFAB® Division**.
Phone: 302-653-3000 • Fax: 302-653-2065 • e-mail: quotes@eaglegrp.com



EG40.46 Rev. 06/22

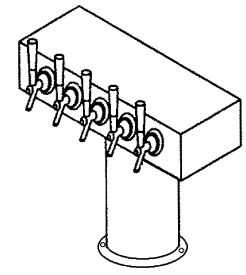
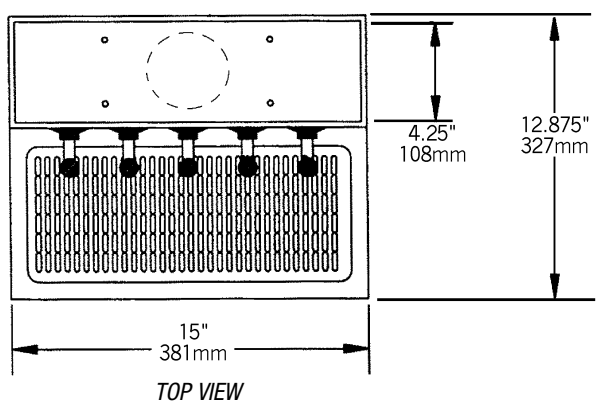
Spec sheets available for viewing, printing or downloading from our online literature library at www.eaglegrp.com

Eagle Foodservice Equipment, Eagle MHC, and SpecFAB® are divisions of Eagle Group. ©2022 by the Eagle Group

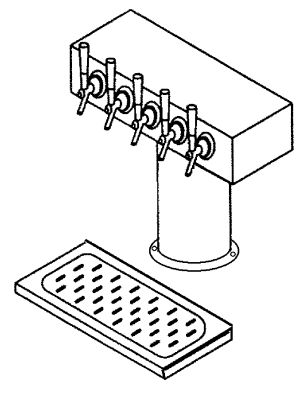
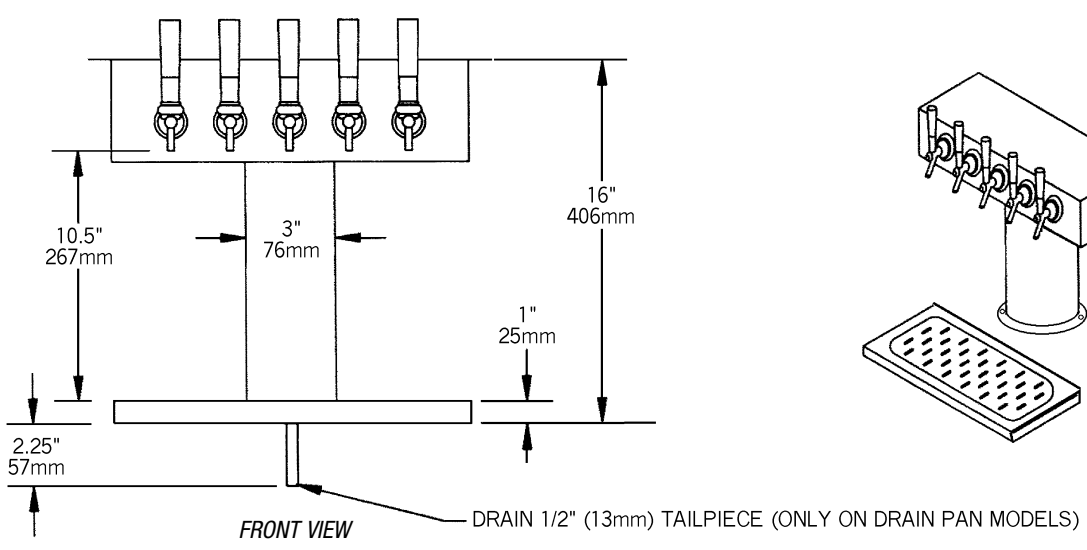


Item No.: _____
 Project No.: _____
 S.I.S. No.: _____

Spec-Bar® Beverage Dispensers



NOTE: THE TOWER AND THE UNDERCOUNTER BEVERAGE DISPENSERS ARE GENERIC TO MOST BEVERAGE DELIVERY SYSTEMS. SUCH DELIVERY SYSTEMS MUST BE SUPPLIED BY OTHERS.



model #	description	weight	
		lbs.	kg
BT4S-DT	stainless steel, 4 faucets	23	10.4
BT4B-DT	brass, 4 faucets	23	10.4
BT5S-DT	stainless steel, 5 faucets	25	11.3
BT5B-DT	brass, 5 faucets	25	11.3

EAGLE GROUP
 100 Industrial Boulevard, Clayton, DE 19938-8903 USA
 Phone: 302-653-3000 or 800-441-8440 • Fax: 302-653-2065
 www.eaglegrp.com • www.eaglehmc.com

Printed in U.S.A.
 ©2022 by Eagle Group
 Rev. 06/22

Spec sheets available for viewing, printing or downloading from our online literature library at www.eaglegrp.com

Although every attempt has been made to ensure the accuracy of the information provided, we cannot be held responsible for typographical or printing errors. Information and specifications are subject to change without notice. Please confirm at time of order.