

Mobile Bowl Stand

Heavy-Duty Stainless Steel



Model PB713



Model PB712

Add Mobility And Flexibility To Bulk Food Preparation

Benefits

- Mobility allows stand to be moved to the worksite or storage
- All-welded stainless steel construction is easy to clean and sanitize

Features

- Rugged all-welded construction for corrections use
- Top cutout accepts 30-quart (PB712) or 80-quart (PB713) bowl (not included)
- Lower shelf provides handy storage for supplies and ingredients

Casters

- Heavy-duty 4" stem-mount casters, two with brake

Specifications:

Shall be PrisonBilt Model PB712 or PB713 and shall be of fully-welded stainless steel construction. Top shall be of 16-gauge stainless steel and shall have a cutout to accept a round 30-quart (PB712) or 80-quart (PB713) bowl (not included). Upright legs shall be of 12-gauge angle stainless steel. Unit shall feature 16-gauge undershelf having floor clearance of 9¾" for storage of utensils, supplies and ingredients. Casters shall be 4" diameter all-swivel with non-marking 1" wide wheels. Two casters shall have locking wheel brake. Unit shall be NSF listed.



PRISONBILT

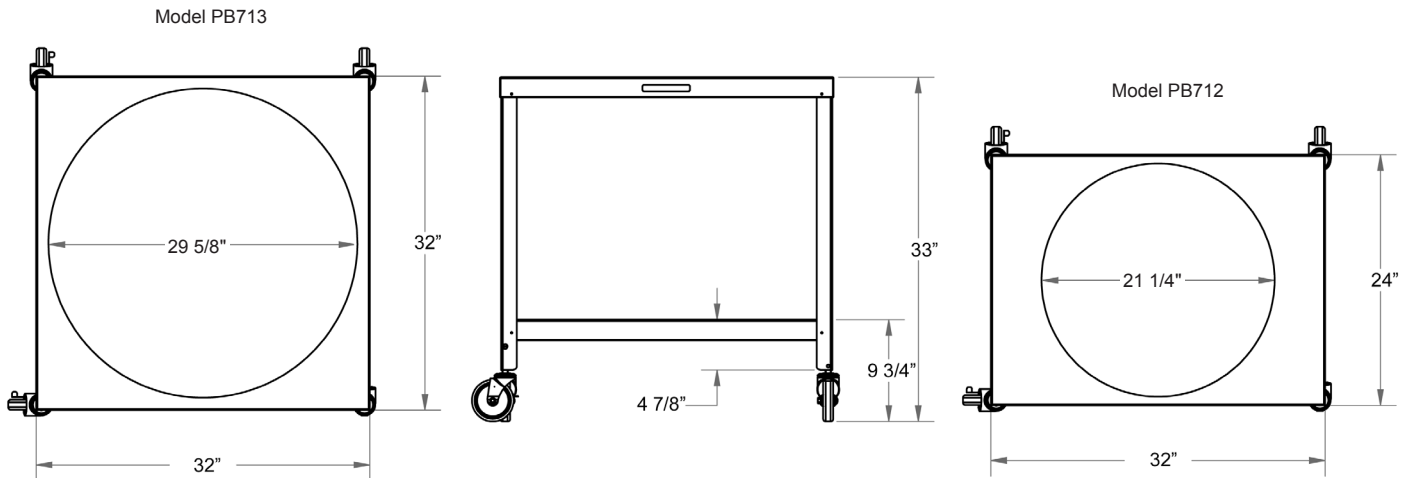
4900 West Electric Avenue • West Milwaukee, WI 53219 U.S.A.
414-902-6680 • Fax 414-902-6446 • www.prisonbilt.com

Mobile Bowl Stands

Heavy-Duty Stainless Steel

Spec. #

AIA #



Dimensions:

Model	Overall Size			Accepts Bowl Size	Bowl Cut-out	Casters		Case Wt. Lbs.
	W	L	H			Type	Dia.	
PB712	24" (610)	32" (813)	33" (838)	30 Quart	21 1/4" (540)	All Swivel 2 w/Brake	4" (102)	50 (22.7 kg)
PB713	32" (813)	32" (813)	33" (838)	80 Quart	29 5/8" (752)	All Swivel 2 w/Brake	4" (102)	60 (27.3 kg)

Dimensions in () denote metric millimeters, unless otherwise noted.

Options:

- 30-Quart Aluminum Bowl (Model PB712)
- 80-Quart Aluminum Bowl (Model PB713)



PRISONBILT
 4900 West Electric Avenue • West Milwaukee, WI 53219 U.S.A.
 414-902-6680 • Fax 414-902-6446 • www.prisonbilt.com