

PRODIGY[®] ELITE

MC1448 - 1,400lb Cube Ice Machine Prodigy ELITE[®] Modular Cube Ice Machine

ENHANCED RELIABILITY

Integrated ICELINQ[®] App

Provides real-time diagnostics, access to settings and guided cleanings. The app also contains specific information for convenient maintenance.

Upgraded Sensors

Ice thickness and water sensor design enhances cleanability and amplifies durability.

Preservation Mode

Maximizes uptime and notifies users of potential issues.

EASE OF USE

AutoAlert[™] Panel

The AutoAlert[™] panel displays relevant machine status that is visible across the room. Now featuring an external bin full indicator light and easier to read 16-segment display.

SANITARY DESIGN

Removable, External Air Filters

Speeds up cleaning process and reduces unit footprint.

WaterSense Adaptive Purge

Optimizes water consumption, keeping the machine cleaner and operating more efficiently.



Compatible with ICELINQ[®]



The ICELINQ[®] app simplifies interaction with machine via Bluetooth[®] connection



Intelligent sensor technology maximizes efficiency and lowers operating costs



24 Hour Volume Production

Air Cooled		Remote		Water Cooled	
70°F/21°C 50°F/10°C	Air Water	90°F/32°C 70°F/21°C	70°F/21°C 50°F/10°C	Air Water	90°F/32°C 70°F/21°C
1553/706 lb/kg		1296/589 lb/kg	1357/617 lb/kg	1258/572 lb/kg	1444/656 1340/609 lb/kg



Modular Bin Options



MC1448 on B948S

Model Number*	Dimensions W" x D" x H"	Bin Application Capacity lb/kg	Finish	Ship Weight lb/kg
BL1048S	48 x 31 x 54.4	1000/454	Stainless Steel	268/122
BL1360S	60 x 61 x 54.4	1320/599	Stainless Steel	322/147
BL1660S	60 x 31 x 63.4	1660/753	Stainless Steel	340/154

* Contact Scotsman for bin top requirements.



Cube Ice

Common ice form, ideal for mixed drinks.



Small Cube
7/8" x 7/8" x 3/8"
(2.22 x 2.22 x .95 cm)



Medium Cube
7/8" x 7/8" x 7/8"
(2.22 x 2.22 x 2.22 cm)



Certification



Warranty

- 3 Years parts and labor on all components.
- 5 Years parts and labor on the evaporator.
- 5 Years parts on the compressor and condenser.
- Warranty valid in North, South & Central America for commercial installations.
- Contact factory for warranty in other regions.
- Residential Applications: 1 year parts and labor

Scotsman[®]

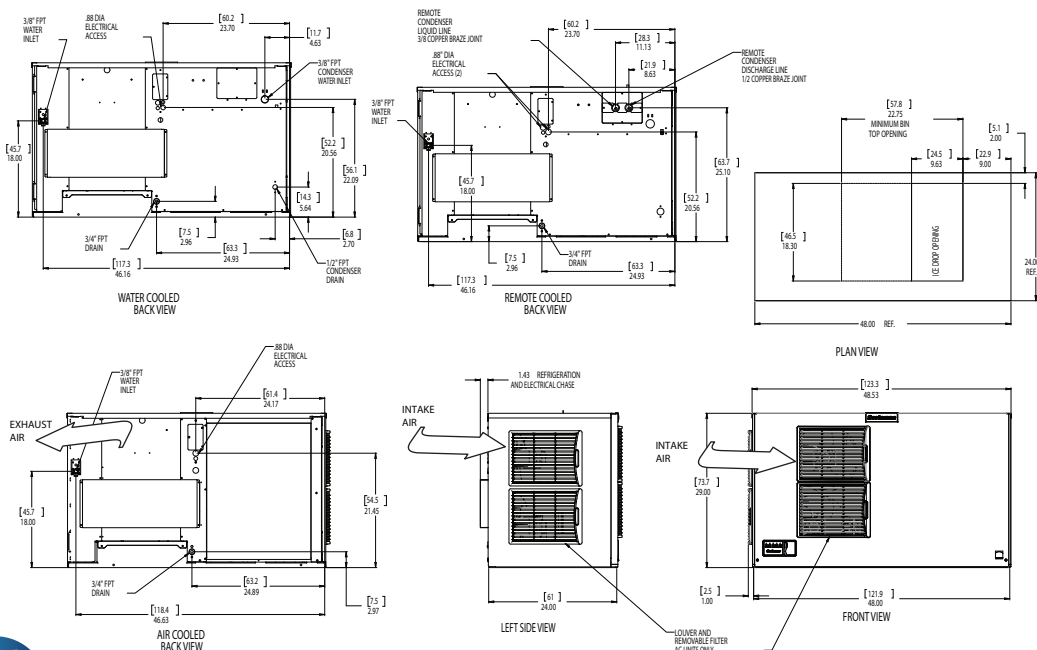
101 Corporate Woods Parkway, Vernon Hills, IL 60061

1-800-SCOTSMAN | Fax: 847-913-9844 | www.scotsman-ice.com | customer.relations@scotsman-ice.com

MC1448 - 1,400lb Cube Ice Machine

MC1448 - 1,400lb Cube Ice Machine

Prodigy ELITE® Modular Cube Ice Machine



Specifications

Model Number*	Condenser Unit	Basic Electrical Volts/Hz/Phase	Max. Fuse Size or HACR Circuit Breaker (amps)	Circuit Wires	Min. Circuit Ampacity	Energy Consumption kWh/100 lb (45.4 kg) 90°F(32°C)/70°F(21°C)	Water Usage Gallons/100 lb (liters/45.4 kg)		Energy Star
							Potable 90°F(32°C)	Condenser 70°F(21°C)	
MC 1448MA-32	Air	208-230/60/1	30	2	17.7	4.25	18.0/68.3	-	✓
MC 1448MA-3	Air	208-230/60/3	30	3	13.6	4.25	18.0/68.3	-	
MC 1448MR-32	Remote	208-230/60/1	30	2	17.0	4.34	18.0/68.3	-	✓
MC 1448MR-3	Remote	208-230/60/3	30	3	12.9	4.34	18.0/68.3	-	
MC 1448MW-32	Water	208-230/60/1	30	2	16.0	3.70	18.0/68.3	100.0/379.5	✓
MC 1448MW-3	Water	208-230/60/3	30	3	11.9	3.70	18.0/68.3	100.0/379.5	
MC 1448SA-32	Air	208-230/60/1	30	2	17.7	4.25	18.0/68.3	-	✓
MC 1448SA-3	Air	208-230/60/3	30	3	13.6	4.25	18.0/68.3	-	
MC 1448SR-32	Remote	208-230/60/1	30	2	17.0	4.34	18.0/68.3	-	✓
MC 1448SR-3	Remote	208-230/60/3	30	3	12.9	4.34	18.0/68.3	-	
MC 1448SW-32	Water	208-230/60/1	30	2	16.0	3.70	18.0/68.3	100.0/379.5	✓
MC 1448SW-3	Water	208-230/60/3	30	3	11.9	3.70	18.0/68.3	100.0/379.5	



All Models

Dimensions (W x D x H):

Unit: 48" x 24" x 29"
(121.9 x 61.0 x 73.7 cm)

Shipping Carton: 52" x 27" x 35"
(132.1 x 68.6 x 88.9 cm)

Shipping Weight: 345 lb / 157 kg

BTUs per hour: 20,000

Refrigerant: R-404A



Accessories

Model Number	Description
KVS	Vari-Smart™ Ice Level Control - Precisely control ice levels using ultrasonic technology.
KBILC	Basic Ice Level Control - Thermistor technology, ideal for dispenser applications.
KSBU	Smart-Board™ Advanced Control - Use additional operational data for fast diagnosis.
KSBU-N	Smart-Board™ Advanced Control with Network - Network capable.
ERC311-32	Remote condenser for MC 1448xR, 208-230/60/1- Consult remote condenser spec sheet for details.
BRTE10	10ft (3.0 m) line set, brazing required
BRTE25	25ft (7.6 m) line set, brazing required
BRTE40	40ft (12.2 m) line set, brazing required
BRTE75	75ft (22.9 m) line set, brazing required
KPAS	Prodigy Advanced Sustainability Kit - Includes KVS and KSBU - N
XR-30	XSafe® Sanitation System for Modular Cube - Continuous operation, field-installed.

Scotsman recommends all ice machines have water filtration. See Scotsman water filter specification sheet for details.



Operating Requirements

	Minimum	Maximum
Air Temperatures	50°F (10°C)	100°F (38°C)
Water Temperatures	40°F (4.4°C)	100°F (38°C)
Remote Cond. Temps	-20°F (-29°C)	120°F (49°C)
Potable Water Pressure	20 PSIG (1.4 bar)	80 PSIG (5.5 bar)
Cond. Water Pressure	20 PSIG (1.4 bar)	230 PSIG (16.1 bar)
Electrical Voltage	-5%	+10%

Specifications and design are subject to change without notice.

