

**3M™ Water Filtration Products**

# 3M™ CFS22 Series Housings

3M™ CFS22 Series Housings allow high flow rates for point-of-entry applications. The low pressure drop across the system helps provide adequate water flow and pressure to all equipment. Various media options are available for both sediment and chlorine taste and odor reduction.

**Applications:**

- Sand, Sediment, Rust and Soil
- Chlorine Taste and Odor

**Product Benefits:**

- 1 inch and 1.5 inch NPT inlet and outlet connections allow high flow rates for point-of-entry applications
- Built-in pressure relief button relieves internal pressure for convenient cartridge change-outs
- Pressure tested high impact plastic design helps withstand pressure surges and water hammer
- Housing is certified by IAPMO R&T to NSF/ANSI 42 and CSA B483.1 standards
- Mounting bracket, screws, housing wrench and o-ring kit with lubricant included



**3M™ CFS22B 1.0 / CFS22B 1.5 Series Housing**

Product Specifications										
Model No.	Part No.	3M ID	SAP ID	Inlet/Outlet Size	Dimensions		Approx. Weight	Maximum Flow Rate	Temp. Range	Pressure Range
					Height	Diameter				
CFS22B 1.0	5639206	70-0203-5195-6	71-0021-7756	1" NPT	24-1/2" (62.2 cm)	7-3/16" (18.2 cm)	5.5 lbs. (2.5 kg)	45 gpm (170.3 lpm)	40 - 100 F (4.4 - 37.8 C)	25 - 100 psi (172 - 690 kPa)
CFS22B 1.5	5639205	70-0203-5194-9	71-0022-0257	1.5" NPT				60 gpm (227.1 lpm)		

Large Diameter Cartridge				
Model No.	Part No.	3M ID	Micron Rating	Description
CFS210-2	5618907	70-0201-7721-1	5 µm	Sediment reduction
CFS215-2	5589807	70-0200-1742-5	5 µm	Sediment, chlorine taste and odor reduction

# 3M™ Water Filtration Products

Spec # \_\_\_\_\_

Quantity \_\_\_\_\_

Model # \_\_\_\_\_

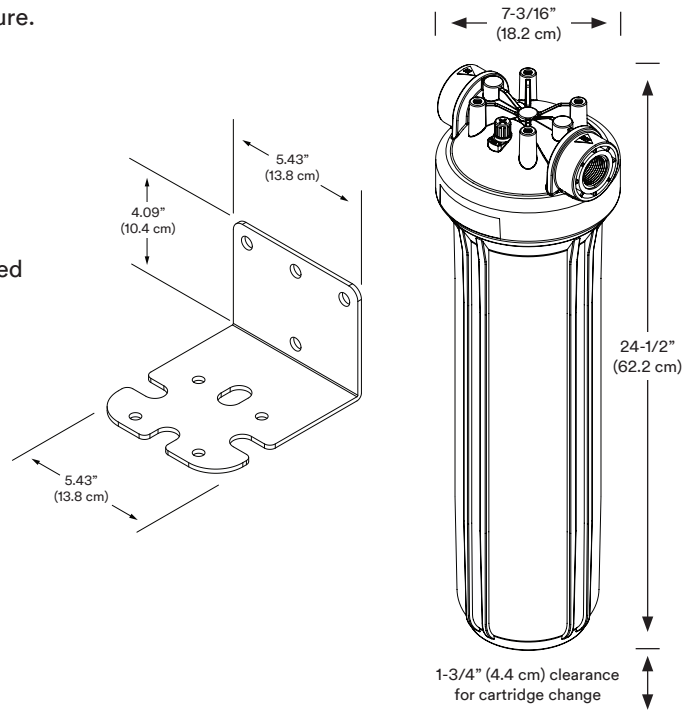
Part # \_\_\_\_\_

## Installation Tips:

- Shut off downstream equipment prior to installation of the system.
- Do not exceed operating parameters for temperature or pressure.
- Install on cold water line only.
- For commercial use only.

**WARNING: Do not use with water that is microbiologically unsafe or of unknown quality without adequate disinfection before or after the system.**

**NOTICE:** Change the disposable filter cartridge at the recommended interval; the disposable filter cartridge **MUST** be replaced every 6 months or sooner. Failure to replace the disposable filter cartridge at the recommended intervals may lead to reduced filter performance and failure of the filter, causing property damage from water leakage or flooding.



**3M™ CFS22B 1.0 / CFS22B 1.5  
Series Housing**

## Warranty, Limited Remedy, and Disclaimer:

**Warranty and Limited Remedy:** 3M warrants that each 3M product meets the applicable 3M product specification at the time 3M ships the product. 3M MAKES NO OTHER EXPRESS OR IMPLIED WARRANTIES OR CONDITIONS, INCLUDING ANY IMPLIED WARRANTY OR CONDITION OF MERCHANTABILITY OR FITNESS FOR A PARTICULAR PURPOSE. If a 3M product does not conform to this warranty, the sole and exclusive remedy is, at 3M's option, replacement of the 3M product or refund of the purchase price.

**Limitation of Liability:** Except for the limited remedy above, and except to the extent prohibited by law, 3M will not be liable for any loss or damage arising from or related to the 3M product, whether direct, indirect, special, incidental, or consequential, regardless of the legal or equitable theory asserted.



**3M Purification, Inc.**  
400 Research Parkway  
Meriden, CT 06450 U.S.A.

Toll Free 1-866-990-9785  
Worldwide 1-203-237-5541  
Fax: 1-303-238-8701  
Web 3Mfoodservice.com

3M is a trademark of 3M Company. © 2020 3M Company. All rights reserved.  
70-2016-0171-7 REV0920 Please recycle. Printed in U.S.A.