

DESIGNER LINE WARMER

Model: DL2W



2-Section Reach-In Warmer

DL2W - Stainless steel front, aluminum end panels and interior
DL2W-SA - Stainless steel exterior, aluminum interior
DL2W-SS - Stainless steel exterior and interior



Options and Accessories

(upcharge and lead times may apply)

Stainless steel case back	Special electrical req. (consult factory)
Additional chrome plated steel shelves	Rehinging of doors (consult factory)
Stainless steel shelves	Correctional Facility Options
Pan slide assemblies	<ul style="list-style-type: none"> One way security screws
Gcasters	<ul style="list-style-type: none"> Locking hasp (lock not included)
Custom laminates	<ul style="list-style-type: none"> Stainless steel mesh cover Coverless hinges

Consult factory for other model configurations, options and accessories.

Project Name:

Model Specified:

Location:

Item No:

Quantity:

AIA #:

SIS #:

Standard Model Features

HEATING SYSTEM

- Self contained, performance rated heating system
- 90°F to 180°F temperature range
- Top mounted heating plenum "plug" with circulating fan
- Unique air flow distribution ducts

CABINET ARCHITECTURE

- 3" non-CFC polyurethane foam insulation
- Smooth, polished chrome workflow door handles
- Cam action, lift off hinges
- Self-closing doors
- Magnetic snap in Santoprene™ door gaskets
- Cylinder lock in each door
- Heavy duty, chrome plated steel shelves
- Heavy duty pilaster strips
- Adjustable 6" stainless steel legs

MODEL FEATURES

- Automatic interior lighting
- Electronic controller with digital display & hi-low alarm
- Stainless steel strip heaters located in base of interior



APPROVAL:

Model Specifications

DIMENSIONAL DATA

Net Capacity (cubic feet)	50 (1416 cu l)
Width, Overall (inches)	52 (1321 mm)
Depth, Overall (inches) (including handles)	35 3/8 (899 mm)
Depth (inches) (less doors)	32 (813 mm)
Depth (inches) (doors open 90°)	55 1/2 (1410 mm)
Clear Door Width (inches)	19 3/8 (492 mm)
Clear Door Height (inches)	58 5/8 (1489 mm)
Height, Overall (inches) (including 6" legs)	83 1/4 (2115 mm)
Number of Doors	2
Number of Shelves	6
Shelf Area (square feet)	40.8 (3.8 sq m)
Tray Slide Capacity (per section)	19

ELECTRICAL DATA

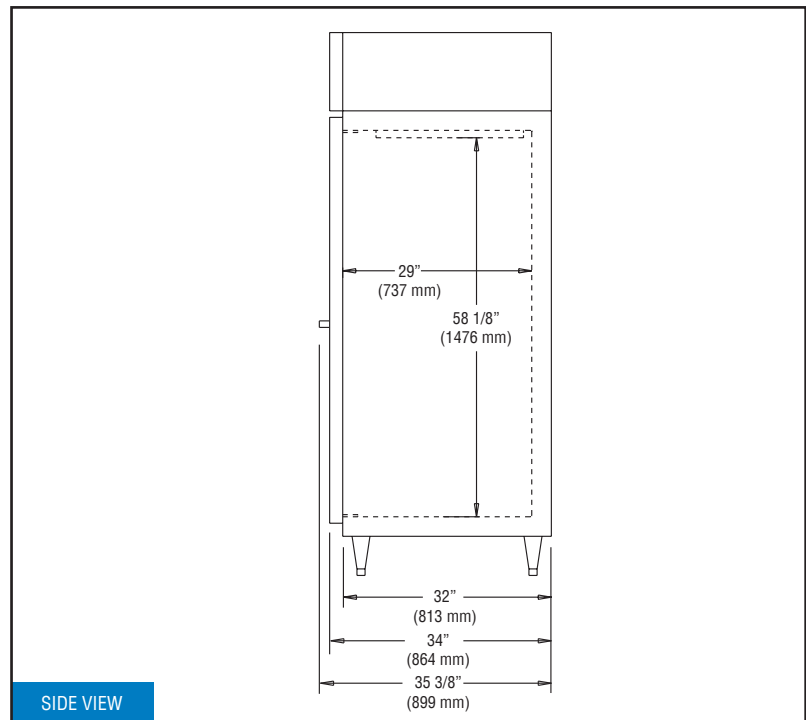
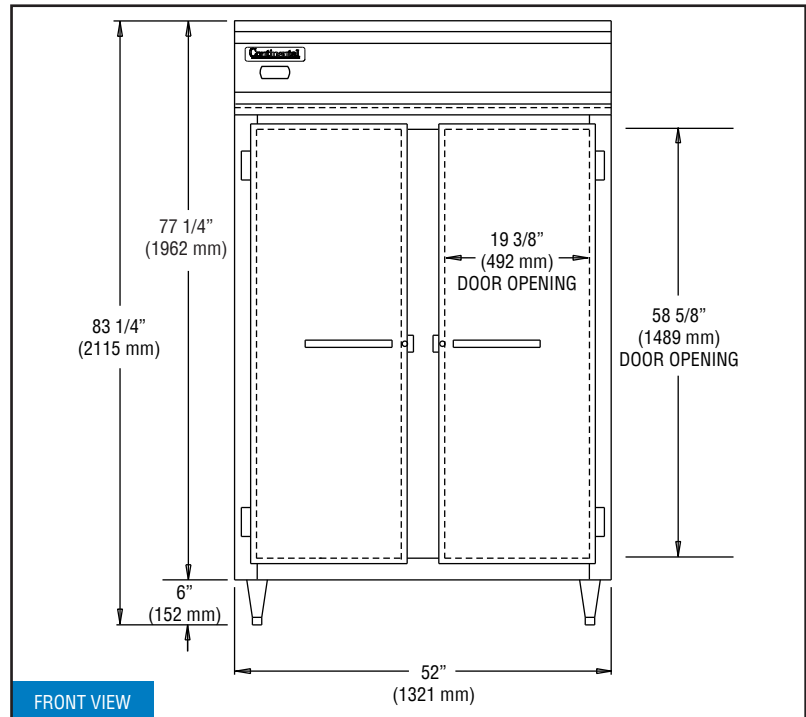
Voltage	208-230/60/1
Feed Wires (including ground)	3
Total Amps (International)	10.6 (10.6)
Total Wattage @ 208-230 volts	2250
10 ft. Cord/Plug (International)	No (No)

SHIPPING DATA

Height - Crated (inches)	85 1/2 (2172 mm)
Width - Crated (inches)	64 (1626 mm)
Depth - Crated (inches)	42 (1067 mm)
Volume - Crated (cubic feet)	133 (3766 cu l)
Weight Std - Crated (pounds)	433 (196 kg)
Weight SS - Crated (pounds)	455 (206 kg)

Figures in parentheses reflect metric equivalents rounded to the nearest whole unit.

Model Plan Views



IMPORTANT NOTE: If the cabinet is located directly against a wall and/or under a low ceiling, a minimum clearance of 12" is required on top and 3" on sides and rear.

Continental
Refrigerator

Toll-Free: 800-523-7138
Phone: 215-244-1400
Fax: 215-244-9579

539 Dunksferry Road
Bensalem, PA 19020
www.continentalrefrigerator.com

Due to our continued efforts in developing innovative products, specifications subject to change without notice.



PROUDLY
DESIGNED & ASSEMBLED
IN THE U.S.A.

Intertek

© Copyright 2021. Continental Refrigerator.
A Division of National Refrigeration & Air Conditioning Products, Inc.

REVISED: 4/29/2024