



T&S BRASS AND BRONZE WORKS, INC.

2 Saddleback Cove / P.O. Box 1088
Travelers Rest, SC 29690

Model No.

B-0712

Item No.

Travelers Rest, SC: 800-476-4103 • Simi Valley, CA: 800-423-0150 • Fax: 864-834-3518 • www.tsbrass.com



ADA Compliant

This Space for Architect/Engineer Approval

Job Name _____ Date _____

Model Specified _____ Quantity _____

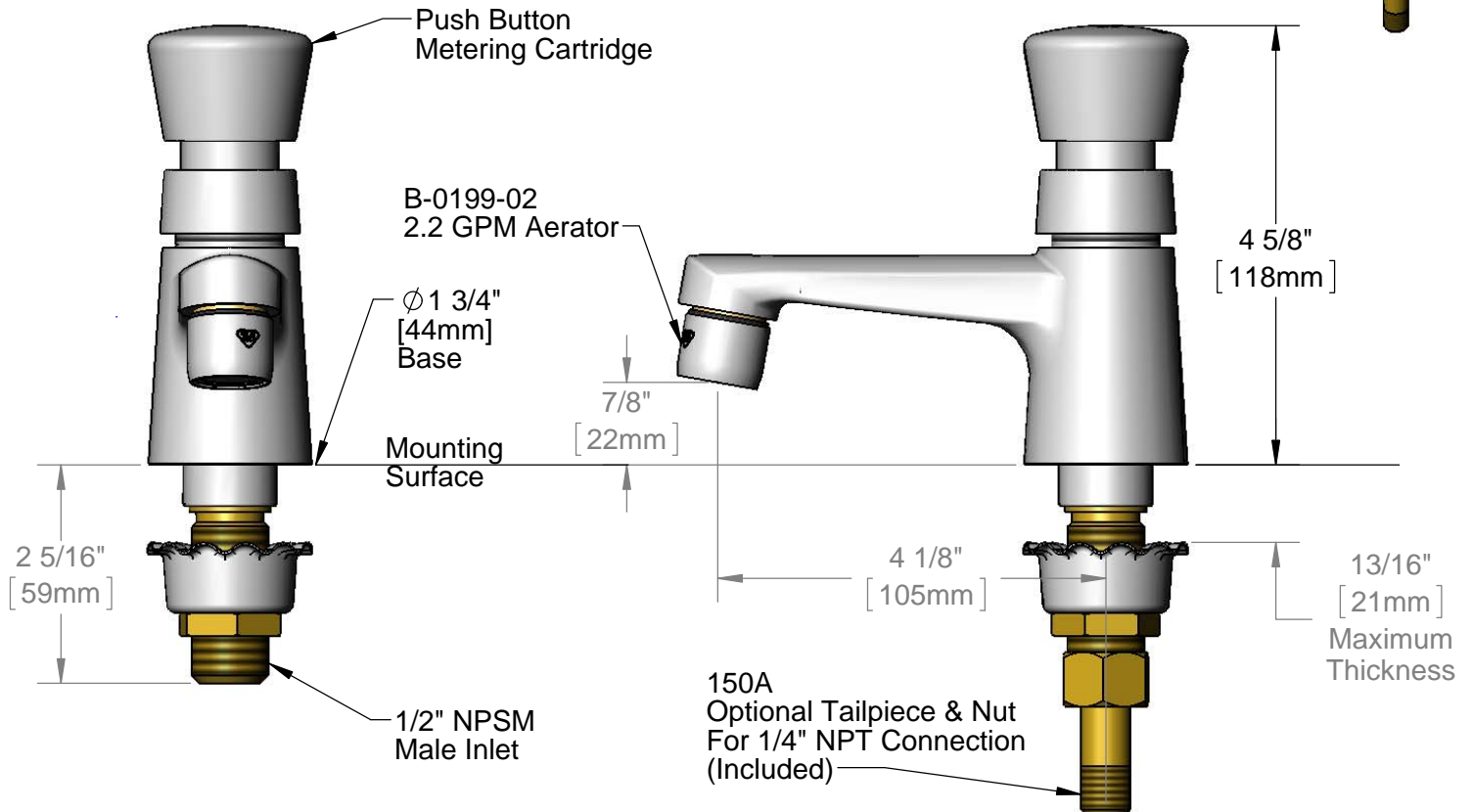
Customer/Wholesaler _____

Contractor _____

Architect/Engineer _____



Spanner Bit for Access to Metering Adjustment (Included)
(Metering Adjustment Requires 3/32" Hex Key)



Rough-In Requirement:
 $\phi 1 \frac{1}{8}$ " [29mm] Mounting Hole

Product Specifications:
Single Hole Single Temperature Deck Mount Basin Faucet, Push Button Metering Cartridge, 2.2 GPM Aerator & 1/2" NPSM Male Inlet

Product Compliance:
ASME A112.18.1 / CSA B125.1
NSF 61 - Section 9
NSF 372 (Low Lead Content)
ANSI A117.1 (ADA)

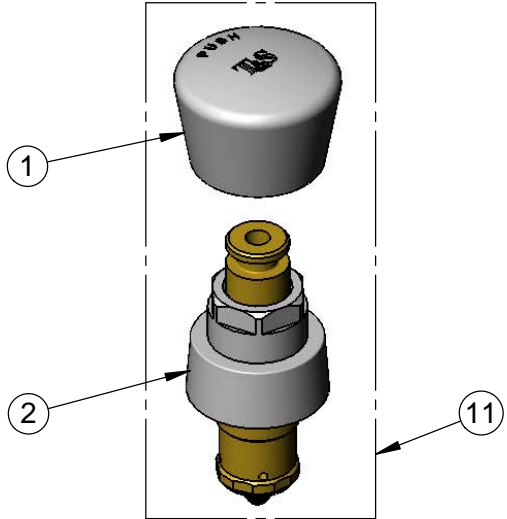


T&S BRASS AND BRONZE WORKS, INC.
 2 Saddleback Cove / P.O. Box 1088
 Travelers Rest, SC 29690

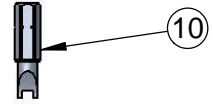
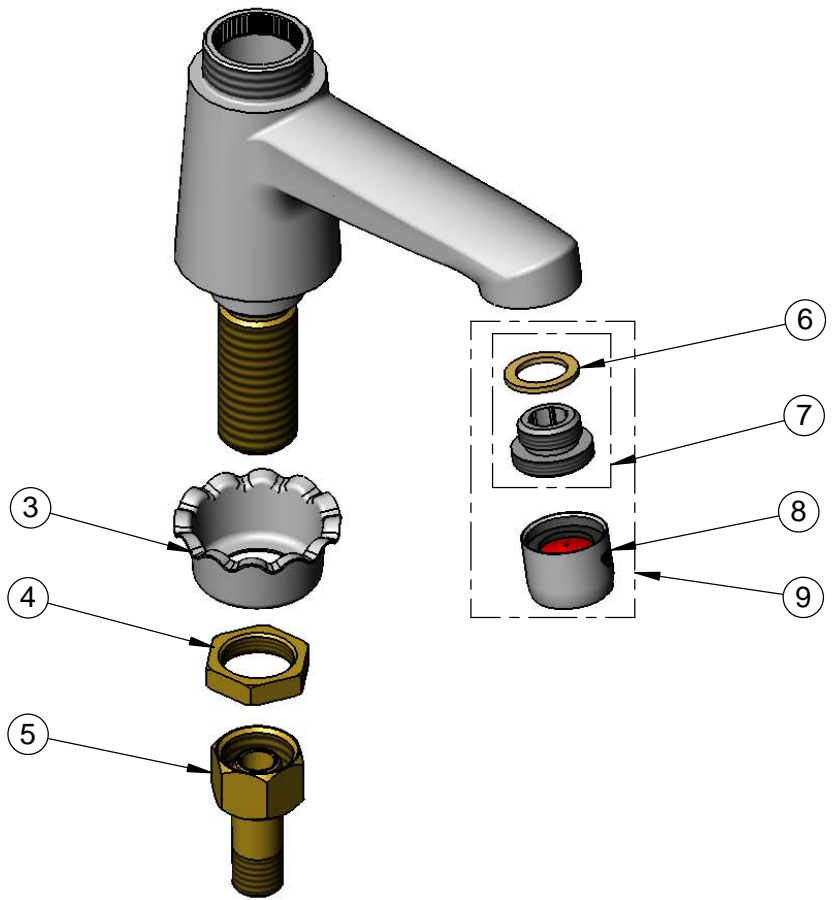
Model No.
B-0712

Item No.

Travelers Rest, SC: 800-476-4103 • Simi Valley, CA: 800-423-0150 • Fax: 864-834-3518 • www.tsbrass.com



| ITEM NO. | SALES NO. | DESCRIPTION |
|----------|-----------|---|
| 1 | 014193-40 | Blank Push Button Cap w/ Spanner Bit |
| 2 | 238A | Push Button Metering Cartridge |
| 3 | 001000-45 | Rosette Washer |
| 4 | 002954-45 | Shank Lock Nut |
| 5 | 150A | 1/4" NPT Tailpiece & Nut |
| 6 | 001043-45 | Washer |
| 7 | 044A | 3/8" to Aerator Adapter w/ Washer |
| 8 | B-0199-01 | 2.2 GPM Aerator, 55/64"-27 UN Female |
| 9 | B-0199-02 | 2.2 GPM Aerator, 3/8" NPSM Male |
| 10 | 014734-45 | Spanner Bit, #8 |
| 11 | 238AB | Metering Cartridge w/ Blank Push Button Cap & Spanner Bit |



Product Specifications:
 Single Hole Single Temperature Deck Mount Basin Faucet, Push Button Metering Cartridge, 2.2 GPM Aerator & 1/2" NPSM Male Inlet

Product Compliance:
 ASME A112.18.1 / CSA B125.1
 NSF 61 - Section 9
 NSF 372 (Low Lead Content)
 ANSI A117.1 (ADA)