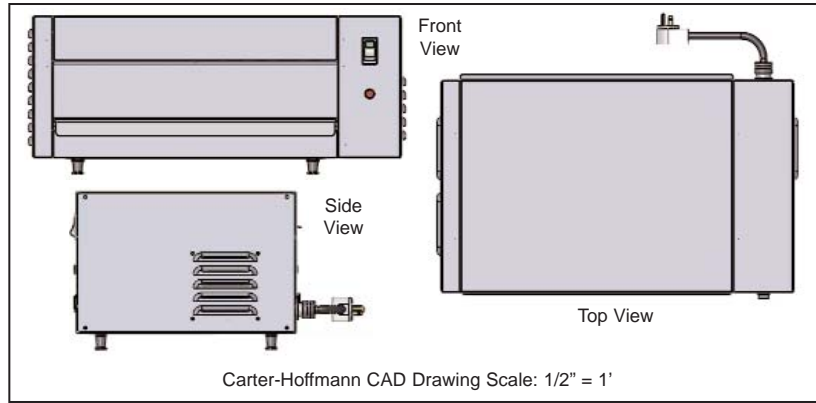




## HEAT-XPRESS FINISHING CABINET Model CGM24



Model Number	Finishing Cavity Dimensions	Electrical Specifications			Overall Dimensions						Shipping Weight	
					Height		Depth		Width			
		volts	watts	Amps	in	mm	in	mm	in	mm	lbs	kg
<input type="checkbox"/> CGM24	14"D x 18"W x 3 <sup>3</sup> / <sub>8</sub> "H	208	2280	10.96	10	254	14 <sup>3</sup> / <sub>8</sub>	365	23 <sup>13</sup> / <sub>16</sub>	605	33 <sup>1</sup> / <sub>2</sub>	15.2

**CONSTRUCTION...**All stainless steel double wall cabinet construction.

**CABINET MATERIAL...**All stainless steel; with polished exterior.

**LEGS...** Four adjustable legs mounted to base of cabinet.

**CAPACITY...** 14"D x 18"W x 3.75"H finishing cavity with opening on both sides for dual access.

**CONTROLS...** On/Off rocker switch on operator's side; green illumination when on. Red power indicating lights front and back of unit; illuminate when food is placed in finishing chamber and 100% power is activated. 100% power activated when product is placed in chamber.

**HEATING SYSTEM...** Infrared quartz elements protected by guard cage. Idle energy usage at 50% of total power for energy savings. Placement of product inside the finishing chamber boosts power to 100%; red power lights illuminate when activated. Components cooled by fan.

**ELECTRICAL CHARACTERISTICS...** Operates on 208 volts, 60 cycle, 2280 watts, 10.96 amps. Six foot 3 wire rubber cord with 3 prong grounding plug. NEMA 6-20P.

**PERFORMANCE...** Capable of heating to 400°F (204°C). Heats to 375°F (190°C) in 45 seconds. No pre-heat needed.

**OPTIONS & ACCESSORIES**

240 volts, 2280 watts, 9.5 amps (CE version; specify model number CGM24-240)

# SPECIFICATIONS

Specifications subject to change through product improvement & innovation.

**CARTER-HOFFMANN**

1551 McCormick Ave., Mundelein, IL 60060  
(847) 362-5500 • (800) 323-9793 • Fax (847) 367-8981  
[www.carter-hoffmann.com](http://www.carter-hoffmann.com)



# FEATURES & BENEFITS

1551 McCormick Avenue, Mundelein, Illinois 60060  
Tel. (847)362-5500 • (800)323-9793 • Fax (847)367-8981  
[www.carter-hoffmann.com](http://www.carter-hoffmann.com)



## HEAT-XPRESS FINISHING CABINET

*Since 1947, Foodservice Equipment That Delivers!*

**FINISHING CHAMBER...** Heats instantly for fast finishing of entrees and appetizers. Size will accommodate most standard plates and platters.

**INFRARED QUARTZ HEATER...** Generates intense heat almost instantly. Emits nearly pure radiant heat with less energy waste than halogen elements. Idle energy usage at 50%. Activated to 100% when product is placed in the finishing chamber.

**LIGHTWEIGHT SPACE-SAVING DESIGN...** Small footprint takes up minimal counter space.



Cabinet Front



Cabinet Rear

**PASS-THROUGH...** The Heat-Xpress finishing cabinet is equipped with a field-removable rear panel to convert the operation of the unit to dual-sided, pass-through access.

**ALL STAINLESS STEEL CABINET WITH NO MOVING PARTS...** For durability and easy cleaning.

### HEAT-XPRESS BENEFITS...

Improve food appearance and temperature is improved in an instant. Perfect for adding the final touch to entrees, appetizers and other dishes.

