

# 64oz Blk Hndl Glass Decanter (3pk)

0.0" x 0.0" x 0.0"  
(0.0cm x 0.0cm x 0.0cm)

\*Feature points are currently unavailable.\*



Agency:

## Specifications

Product #: 42400.0103

Handle: Black

## Additional Features

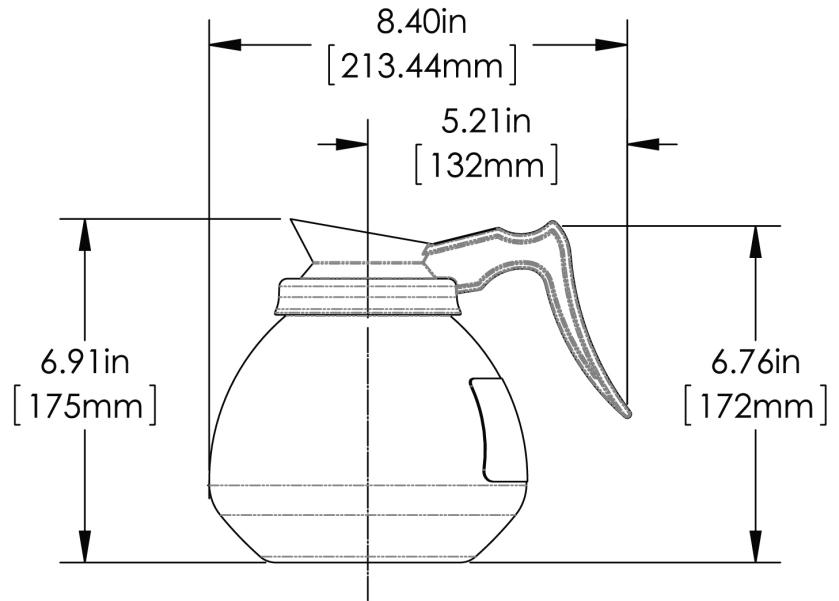
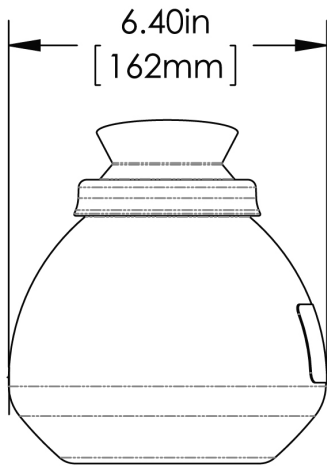
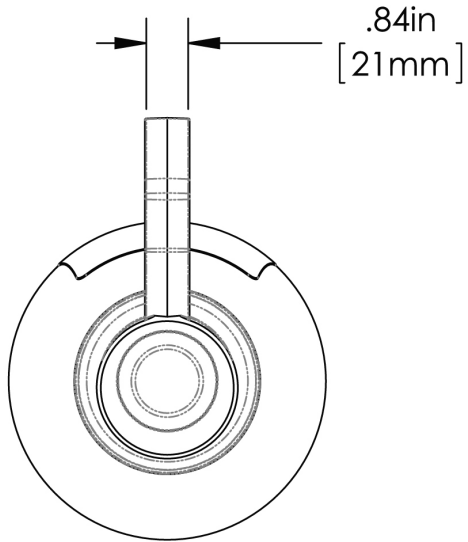
## Holding Capacity

English	Metric
-	-



BUNN® reserves the right to change specifications and product design without notice. Such revisions do not entitle the buyer to corresponding changes, improvements, additions or replacements for previously purchased equipment. For most current specifications and other info visit [bunn.com](http://bunn.com).

Created on:  
09/14/2017



	Unit			Shipping				
	Width	Height	Depth	Width	Height	Depth	Weight	Volume
English	-	-	-	-	-	-	3.750 lbs	0.568 ft <sup>3</sup>
Metric	-	-	-	-	-	-	1.701 kgs	0.016 m <sup>3</sup>



BUNN® reserves the right to change specifications and product design without notice. Such revisions do not entitle the buyer to corresponding changes, improvements, additions or replacements for previously purchased equipment. For most current specifications and other info visit [bunn.com](http://bunn.com).

Created on:  
09/14/2017

# Related Products & Accessories: 64oz Blk Hndl Glass Decanter (3pk)(42400.0103)



WX2, 120V

Product #: 06310.0004



PARRILLA

Product #: 06310.0004



WX2A, 230V 50/60HZ

Product #: 06310.0006



STOVE, WX2 120V/200W

Product #: 06310.6000



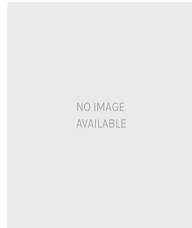
WX1, 120V

Product #: 06450.0004



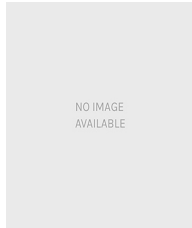
STOVE, WX1 120V/100W

Product #: 06450.6000



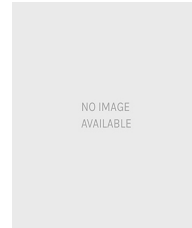
WL2, 120V

Product #: 11402.0001



STOVE, WL2-120V/200W

Product #: 11402.6000



STOVE, WS2-120V/200W

Product #: 12882.6000



BUNN® reserves the right to change specifications and product design without notice. Such revisions do not entitle the buyer to corresponding changes, improvements, additions or replacements for previously purchased equipment. For most current specifications and other info visit [bunn.com](http://bunn.com).

Created on:  
09/14/2017