

APPLICATION:

PRODUCT NAME:
PIPE TO HOSE ADAPTER TEE
CHEMICAL / TEE

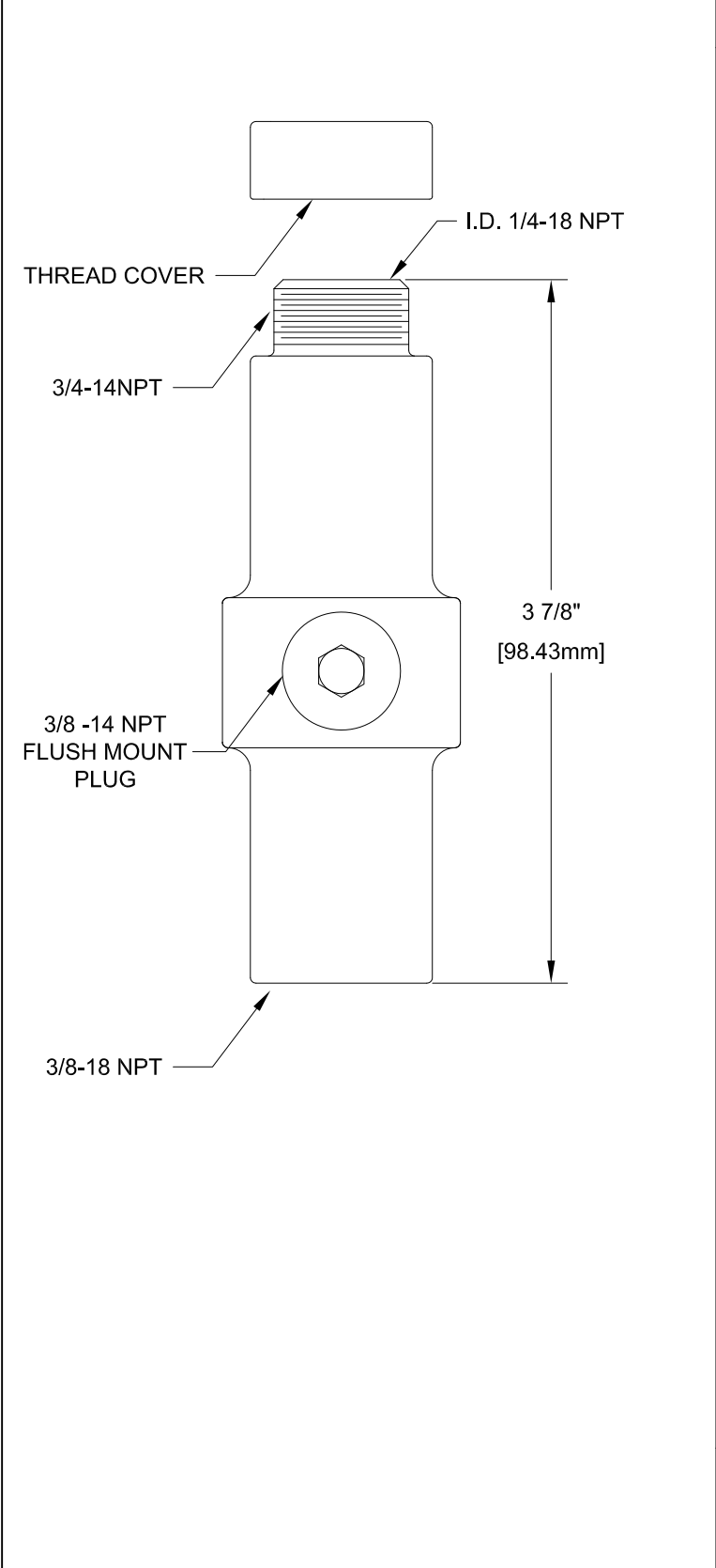
JOB NAME:

SPECIAL CONFIGURATION
 CHECK BASE MODEL AND OPTIONS

QUANTITY:

ITEM NO.

MODEL:
 72813



FEATURES

- * ATTRACTIVE DESIGN
- * LESS OBSTRUCTION / NO NEED FOR LONGER HOSE
- * FITS ALL BRANDS
- * COMMERCIAL DURABILITY / ALL STAINLESS STEEL
- * SPEEDS INSTALLATION / REDUCES PLUMBING LOBOR
- * FLUSH MOUNT 3/8" NPT PLUG INCLUDED

SYSTEM LIMITS

- * TEMP: 40°F MIN. TO 140°F MAX.
- * PRESSURE: 200 PSI MAX. STATIC

SHIPPING WEIGHT

- * 1.5 LBS

ANSI/A112.18.1M

FISHER
 FISHER MANUFACTURING COMPANY
 TOLL FREE: 800-421-6162 - FAX: 800-832-8238
 information@fisher-mfg.com - www.fisher-mfg.com