

Blueair by  
BLUENIX

# MODEL BLUF28-WT-HC WORKTOP FREEZER



### Stainless steel cabinet construction

Stainless steel interior and exterior (galvanized steel back & bottom).



### Temperature range between -5°F ~ 10°F

Air guard on rear wall ensures proper air circulation and cooling.



### Hydrocarbon refrigerants (R-290)

Increases energy HFC refrigerants. It is safer for the environment and does not cause ozone depletion.



### Visual and audible door open alarm

Alarm sounds when doors are not completely closed to protect against food spoilage



### Cabinet Dimensions (inches/mm)

L	D	H
27 11/16" 703 mm	33" 839 mm	41 27/32" 1063 mm

### Weight (lbs/kg)

Net Weight 156 lbs 71 kg	Ship Weight 195 lbs 88.3 kg
--------------------------------	-----------------------------------

## Cabinet construction

- Cyclopentane Insulation – Contains no hydro-fluorocarbons (HFCs) and is environmentally friendly.
- Epoxy coated wire shelves with adjustable shelving height.
- 6" back splash guard
- 2 shelves per compartment.
- Four 4" Diameter swivel casters with front brakes standard.

## Refrigeration

- Self-contained system, rear mounted compressor.
- Electrodeposition coated evaporator increases performance by maintaining the heat transfer rates over the life of the evaporator and reducing potential corrosion.
- Innovative hot gas frame heating system reduces condensation and increases energy.

## Design & Features

- Self-diagnostic digital temperature control & monitor system.
- Digital display allows for easy monitoring.
- Digital controls include manual defrost for easy maintenance.
- Rounded corner design gives a stylish appearance and reduces chances of injury.

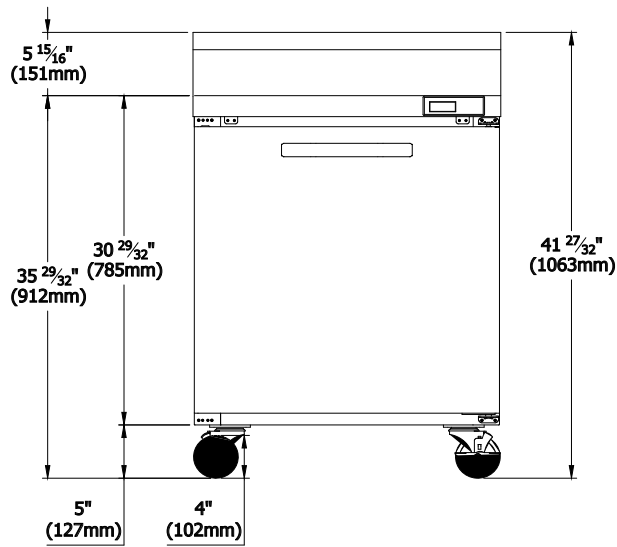
## Doors

- Self-closing doors
- Durable door gasket with easy replacement.
- Lifetime guaranteed heavy duty all metal door handles. (Ni-Cr Plated)

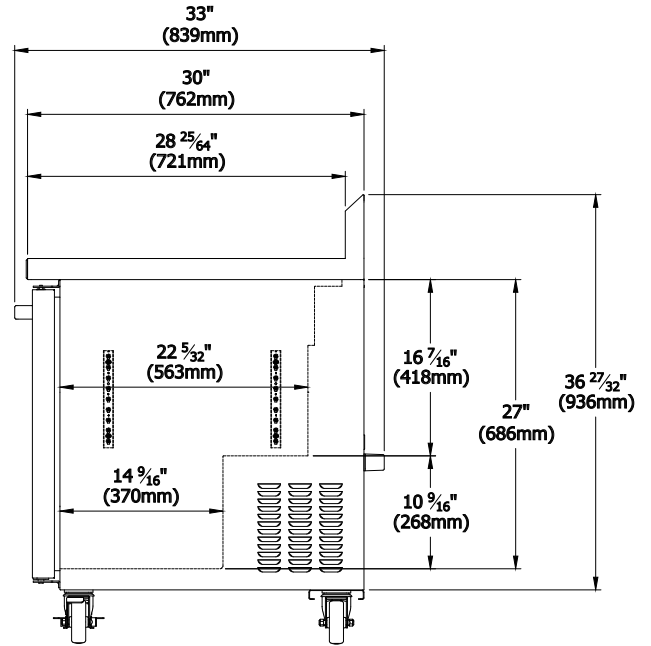
## Optional Features & Accessories

- 2.5" diameter casters available.
- Additional shelves are available.

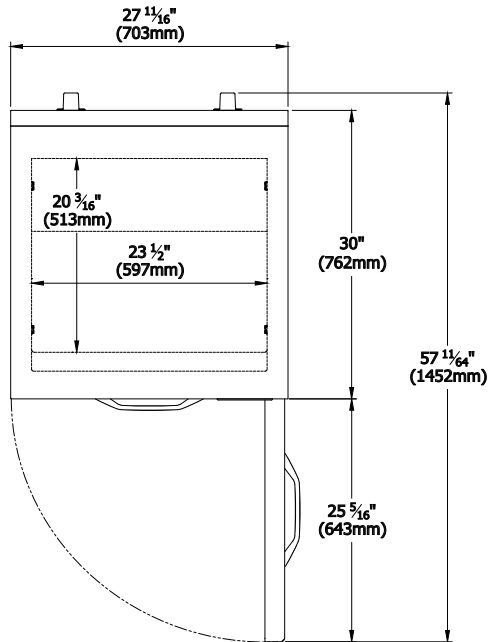
Front view



Side view



Top view



Doors	1
Capacity Cu.Ft.	7
Shelves	2
Refrigerant	R-290
Temperature Range	-5°F ~ 10°F
Easy Maintenance	Sliding Condensing Unit
Connection	9.8 ft long (3m) flexible three wire cord with modeled plug
HP	1/4 HP
Voltage	115V/60Hz
Amps	3.2
NEMA Config.	NEMA 5-15



- This product may expose you to chemicals including Diisononyl Phthalate(DINP), which is known to the State of California to cause cancer. For more information go to [www.P65Warnings.ca.gov](http://www.P65Warnings.ca.gov).  
 - Ce produit peut vous exposer à des agents chimiques incluant le Diisononyl Phthalate(DINP), reconnu par l'Etat de Californie comme causant le cancer. Pour de plus amples renseignements, consulter le site [www.P65Warnings.ca.gov](http://www.P65Warnings.ca.gov).



Conforms to NSF/ANSI 7(ETL)

Blue Air has right to change specifications without further notice.



[blueairfse.com](http://blueairfse.com)



[orders@blueairfse.com](mailto:orders@blueairfse.com)



1-886-677-8500



223 W. Rosecrans Ave., CA 90248  
T: 310-808-0102

9 W. Shelton Terrace #A, Hillside, NJ 07205  
T: 908-688-0970