

Glastender®

A family company manufacturing in the USA

www.glastender.com



DI-HS12



DI-HS14



Intertek

4004503

Conforms to NSF/ANSI STD 2
Certified to CSA STD B45.4

Project: _____	AIA# _____
Item #: _____ Qty: _____	SIS# _____
Model #: _____	

Drop-In Hand Sinks

DI-HS	DI-HS12, DI-HS12-LF, DI-HS14, DI-HS14-LF
--------------	--

Standard Features

- Manufactured with total welded construction to meet all NSF® standards
- All stainless steel construction
- Unique hemmed edge for added strength and visual appeal
- 9-1/4" by 11-1/2" by 6" deep sink bowl
- Includes four 1/4-20 x 1-1/2" studs for mounting to countertop
- Includes 1-1/2" IPS drain fitting
- Heavy-duty faucet is standard (available less faucet by adding the suffix '-LF' to the model number)

All faucets are NSF/ANSI 61, Annex G low lead compliant

Specifications

- Drains**
- 1-1/2" I.P.S. Threaded drain will fit Dearborn part #8033 slipnut and part #W-573P washer.
- Faucet**
- Deck mount on 4" centers, accepts 3/8" sink leads, hot and cold water connections required
- Sink Bowl Dimensions**
- 9-1/4" by 11-1/2" by 6" deep
- Materials**
- 20 gauge stainless steel

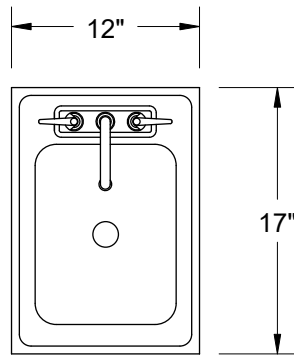
WARNING: The plastic wet waste strainer included with this product can expose you to chemicals including Bisphenol A (BPA), which is known to the State of California to cause birth defects or other reproductive harm. For more information, go to www.P65Warnings.ca.gov. **Warning applies to State of California only.** Part #03000483

To view cleaning and care instructions, please visit: https://www.glastender.com/PDF/F-423-011_ss_clean_care.pdf

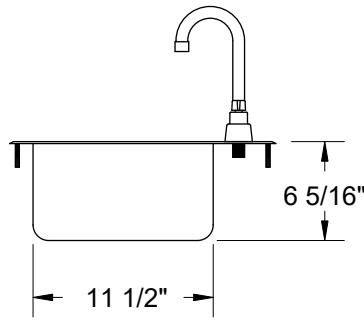
Glastender, Inc. • 5400 N Michigan Rd • Saginaw, MI • 48604-9780 989.752.4275 • 800.748.0423 • Fax 989.752.4444 www.glastender.com	Approval/Notes:
Specifications subject to change without notice. For current specifications please visit our website.	

Drop-In Hand Sinks

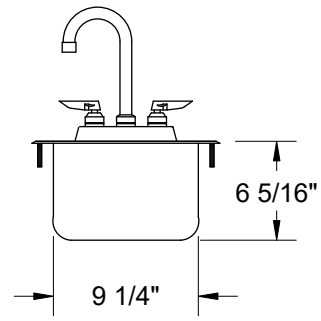
Dimensional Information



PLAN VIEW

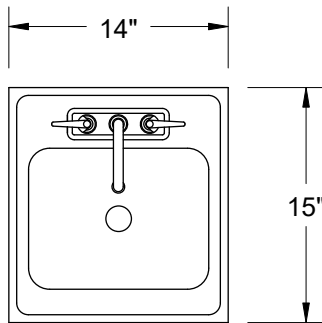


SIDE VIEW

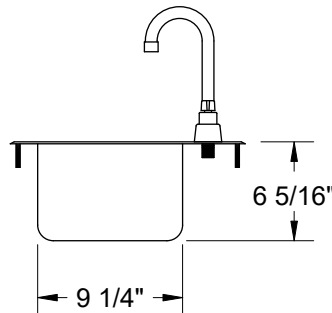


FRONT VIEW

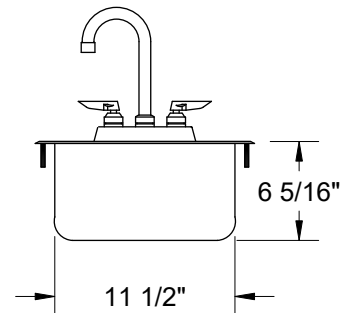
DI-HS12



PLAN VIEW



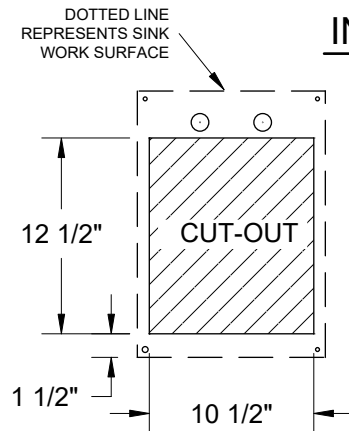
SIDE VIEW



FRONT VIEW

DI-HS14

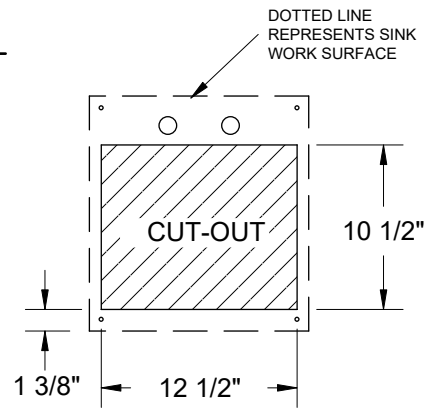
INSTALLATION INFORMATION



DI-HS12

CUT-OUT DIMENSIONS:
 10-1/2" x 12-1/2" FOR SINK BOWL
 TWO 1-1/8" DIAMETER HOLES FOR SINK
 LEADS AND FOUR 5/16" DIAMETER HOLES
 FOR MOUNTING STUDS MUST BE DRILLED
 AT TIME OF SINK INSTALLATION

**NOTE: Tops thicker than 1" will require
 larger holes to make faucet connections.
 The mounting studs provided are for use
 with tops up to 1-1/2" thick.**



DI-HS14

1. Place unit into appropriate size cut-out for specific model number used.
2. Make initial drain connections, especially if access to drain is limited once the unit is in place.
3. To establish proper sanitation operation and to comply with NSF & health codes, this unit must be sealed to the surface to which it is mounted using an NSF listed sealant. Place a bead of sealant along outer edges of the mounting flange and remove any excessive amount. Make sure there are no gaps in the sealant as the intent is to prevent liquid spillage from adjacent surfaces from passing under inaccessible portions of the equipment.
4. Complete plumbing connections.