



STAINLESS STEEL  
SQUARE CORNER SINGLE COMPARTMENT SCULLERY

# BUDGET SINKS WITH 4-1/2" REAR DECK

"400" Series and "600" Series Stainless Steel



4-1-24D Shown



4-41-48D Shown

|            |       |        |       |
|------------|-------|--------|-------|
| Item #:    | _____ | Qty #: | _____ |
| Model #:   | _____ |        |       |
| Project #: | _____ |        |       |

**MATERIAL:**

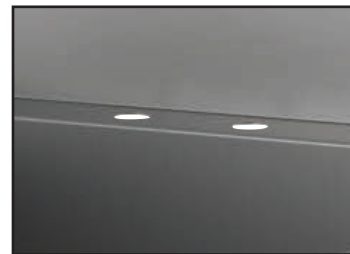
"400" Series is 16 gauge type 430 Series.  
 "600" Series is 16 gauge type 304 Series.  
 14" bowl depth.  
 3-1/2" rear deck.  
 4" back splash.  
 Galvanized tubular legs.  
 1" adjustable plastic bullet feet.

**CONSTRUCTION:**

All heli-arc welded.  
 Welded areas blended to match adjacent surfaces and to a satin finish.

**MECHANICAL:**

Two faucet holes 8" O.C.  
 Waste drains are 1 1/2" IPS basket type and are included.  
 Faucets are not included (see accessories).



8" O.C. Deck Mount  
Faucet Holes Provided

| A   | B   | C   | Bowl Depth | "400" Series<br>16 Ga. S/S "430" | "600" Series<br>16 Ga. S/S "300" | Ship weight |
|-----|-----|-----|------------|----------------------------------|----------------------------------|-------------|
| 21" | 18" | 27" | 14"        | 4-1-18D                          | N/A                              | 47 lbs.     |
| 21" | 24" | 27" | 14"        | 4-1-24D                          | 6-1-24D                          | 53 lbs.     |
| 24" | 24" | 30" | 14"        | 4-41-24D                         | 6-41-24D                         | 53 lbs.     |
| 24" | 36" | 30" | 14"        | 4-41-36D                         | 6-41-36D                         | 66 lbs.     |
| 24" | 48" | 30" | 14"        | 4-41-48D                         | 6-41-48D                         | 79 lbs.     |



Customer Service Available To Assist You 1-800-645-3166 8:30 am - 8:00 pm E.S.T.

For Orders & Customer Service:

Email: customer@advancetabco.com or Fax: 631-242-6900

For Smart Fabrication™ Quotes:

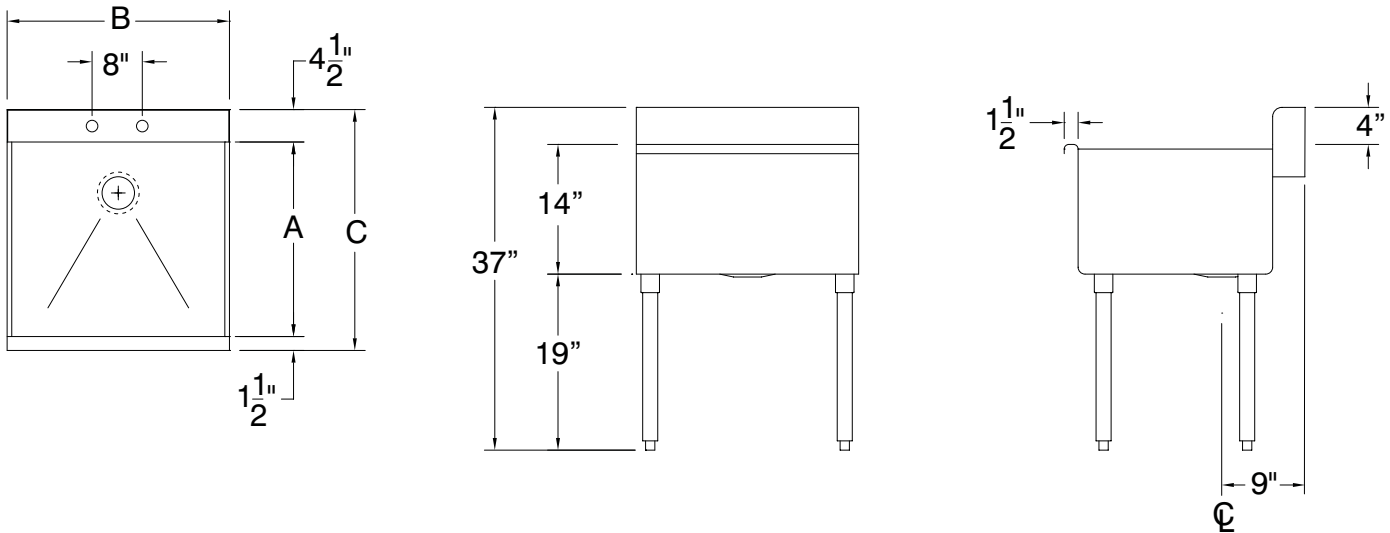
Email: smartfab@advancetabco.com or Fax: 631-586-2933

# DIMENSIONS and SPECIFICATIONS

ALL DIMENSIONS ARE TYPICAL

TOL ± .500"

## BUDGET SINKS WITH 4-1/2" REAR DECK



## BUDGET SINK ACCESSORIES

### DETACHABLE DRAINBOARDS

[Click This Link To View Drainboard Specs](#)



| W x L     | 18 Ga. S/S "430" | Wt.     |
|-----------|------------------|---------|
| 18" x 18" | <b>N-5-818</b>   | 10 lbs. |
| 21" x 18" | <b>N-5-18</b>    | 11 lbs. |
| 21" x 24" | <b>N-5-24</b>    | 12 lbs. |
| 21" x 30" | <b>N-5-30</b>    | 22 lbs. |
| 21" x 36" | <b>N-5-36*</b>   | 25 lbs. |
| 21" x 48" | <b>N-5-48*</b>   | 28 lbs. |
| 24" x 24" | <b>N-54-24</b>   | 18 lbs. |
| 24" x 36" | <b>N-54-36*</b>  | 32 lbs. |
| 24" x 48" | <b>N-54-48*</b>  | 36 lbs. |

\*Drainboards 36" and 48" are supplied with legs for support

### STAINLESS STEEL SINK COVERS FOR ONE COMPARTMENT BUDGET SINKS

[Click This Link To View S/S Cover Specs](#)



Stores Conveniently On Side Of Sink

| Size      | MODEL          | Wt.     |
|-----------|----------------|---------|
| 18" x 18" | <b>LSC-81</b>  | 20 lbs. |
| 21" x 24" | <b>LSC-24</b>  | 21 lbs. |
| 24" x 24" | <b>LSC-242</b> | 22 lbs. |
| 24" x 36" | <b>LSC-36</b>  | 23 lbs. |
| 24" x 48" | <b>LSC-48</b>  | 24 lbs. |

### Deck Mounted 8" O.C. Budget Sink Faucets

| MODEL        | Faucet Style             |
|--------------|--------------------------|
| <b>K-127</b> | 8" Deck Mt. Swing Spout  |
| <b>K-128</b> | 12" Deck Mt. Swing Spout |
| <b>K-129</b> | 14" Deck Mt. Swing Spout |

