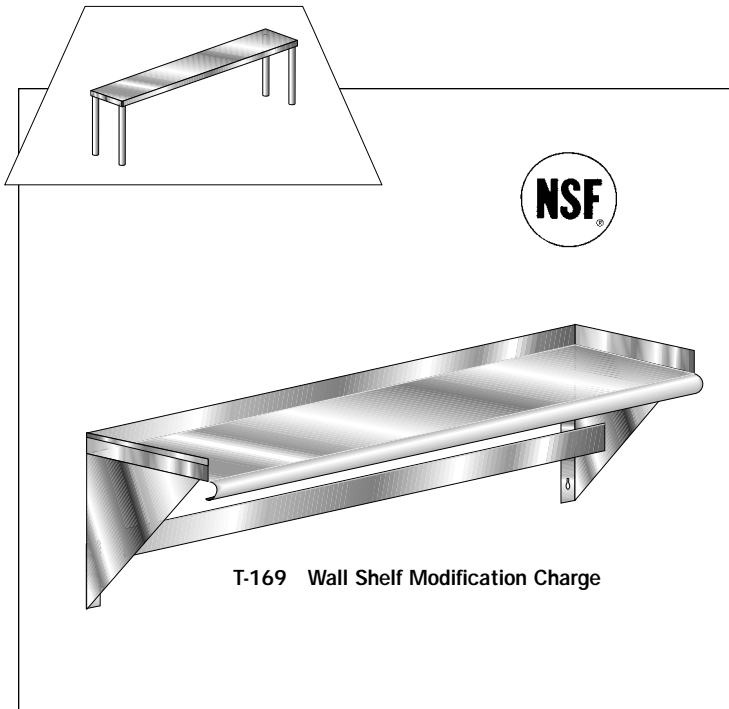




OVERSHELF

WSP SERIES Wall Mounted Shelf w/Pot Rack



T-169 Wall Shelf Modification Charge

MATERIALS

- 4WSP - 16 gauge 430 stainless steel
- 3WSP - 16 gauge 304 stainless steel
- 2WSP - 14 gauge 304 stainless steel
- Brackets - 18 gauge 430 stainless steel.
- Flat bar - 2" x 3/16" 304 stainless steel
- Plated pot hooks (one hook per linear foot).

DESIGN FEATURES

- Traditional design meets consultants specs.
- Shelf has 1 1/2" lip on 3 sides with a 1/4" radius front roll.
- Stainless steel brackets easily mounted to welded studs.
- Easily assembled.

EXCLUSIVE AERO SAFETY EDGE

- Shelves hemmed to eliminate cuts from rough edges.

CONSTRUCTION

- Top is polished to a #4 mill finish.
- All wallshelves shipped set up.
- Wallshelves over 72" in length receive third stainless steel bracket.

Item# _____ Project _____

Quantity	ECONOMY 16GA 430 Model #	DELUX 16GA 304 Model #	AEROSPEC 14GA 304 Model #
10" WIDE			
_____	4WSP-1036	3WSP-1036	2WSP-1036
_____	4WSP-1048	3WSP-1048	2WSP-1048
_____	4WSP-1060	3WSP-1060	2WSP-1060
_____	4WSP-1072	3WSP-1072	2WSP-1072
_____	4WSP-1084	3WSP-1084	2WSP-1084
_____	4WSP-1096	3WSP-1096	2WSP-1096
_____	4WSP-10108	3WSP-10108	2WSP-10108
_____	4WSP-10120	3WSP-10120	2WSP-10120
_____	4WSP-10132	3WSP-10132	2WSP-10132
_____	4WSP-10144	3WSP-10144	2WSP-10144

12" WIDE			
_____	4WSP-1236	3WSP-1236	2WSP-1236
_____	4WSP-1248	3WSP-1248	2WSP-1248
_____	4WSP-1260	3WSP-1260	2WSP-1260
_____	4WSP-1272	3WSP-1272	2WSP-1272
_____	4WSP-1284	3WSP-1284	2WSP-1284
_____	4WSP-1296	3WSP-1296	2WSP-1296
_____	4WSP-12108	3WSP-12108	2WSP-12108
_____	4WSP-12120	3WSP-12120	2WSP-12120
_____	4WSP-12132	3WSP-12132	2WSP-12132
_____	4WSP-12144	3WSP-12144	2WSP-12144

15" WIDE			
_____	4WSP-1536	3WSP-1536	2WSP-1536
_____	4WSP-1548	3WSP-1548	2WSP-1548
_____	4WSP-1560	3WSP-1560	2WSP-1560
_____	4WSP-1572	3WSP-1572	2WSP-1572
_____	4WSP-1584	3WSP-1584	2WSP-1584
_____	4WSP-1596	3WSP-1596	2WSP-1596
_____	4WSP-15108	3WSP-15108	2WSP-15108
_____	4WSP-15120	3WSP-15120	2WSP-15120
_____	4WSP-15132	3WSP-15132	2WSP-15132
_____	4WSP-15144	3WSP-15144	2WSP-15144

18" WIDE			
_____	4WSP-1836	3WSP-1836	2WSP-1836
_____	4WSP-1848	3WSP-1848	2WSP-1848
_____	4WSP-1860	3WSP-1860	2WSP-1860
_____	4WSP-1872	3WSP-1872	2WSP-1872
_____	4WSP-1884	3WSP-1884	2WSP-1884
_____	4WSP-1896	3WSP-1896	2WSP-1896
_____	4WSP-18108	3WSP-18108	2WSP-18108
_____	4WSP-18120	3WSP-18120	2WSP-18120
_____	4WSP-18132	3WSP-18132	2WSP-18132
_____	4WSP-18144	3WSP-18144	2WSP-18144

CUSTOM SIZES AVAILABLE

AT AERO
WE PROVIDE
CUSTOM EQUIPMENT
AT PRODUCTION PRICES!

BUILT TO LAST A LIFETIME

email - sales@aeromfg.com

AERO MANUFACTURING COMPANY • 310 ALLWOOD ROAD, CLIFTON, NEW JERSEY 07012 • VOICE 973.473.5300 FAX 973.473.3794

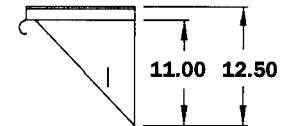
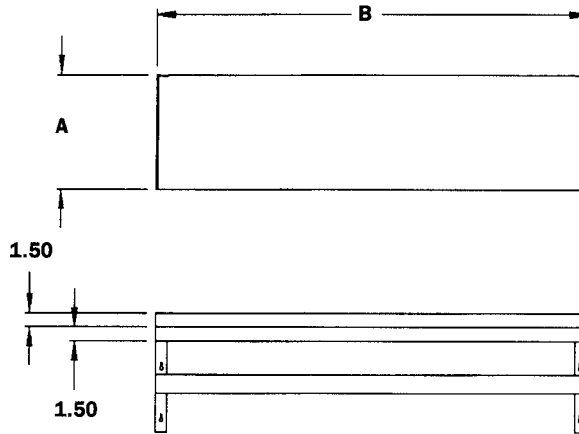


DIMENSIONAL SPECIFICATIONS

W SERIES Wall Mounted/BW SERIES Budget Wall Mounted



T-169 Wall Shelf Modification Charge



A Width	B Length	ECONOMY 16GA 430 Model #	DELUX 16GA 304 Model #	AEROSPEC 14GA 304 Model #	Ship Weight	Cubic Feet
10" WIDE						
10	36	4WSP-1036	3WSP-1036	2WSP-1036	20	3
10	48	4WSP-1048	3WSP-1048	2WSP-1048	30	3
10	60	4WSP-1060	3WSP-1060	2WSP-1060	40	4
10	72	4WSP-1072	3WSP-1072	2WSP-1072	50	5
10	84	4WSP-1084	3WSP-1084	2WSP-1084	60	6
10	96	4WSP-1096	3WSP-1096	2WSP-1096	70	7
10	108	4WSP-10108	3WSP-10108	2WSP-10108	80	8
10	120	4WSP-10120	3WSP-10120	2WSP-10120	90	8
10	132	4WSP-10132	3WSP-10132	2WSP-10132	100	9
10	144	4WSP-10144	3WSP-10144	2WSP-10144	110	10
12" WIDE						
12	36	4WSP-1236	3WSP-1236	2WSP-1236	20	3
12	48	4WSP-1248	3WSP-1248	2WSP-1248	30	4
12	60	4WSP-1260	3WSP-1260	2WSP-1260	40	5
12	72	4WSP-1272	3WSP-1272	2WSP-1272	50	6
12	84	4WSP-1284	3WSP-1284	2WSP-1284	60	7
12	96	4WSP-1296	3WSP-1296	2WSP-1296	70	8
12	108	4WSP-12108	3WSP-12108	2WSP-12108	80	9
12	120	4WSP-12120	3WSP-12120	2WSP-12120	90	10
12	132	4WSP-12132	3WSP-12132	2WSP-12132	100	11
12	144	4WSP-12144	3WSP-12144	2WSP-12144	110	12
15" WIDE						
15	36	4WSP-1536	3WSP-1536	2WSP-1536	20	4
15	48	4WSP-1548	3WSP-1548	2WSP-1548	30	5
15	60	4WSP-1560	3WSP-1560	2WSP-1560	40	6
15	72	4WSP-1572	3WSP-1572	2WSP-1572	50	8
15	84	4WSP-1584	3WSP-1584	2WSP-1584	60	9
15	96	4WSP-1596	3WSP-1596	2WSP-1596	70	10
15	108	4WSP-15108	3WSP-15108	2WSP-15108	80	11
15	120	4WSP-15120	3WSP-15120	2WSP-15120	90	13
15	132	4WSP-15132	3WSP-15132	2WSP-15132	100	14
15	144	4WSP-15144	3WSP-15144	2WSP-15144	110	15
18" WIDE						
18	36	4WSP-1836	3WSP-1836	2WSP-1836	20	5
18	48	4WSP-1848	3WSP-1848	2WSP-1848	30	6
18	60	4WSP-1860	3WSP-1860	2WSP-1860	40	8
18	72	4WSP-1872	3WSP-1872	2WSP-1872	50	9
18	84	4WSP-1884	3WSP-1884	2WSP-1884	60	11
18	96	4WSP-1896	3WSP-1896	2WSP-1896	70	12
18	108	4WSP-18108	3WSP-18108	2WSP-18108	80	14
18	120	4WSP-18120	3WSP-18120	2WSP-18120	90	15
18	132	4WSP-18132	3WSP-18132	2WSP-18132	100	17
18	144	4WSP-18144	3WSP-18144	2WSP-18144	110	18

All dimensions are typical (tol. ±1/8"). • For Accessories and Options see pages TS-5A, TS-5B.

email - sales@aeromfg.com

AERO MANUFACTURING COMPANY • 310 ALLWOOD ROAD, CLIFTON, NEW JERSEY 07012 • VOICE 973473.5300 FAX 973.473.3794