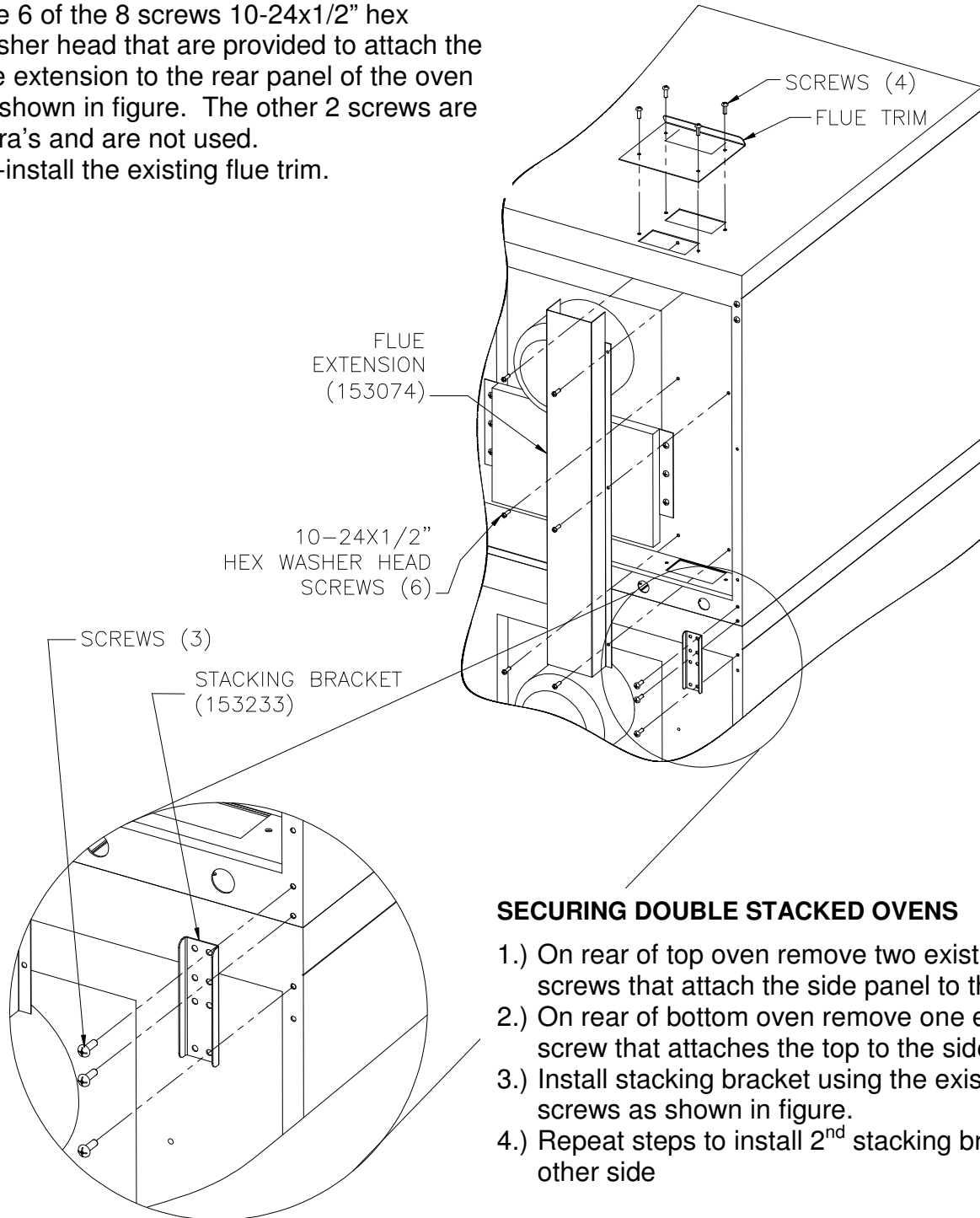


MOUNTING FLUE EXTENSION TO TOP OVEN.

- 1.) Remove existing flue trim from the top of oven.
- 2.) Insert flue extension thru top opening 1st and then align holes on flue extension with holes on rear panel of oven.
- 3.) Use 6 of the 8 screws 10-24x1/2" hex washer head that are provided to attach the flue extension to the rear panel of the oven as shown in figure. The other 2 screws are extra's and are not used.
- 4.) Re-install the existing flue trim.



SECURING DOUBLE STACKED OVENS

- 1.) On rear of top oven remove two existing screws that attach the side panel to the base.
- 2.) On rear of bottom oven remove one existing screw that attaches the top to the side panel.
- 3.) Install stacking bracket using the existing screws as shown in figure.
- 4.) Repeat steps to install 2nd stacking bracket on other side