

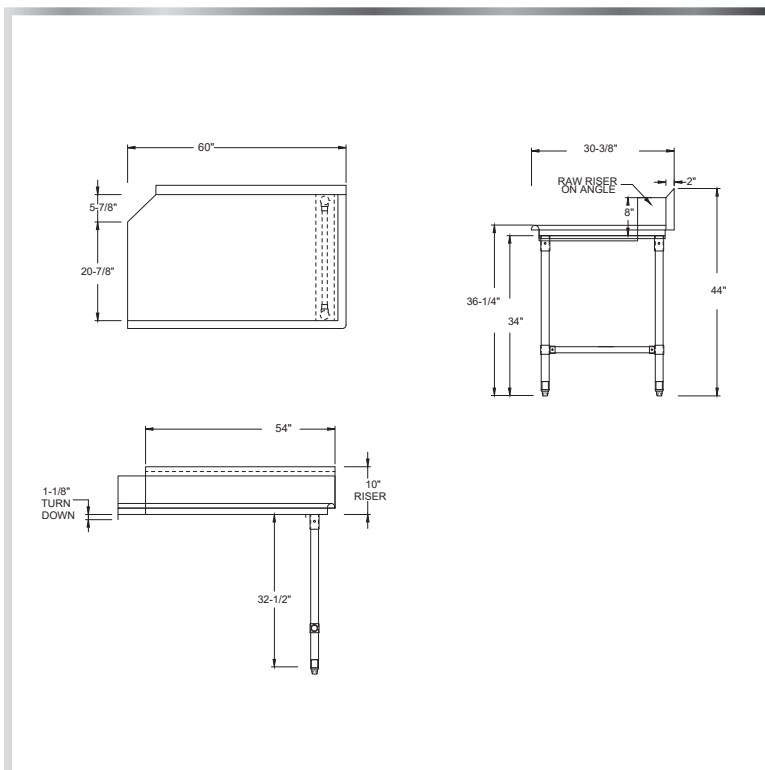
ECONOMY CLEAN DISH TABLE (LEFT TO RIGHT OPERATION)



DISH TABLES - CLEAN

MATERIALS

- 18 Gauge 300 Series Stainless Steel Top
 - Galvanized Legs and Gussets
 - Plastic Bullet Feet



FEATURES

- Straight Design
- 10" Backsplash with 2" Return to Wall At 45°
- Rolled Front and Side Edges
- Adjustable Bracing and Bullet Feet

MODEL NUMBER	LENGTH	WIDTH
CDT-26R	26"	30-3/8"
CDT-36R	36"	30-3/8"
CDT-48R	48"	30-3/8"
CDT-60R	60"	30-3/8"
CDT-72R	72"	30-3/8"