

WALL-MOUNT HAND SINK

SINKS - HAND



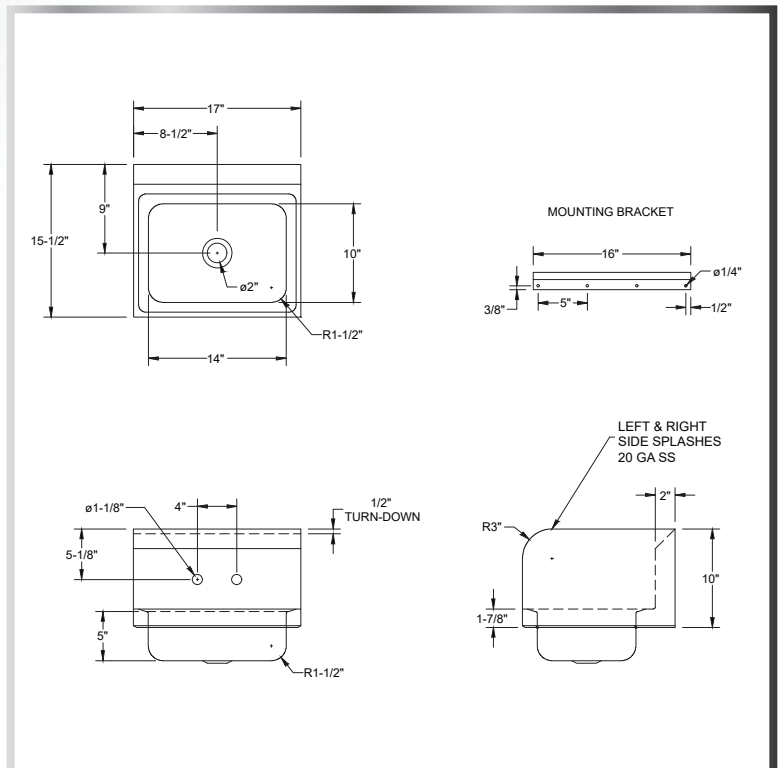
HS2-W2-LR Pictured

MATERIALS

- 18 Gauge 304 Series Stainless Steel; Fabricated

FEATURES

- 4" On-Center Wall-Mounted Holes For Faucet
 - 8" Backsplash
- Includes Drain (STN-2) and Mounting Kit
- * Has Side And Backsplashes



MODEL NUMBER	HAND SINK SIZE
HS2-W2-LR*	14" x 10" x 5"
HS2-W2	14" x 10" x 5"