



Project _____

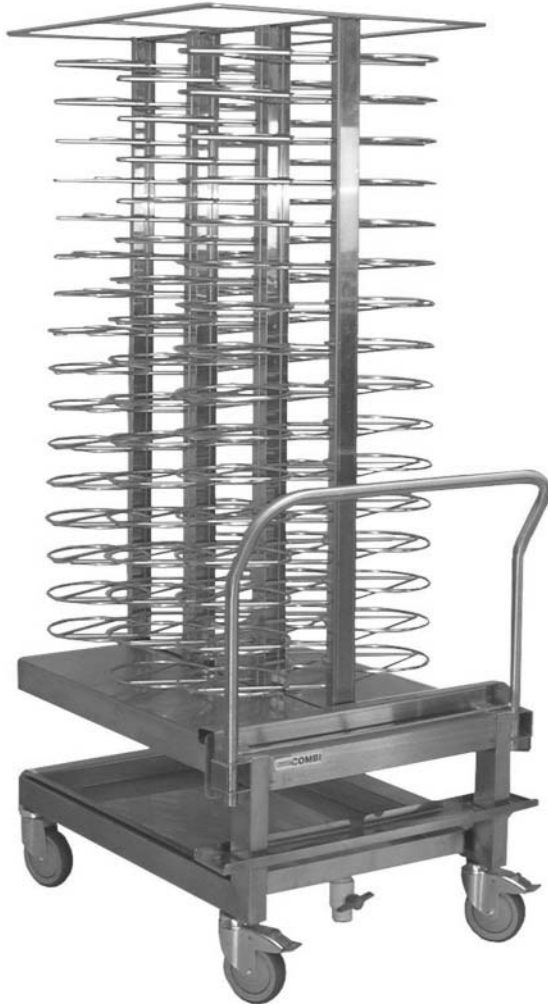
Item No. _____

Quantity _____

BANQUET CART

BANQUET CART

For Floor Model Combi Ovens



STANDARD FEATURES

- 304 stainless steel
- 8.4" (213mm) diameter rings to hold plates
- Capable of being hosed down for cleaning
- Increases production capacity
- 5" (127 mm) heavy duty casters (2 locking, 2 non-locking)
- Drip pan with ball valve for waste removal
- Removable cart handle

STANDARD CHOICES

- Holds 96 plates with standard 3" plate spacing
- Heat retention panels

OPTIONS AND ACCESSORIES

(AT ADDITIONAL CHARGE)

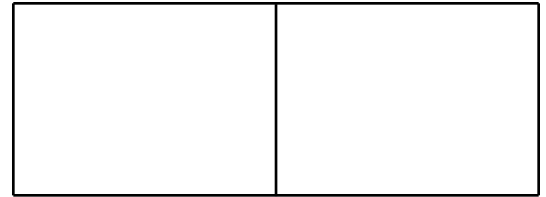
- Custom plate height spacing, please specify
- Insulated thermal cover

BLODGETT OVEN COMPANY

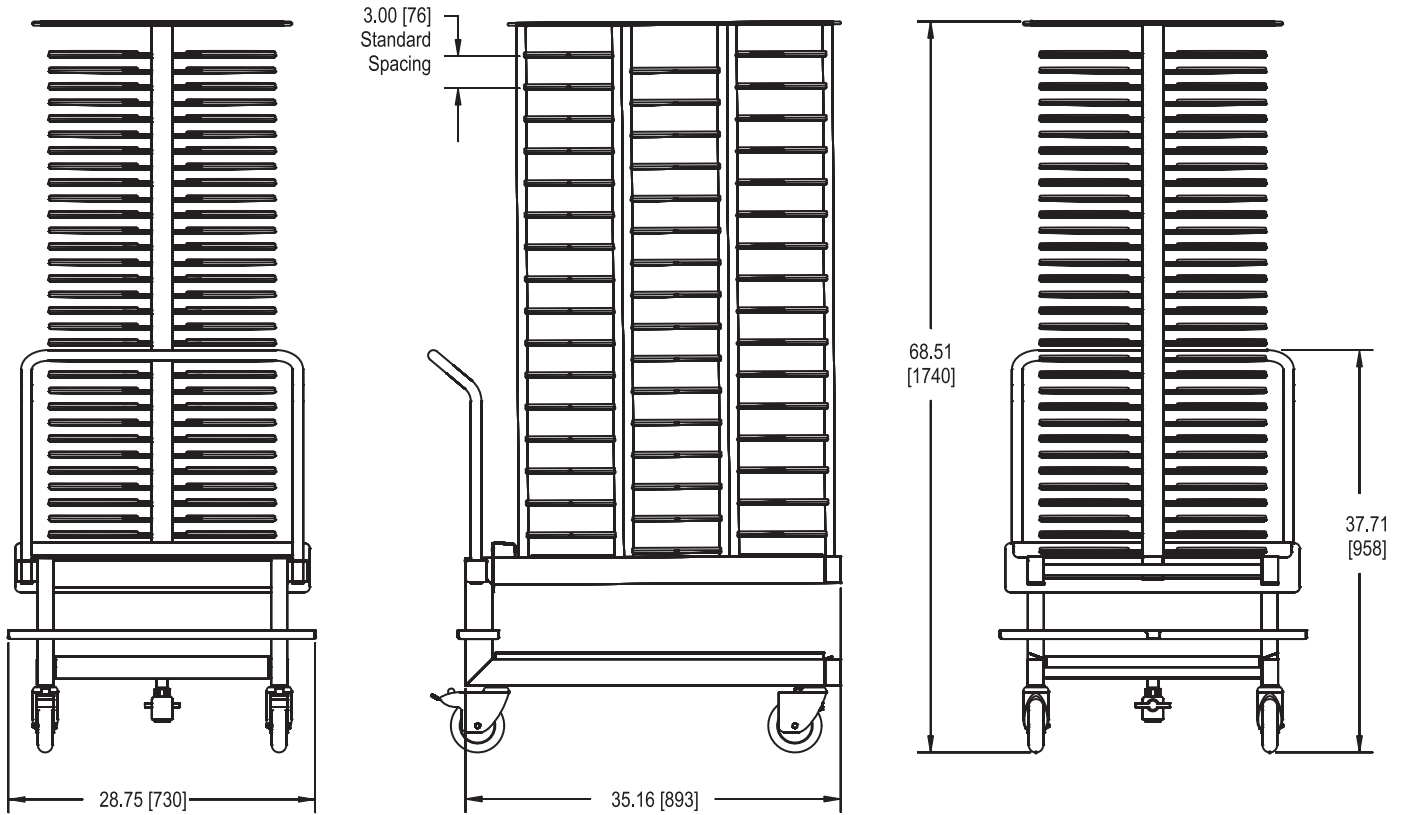
www.blodgett.com

44 Lakeside Avenue, Burlington, VT 05401 • Phone: (802) 658-6600 • Fax: (802) 864-0183

BANQUET CART



APPROVAL/STAMP



DIMENSIONS ARE IN INCHES [MM]

NOTE: The company reserves the right to make substitutions of components without prior notice

BLODGETT OVEN COMPANY

www.blodgett.com

44 Lakeside Avenue, Burlington, VT 05401 • Phone: (802) 658-6600 • Fax: (802) 864-0183