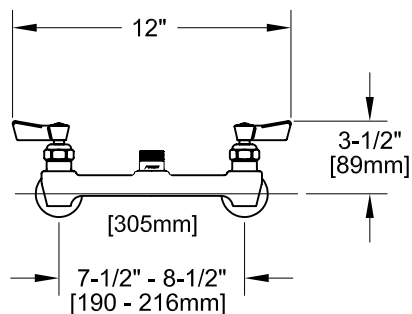
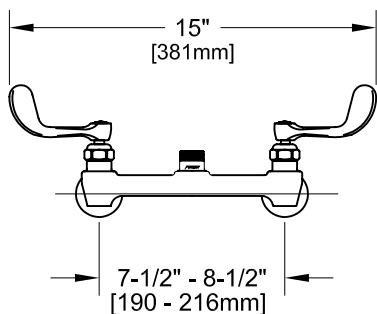


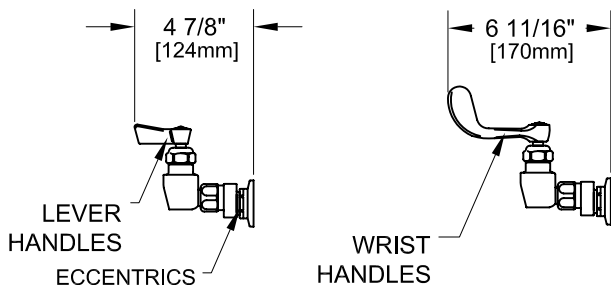
7-1/2" - 8-1/2" ADJ. WALL W/ LEVER HANDLES



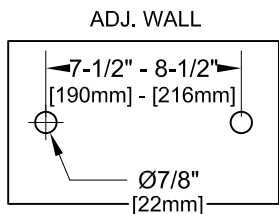
7-1/2" - 8-1/2" ADJ. WALL W/ WRIST HANDLES



7-1/2" - 8-1/2" ADJ. WALL



ROUGH-IN:



PRODUCT NAME: STAINLESS STEEL
8" ADJ. WALL CONTROL VALVE SWIVEL OUTLET

MODEL:

- 61565 W/ SWIVEL STEMS AND LEVER HANDLES
- 61573 W/ SWIVEL STEMS AND WRIST HANDLES

FEATURES

CONTROL VALVE

- * ECCENTRICS ADJUST FROM 7-1/2" TO 8-1/2"
- * SWIVELLING SEAT DISKS
- * HOT SIDE STEM - RIGHT HAND
- * COLD SIDE STEM - LEFT HAND
- * STAINLESS STEEL SEATS
- * STAINLESS STEEL SEAT SCREWS
- * STAINLESS STEEL HANDLE SCREWS

SYSTEM LIMITS

- * TEMP: 40°F MIN. TO 140°F MAX.
- * PRESSURE: 200 PSI MAX. STATIC

SHIPPING WEIGHT

- * 4.0 LBS

* NSF 61-9 APPROVED & LISTED

www.truesdail.com



FISHER MANUFACTURING COMPANY

TOLL FREE: 800-421-6162 - FAX: 800-832-8238

information@fisher-mfg.com - www.fisher-mfg.com