



DIRECT DRAW DISPENSER

PRO-LINE™ 36" - 1 KEG

- Designed by beer-industry experts for performance and value.
- Front breathing for cooling and exhaust.
- Integrated glass rinser: condition the glass before pouring.
- Full-size drain tray – larger work area and improved hygiene.



MDD36-E
Black



MDD36S-E
Stainless Steel



*Adjustable Digital Thermostat!
Easy to read exterior mounted*



Integrated water glass rinser



Listed by Edison Testing Laboratories.
Conforms to UL & NSF Standards.

www.micromatic.com • 1 (866) 327-4159

PRO-LINE™ 36" - 1 KEG

Job Number: _____ Location: _____

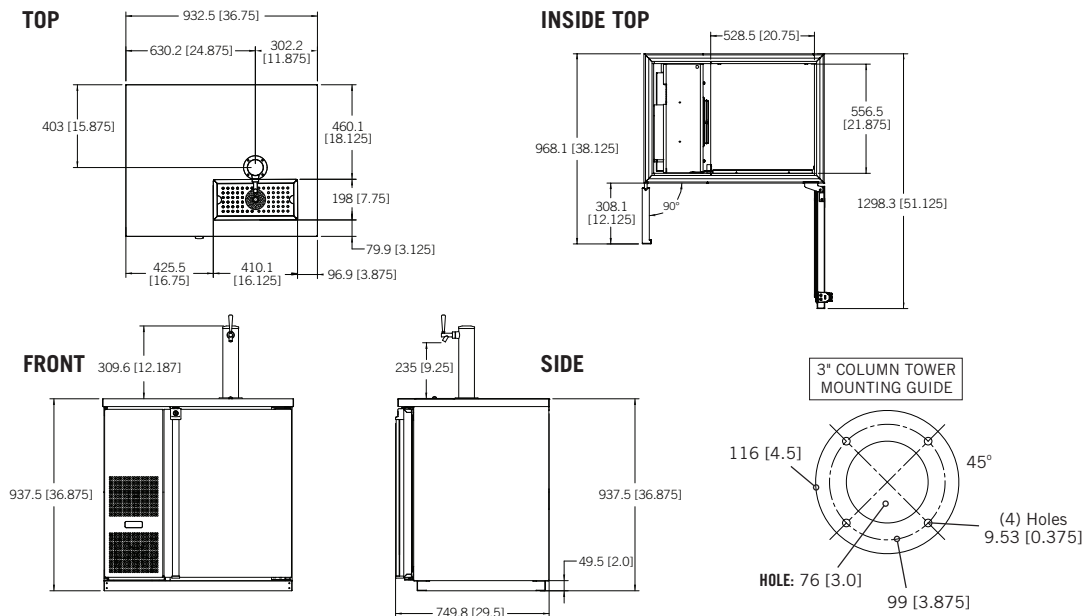
Part No.	Finish	Doors	Shipping Weight
<input type="checkbox"/> MDD36-E	Black with Solid Door	1	78 kg 172 lbs
<input type="checkbox"/> MDD36S-E	Stainless Steel with Solid Door	1	78 kg 172 lbs

Operating Performance

Keg Capacity	1	Running Amps	1.5
Cubic Feet (liters)	23.7 (670)	Voltage	115/60/1
Draft Towers	1	Plug Type	NEMA-5-15P
Faucets	1	Cord Length	8'
Beer Tower Approval	NSF 7.0 & NSF 18	Refrigerant	R290
Approval	ETL Listed	Charge oz	3.5
Compressor HP	1/10	Working High/Low Pressure	300 psig / 150 psig

Exterior	All Models: 18 gauge 201 grade stainless steel (s/s) top, 22 gauge solid doors, 24 gauge steel front, sides and back. Black Models: Front, sides, back and doors black vinyl over steel. S/S Models: Front, sides, back and doors are s/s.
Interior	20 gauge stainless steel floor and walls, rugged false floor, reinforced frame
Ventilation	Front breathing for cooling and exhaust
Plumbing	Automatic condensate evaporator, no drain connection required. Evaporator condensate has been plumbed to a condensate pan located in the compressor housing.
Glass Rinser	15-20 psi water connection. It is recommended a licensed plumber connect the glass rinser to the water supply line. Always use an in-line shut-off and water pressure regulator. Micro Matic shall not be held liable for damage caused by improper installation.
Insulation	Foamed-in-place using high density, CFC-free polyurethane; 2" top, walls and floor
Accessories	Casters or 6" fixed legs (order separately)

Dimensions



 **MICRO MATIC**
Toll-Free: 1-866-327-4159
www.micromatic.com

West
19791 Bahama St.
Northridge, CA 91324
Tel. (818) 701-9765
Fax. (818) 701-9844

Central
10726 North Second St.
Machesney Park, IL 61115
Tel. (815) 968-7557

Southeast
2386 Simon Ct.
Brooksville, FL 34604
Tel. (352) 799-6331

Northeast
4601 Saucon Creek Rd.
Center Valley, PA 18034
Tel. (610) 625-4464
Fax. (610) 625-4466