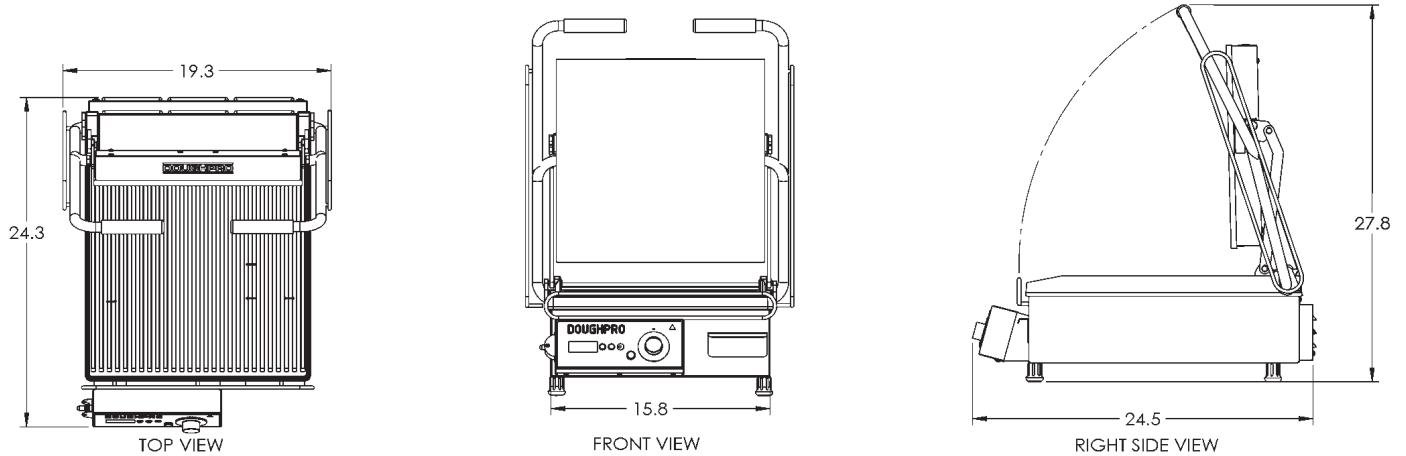


Vantage CS

CSD1515



Equipment Details

Temperature Control	Yes	Shipping Weight	85lbs/20kg
Maximum Heat	525F/274C	Machine Weight	73lbs/33kg
Programmable Timer	Yes	Voltage	120/220/208
Thickness Control	Yes	Wattage	2200/2800
Power Plug	NEMA 5-30P / NEMA 6-20P NEMA CEE7/7	Hertz	50/60
Power Cord Length	72"	Amps	18.3/10/13.5



PROLUXE™

CORPORATE HEADQUARTERS
20281 HARVILL AVE. PERRIS, CA 92570

HELPING COMMERCIAL KITCHENS
PRODUCE GREAT FOOD FASTER

ADVICE AND SUPPORT
1-800-624-6717

Heavy Duty, High Performance Grilling

This heavy duty grill is built to stand up to high production operations. Whether for perfectly grilled tortilla wraps, sandwiches or other quick grilled snacks, these grills do the job where others fail.

Vantage CS
Heavy-Duty Grill
CSD1515



Power Through The Lunch Rush

Engineered for those operators who need a clam shell grill built to take the demands of high production.



EMBEDDED HEATING ELEMENTS LIFETIME LIMITED WARRANTY



EVEN HEAT DISTRIBUTION TECHNOLOGY



HIGH PRODUCTION