



## ENDURO 200

### POST-MIX ICE DRINK DISPENSER



## FEATURES

**Large ice capacity** - 200 lb. ice capacity

**Choices** - Available with 8 UFB-1™ sanitary lever or push button valves

**Merchandising** - Highly efficient LED illuminated merchandiser utilizing a brighter, longer lasting bulb, providing a high impact visual display

**Ice** - Gravity ice dispensing with positive shut-off provides excellent ice targeting  
Ice used to cool cold plate is separate from ice dispensed into cups

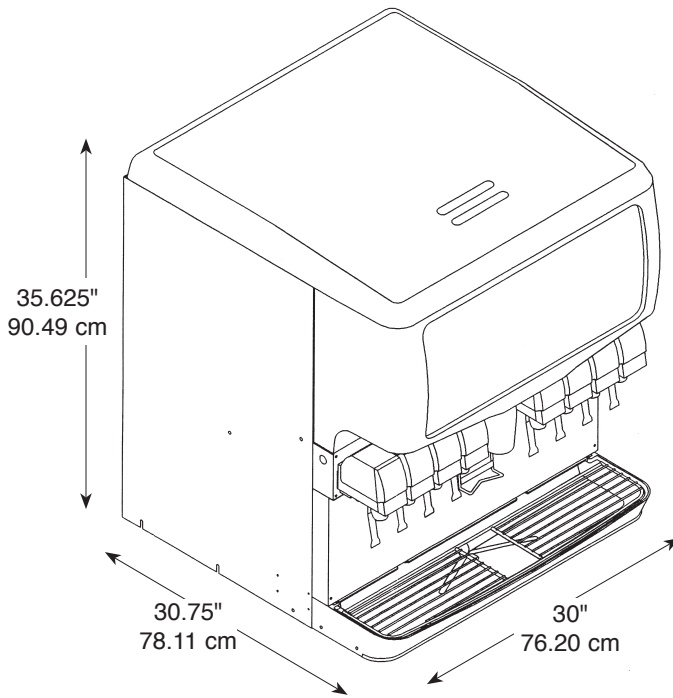
**Durable** - easily changes from carbonated to non-carbonated One piece ABS thermoformed plastic (Durabide™ design) provides durability and ensures all ice in hopper is dispensable

**Flexible** - Unit readily accepts top mount cubers with manual ice fill capability

**Quality** - Stainless steel cabinet

**Ease of Use** - Modular design allows for easy component access from the front of the unit

**TotalFlex™** - easily changes from carbonated to non-carbonated



PART NUMBER	DESCRIPTION
621053108	Ice Drink Dispenser with 8 UFB-1™ 2-4 oz Sanitary Lever Valves
0511152	Ice Drink Dispenser with 8 UFB-1™ 2-4 oz Push Button Valves
621053107	Ice Drink Dispenser with 10 UFB-1™ 2-4 oz Sanitary Lever Valves
621053106	Ice Drink Dispenser with 10 UFB-1™ 2-4 oz Push Button Valves
3473	Drink dispenser stand dimensions: 30"H x 30"W x 30"D

\* If top mounting an ice maker, an ice maker adapter kit is required. Order separately.

## TECHNICAL SPECIFICATIONS

ICE STORAGE CAPACITY . . . . . 200 lb (90.72 kg)

ICE BEVERAGE MANIFOLDING TotalFlex

CUP CLEARANCE . . . . . 10" (25.40 cm)

COOLING CAPACITY . . . . . 10-12 oz drinks/min  
@ 75°F


DRAIN CONNECTION . . . . . 0.75" PVC (NPT) or  
1" I.D. flexible tubing

GRAPHIC DIMENSIONS . . . . . Overall:  
11.083"H x 24.794"W  
Viewable:  
10.608"H x 24.17"W

STANDARD FEATURES . . . . . Beverage key switch,  
Timed ice agitation  
and 4" legs

ELECTRICAL RATING . . . . . 115 V / 60 Hz / 3.5 Amps

SHIPPING WEIGHT . . . . . 310 lb (140.61 kg)

AGENCY LISTINGS . . . . .     
City of Los Angeles

